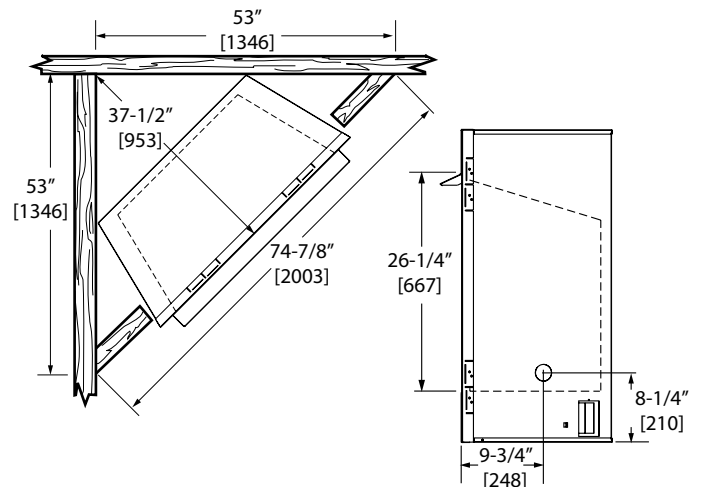
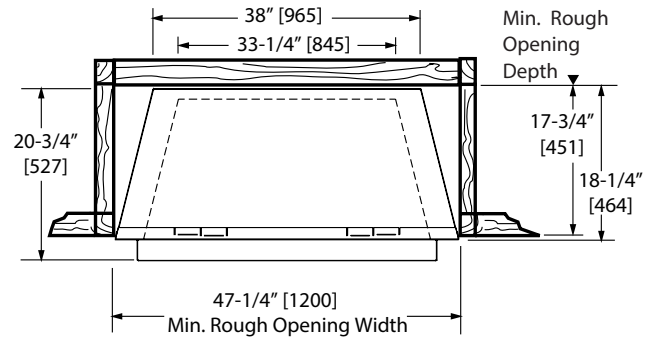
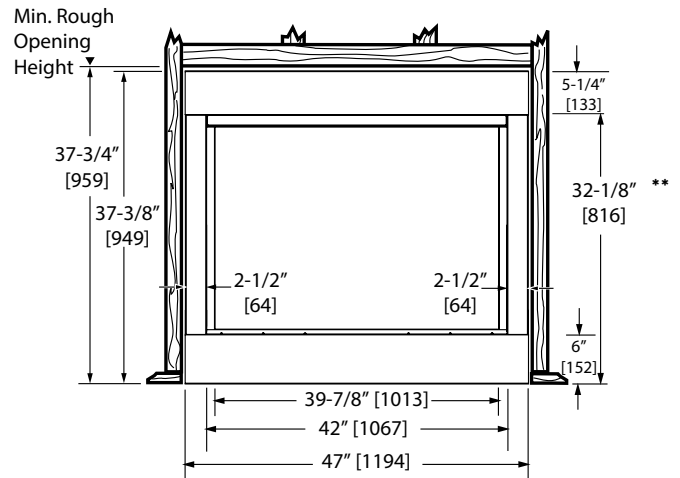


PRODUCT SPECIFICATIONS

# MCUF42D-R/MCUF42E-F Magnum Vent Free Firebox



LOVE AT FIRST LIGHT



\*\*Bracketed numbers are millimeters.

**ACTUAL DIMENSIONS**

- Actual size: 47"W x 37-3/8"H x 18-1/4"D x 38"RW  
(1194 mm x 949 mm x 464 mm x 965 mm)
- Viewing area: 42"W x 26-1/4"H (1102 sq in)  
(1067 mm x 667 mm) (7116 sq cm)
- Framing Dimensions: 47-1/4"W x 37-3/4"H x 17-3/4"D x 47-1/4"RW  
(1200 mm x 959 mm x 451 mm x 1200 mm)

**FACTORY INSTALLED FEATURES**

- Refractory Herringbone firebrick (MCUF42D-R)
- Vintage Brown firebrick (MCUF42E-F)

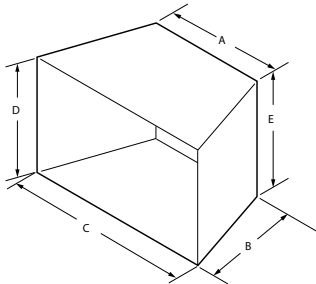
**FIELD INSTALLED ACCESSORIES**

- Black curved trim - BLTKM42C
- Variable thermostat controlled forced air blower (160cfm) - BLOTMC
- Wood cabinet surround and hearths
- Designer facings
- Combustion air kit - AK4

**TECHNICAL INFORMATION**

- Clearance to combustibles\*: zero
- CSA Design Certified

**MINIMUM HEARTH DIMENSIONS**



REF.	MCUF42E-F	MCUF42D-R
A	32-1/4" (819 mm)	31-3/4" (806 mm)
B	15" (384 mm)	14-3/4" (375 mm)
C	38-3/8" (975 mm)	38-1/8" (968 mm)
D	25" (635 mm)	25" (635 mm)
E	20-1/2" (521 mm)	20-1/2" (521 mm)

www.monessenhearth.com

\*See manual for complete clearance information  
To avoid personal injury or property damage, the product described by this brochure must be installed, operated and maintained in strict compliance with the instructions packaged with the product and all applicable building or fire codes. Contact local building or fire officials about restrictions and installation inspection requirements. All photographs and drawings on this brochure are for illustrative purposes only and are not intended for, nor should they be used as a substitute for the instructions packaged with the unit. Appearance and specifications of the product are subject to change without notice. 0716v2 © 2016 Hearth & Home Technologies®