



# MENIOTA

AMERICA'S LUXURY FIREPLACE

## FULLVIEW DIRECT VENT GAS FIREPLACE HEATER

### Model FV46

## INSTALLATION INSTRUCTIONS MANUAL

DOCUMENT NO. FV46-PF2-IM-0416



**NATIONAL FIREPLACE INSTITUTE**  
  
**CERTIFIED**  
[www.nficertified.org](http://www.nficertified.org)

We recommend that our gas hearth products be installed and serviced by professionals who are certified in the U.S. by the National Fireplace Institute® (NFI) as NFI Gas Specialists.

**WARNING:** If the information in this manual is not followed exactly, a fire or explosion may result causing property damage, personal injury or loss of life.

**Do not store or use gasoline or other flammable vapors and liquids in the vicinity of this or any other appliance.**

#### WHAT TO DO IF YOU SMELL GAS

- Open windows.
- Do not touch electrical switches.
- Do not try to light any appliance.
- Extinguish any open flame.
- Do not use the phone in your building.
- Immediately call your gas supplier from a neighbor's phone. Follow the gas supplier's instructions.
- If you cannot reach your gas supplier, call the fire department.
- Installation and service must be performed by a qualified installer, service agency or the gas supplier.

**AVERTISSEMENT :** Assurez-vous de bien suivre les instructions donné dans cette notice pour réduire au minimum le risque d'incendie ou pour éviter tout dommage matériel, toute blessure ou la mort.

- Ne pas entreposer ni utiliser d'essence ni d'autres vapeurs ou liquides inflammables dans le voisinage de cet appareil ou de tout autre appareil.
- **QUE FAIRE SI VOUS SENTEZ UNE ODEUR DE GAZ:**
- Ne pas tenter d'allumer d'appareil.
- Ne touchez à aucun interrupteur. Ne pas vous servir des téléphones se trouvant dans le bâtiment où vous vous trouvez.
- Appelez immédiatement votre fournisseur de gaz depuis un voisin. Suivez les instructions du fournisseur.
- Si vous ne pouvez rejoindre le fournisseur de gaz, appelez le service des incendies.
- L'installation et service doit être exécuté par un qualifié installer, agence de service ou le fournisseur de gaz.

#### WARNING

Do NOT use this appliance if any part has been under water. Immediately call a qualified service technician to inspect the appliance and to replace any part of the control system and any gas control, which has been under water.

**INSTALLER:** Leave this manual with the appliance.

**CONSUMER:** Retain this manual for future reference.

**INSTALLATEUR :** Laissez cette notice avec l'appareil.

**CONSOMMATEUR :** Conservez cette notice pour consultation ultérieure.

**WARNING**



**HOT GLASS WILL CAUSE BURNS.**  
**DO NOT TOUCH GLASS UNTIL COOLED.**  
**NEVER ALLOW CHILDREN TO TOUCH GLASS.**

**AVERTISSEMENT**



Une surface vitrée chaude peut causer des brûlures.  
 Laisser refroidir la surface vitrée avant d'y toucher.  
 Ne permettez jamais à un enfant de toucher la surface vitrée.

## SAFETY AND WARNING INFORMATION

### **FOR YOUR SAFETY**

A qualified installer, service agency, or the gas supplier must perform installation and service.

Do not store or use gasoline or other flammable vapors and liquids in the vicinity of this or any other appliance.

### **WARNING**

Do not operate this appliance with the glass removed, cracked or broken. A licensed or qualified person should do replacement of glass.

AVERTISSEMENT. Ne pas utiliser l'appareil si le panneau frontal en verre n'est pas en place, est craqué ou brisé. Confiez le remplacement du panneau à un technicien agréé.

### **WARNING**

Mendota gas fireplaces are heat producing appliances. Do not burn wood, paper or other materials in this fireplace. This fireplace is designed as a supplement heat source. It is advisable to have an alternative primary heat supply.

In the Commonwealth of Massachusetts:

- Installation must be performed by a licensed plumber or gas fitter;
- A CO detector shall be installed in the room where the appliance is installed.

**WARNING:** Improper installation, adjustment, alteration, service or maintenance can cause injury or property damage. Refer to this manual. For assistance or additional information consult a qualified installer, service agency or the gas supplier.

This appliance may be installed in an aftermarket permanently located, manufactured (mobile) home (USA Only), where not prohibited by local codes.

This appliance is only for use with the type(s) of gas indicated on the rating plate. This appliance is not convertible for use with other gases, unless a certified kit is used.

Cet appareil peut être installé dans un maison préfabriquée (mobile) déjà installée à demeure si les règlements locaux le permettent.

Cet appareil doit être utilisé uniquement avec les types de gas indiqués sur la plaque signalétique. Ne pas l'utiliser avec d'autres gas sauf si un kit de conversion certifié est installé.

The installation must conform with local codes or, in the absence of local codes, with the current National Fuel Gas Code, ANSI Z223.1 (NFPA 54) or CAN/CGA B149.1 Installation Code.

Installer l'appareil selon les codes ou règlements locaux, ou, en l'absence de tels règlements, selon les Codes d'installation CAN/CGA-B149.

Do not use this appliance if any part has been under water. Immediately call a qualified service technician to inspect the heater and to replace any part of the control system and any gas control which has been under water".

«Ne pas se servir de cet appareil s'il a été plongé dans l'eau, complètement ou en partie. Appeler un technicien qualifié pour inspecter l'appareil et remplacer toute partie du système de contrôle et toute commande qui ont été plongés dans l'eau»

**READ and UNDERSTAND** all instructions carefully before starting the appliance. **FAILURE TO FOLLOW** these instructions may result in a possible fire hazard and will void the warranty.

Any safety screen or guard removed for servicing must be replaced before operating this appliance. Tout écran ou protecteur retiré pour permettre l'entretien de l'appareil doit être remis en place avant de mettre l'appareil en marche.

**READ and UNDERSTAND** all instructions carefully before starting the appliance. **FAILURE TO FOLLOW** these instructions may result in a possible fire hazard and will void the warranty.

Any safety screen or guard removed for servicing must be replaced before operating this appliance. Tout écran ou protecteur retiré pour permettre l'entretien de l'appareil doit être remis en place avant de mettre l'appareil en marche.

### **THIS UNIT IS NOT FOR USE WITH SOLID FUEL.**

Installation and repair should be **PERFORMED** by a qualified service person. The appliance and venting system should be **INSPECTED** before initial use and at least annually by a professional service person. More frequent cleaning may be required due to excessive lint from carpeting, bedding, material, etc. It is **IMPERATIVE** that the unit's control compartment, burners, and circulating air passageways **ARE KEPT CLEAN** to provide for adequate combustion and ventilation air. *L'installation et la réparation devrait être confiées à un technicien qualifié. L'appareil devrait faire l'objet d'une inspection par un technicien professionnel avant d'être utilisé et au moins une fois l'an par la suite. Des nettoyages plus fréquents peuvent être nécessaires si les tapis, la literie, et cetera produisent une quantité importante de poussière. Il est essentiel que les compartiments abritant les commandes, les brûleurs et les conduits de circulation d'air de l'appareil soient tenus propres.*

**Always KEEP the appliance clear and free from combustible materials, gasoline, and other flammable vapors and liquids.**

**NEVER OBSTRUCT** the flow of combustion and ventilation air. Keep the front of the appliance **CLEAR** of all obstacles and materials for servicing and proper operation.

Due to high temperature, the appliance should be **LOCATED** out of traffic areas and away from furniture and draperies. En raison des températures élevées, l'appareil devrait être installé dans un endroit où il y a peu de circulation et loin du mobilier et des tentures.

Clothing or flammable material **SHOULD NOT BE PLACED** on or near the appliance. On ne devrait pas placer de vêtements ni d'autres matières inflammables sur l'appareil ni à proximité.

Children and adults should be **ALERTED** to the hazards of high surface temperature and should **STAY AWAY** to avoid burns or clothing ignition. Les enfants et les adultes devraient être informés des dangers que posent les températures de surface élevées et se tenir à distance afin d'éviter des brûlures ou que leurs vêtements ne s'enflamment.

Young children should be **CAREFULLY SUPERVISED** when they are in the same room as the appliance. Toddlers, young children and others may be susceptible to accidental contact burns. A physical barrier is recommended if there are at risk individuals in the house. To restrict access to a fireplace or stove, install an adjustable safety gate to keep toddlers, young children and other at risk individuals out of the room and away from hot surfaces. "Les jeunes enfants devraient être surveillés étroitement lorsqu'ils se trouvent dans la même pièce que l'appareil. Les tout petits, les jeunes enfants ou les adultes peuvent subir des brûlures s'ils viennent en contact avec la surface chaude. Il est recommandé d'installer une barrière physique si des personnes à risques habitent la maison. Pour empêcher l'accès à un foyer ou à un poêle, installez une barrière de sécurité; cette mesure empêchera les tout petits, les jeunes enfants et toute autre personne à risque d'avoir accès à la pièce et aux surfaces chaudes.

These units **MUST** use one of the vent systems described in the Installing Your Fireplace section of the Installers Guide. **NO OTHER** vent systems or components **MAY BE USED**.

This gas fireplace and vent assembly **MUST** be vented directly to the outside and **MUST NEVER** be attached to a chimney serving a separate solid fuel-burning appliance. Each gas appliance **MUST USE** a separate vent system. Common vent systems are **PROHIBITED**.

If the vent-air intake system is disassembled for any reason, reinstall per the instructions provided for the initial installation.

The vent system assembly for this fireplace must be periodically examined by a qualified service agency.

**INSPECT** the external vent cap on regular basis to make sure that no debris is interfering with the airflow. The flow of combustion and ventilation air not to be obstructed

**DO NOT** abuse the glass door by striking the glass, slamming the door shut, etc.

Use only authorized parts and materials obtained from Johnson Gas Appliance Company when replacing defective or damaged glass.

**DO NOT USE** abrasive cleaners on the glass door assembly. **DO NOT ATTEMPT** to clean the glass door when it is hot.

Turn off the gas before servicing this appliance. It is recommended that a qualified service technician perform an appliance check-up at the beginning of each heating season.

**DO NOT** place furniture or any other combustible household objects within 36 inches of the fireplace front.

This vented gas fireplace heater is not for use with air filters".Foyer au gaz à évacuation.- Ne pas utiliser avec du combustible solide.

Keep burner and control compartment clean. See installation and operating instructions accompanying appliance." S'assurer que le brûleur et le compartiment des commandes sont propres. Voir les instructions d'installation et d'utilisation qui accompagnent l'appareil.

**WARNING:** Improper installation, adjustment, alteration, service or maintenance can cause injury or property damage. Refer to the owner's information manual provided with this appliance. For assistance or additional information consult a qualified installer, service agency or the gas supplier."L'AVERTISSEMENT: L'installation inconvenante, ajustement, modification, service ou entretien peut causer le dommages de propriété ou blessure. Référez au manuel d'information de propriétaire fourni cet appareil. Pour l'assistance ou information supplémentaire consultez un qualifiée installateur, agence de service ou le fournisseur de gaz.

## **TABLE OF CONTENTS**

|  |    |
|--|----|
| SAFETY AND WARNING INFORMATION.....  | 2  |
| FV46 FULL VIEW GAS FIREPLACE DIMENSIONS.....                                   | 6  |
| TECHNICAL SPECIFICATIONS FOR FV46 .....  | 7  |
| CONGRATULATIONS.....   | 8  |
| <i>Building Permit and Installation Inspection Approval Requirements</i> ..... | 8  |
| GENERAL APPLIANCE SPECIFICATIONS .....   | 9  |
| MANTEL CLEARANCES.....   | 10 |
| CLEARANCES TO COMBUSTIBLES FROM APPLIANCE SURFACES .....                       | 11 |
| PLANNING THE INSTALLATION .....  | 12 |
| ROUGH FRAMING DIMENSIONS.....  | 13 |
| BACKUP DC POWER INLET PORT INSTALLATION .....                                  | 13 |
| FRAMING DEPTH and FINISHING GUIDES .....                                       | 14 |
| HEARTH PROTECTION PAD REQUIREMENTS.....  | 17 |
| GENERAL INFORMATION .....  | 18 |
| GAS SUPPLY REQUIREMENTS.....   | 19 |
| GAS PRESSURE REQUIREMENTS .....  | 20 |
| GENERAL INSTALLATION INSTRUCTIONS.....   | 21 |
| GENERAL FLUE VENTING INSTRUCTIONS .....  | 22 |
| EXTERIOR VENT LOCATIONS AND RESTRICTIONS.....                                  | 23 |
| FLUE VENTING COMPONENTS IDENTIFICATION .....                                   | 24 |
| FV46 MASTER FLUE VENTING REQUIREMENTS CHART.....                               | 25 |
| IMPORTANT VENTING CONFIGURATION NOTES.....                                     | 26 |
| APPROVED VENT SYSTEMS.....   | 27 |
| ZERO RISE HORIZONTAL TERMINATION .....   | 28 |
| VERTICAL RISE HORIZONTAL TERMINATION.....                                      | 29 |
| VERTICAL THROUGH-THE ROOF VENTING .....  | 31 |
| VERTICAL THROUGH-THE-ROOF VENTING USING FOUR 90° ELBOWS.....                   | 33 |
| FV46 DOOR OPERATION.....   | 34 |
| INSTALLATION CHECK OFF LIST.....   | 35 |
| LIGHTING CHECK OFF LIST .....  | 35 |
| FV46 LOG SET INSTALLATION INSTRUCTIONS.....                                    | 36 |
| TROUBLE SHOOTING THE FV46 FIREPLACE & MAINTENANCE INFORMATION.....             | 50 |
| MAINTENANCE .....  | 51 |
| NATURAL TO LP GAS CONVERSION.....  | 53 |
| LP GAS PRESSURE REQUIREMENTS.....  | 57 |
| FV46 VALVE ASSEMBLY REPLACEMENT PARTS .....                                    | 59 |
| FV46 GAS IGNITION SYSTEM WIRING DIAGRAM.....                                   | 60 |
| GLASS FRAME ASSEMBLY REPAIR AND REPLACEMENT .....                              | 61 |
| MENDOTA EXTENDED PROTECTION AND LIMITED WARRANTY .....                         | 65 |

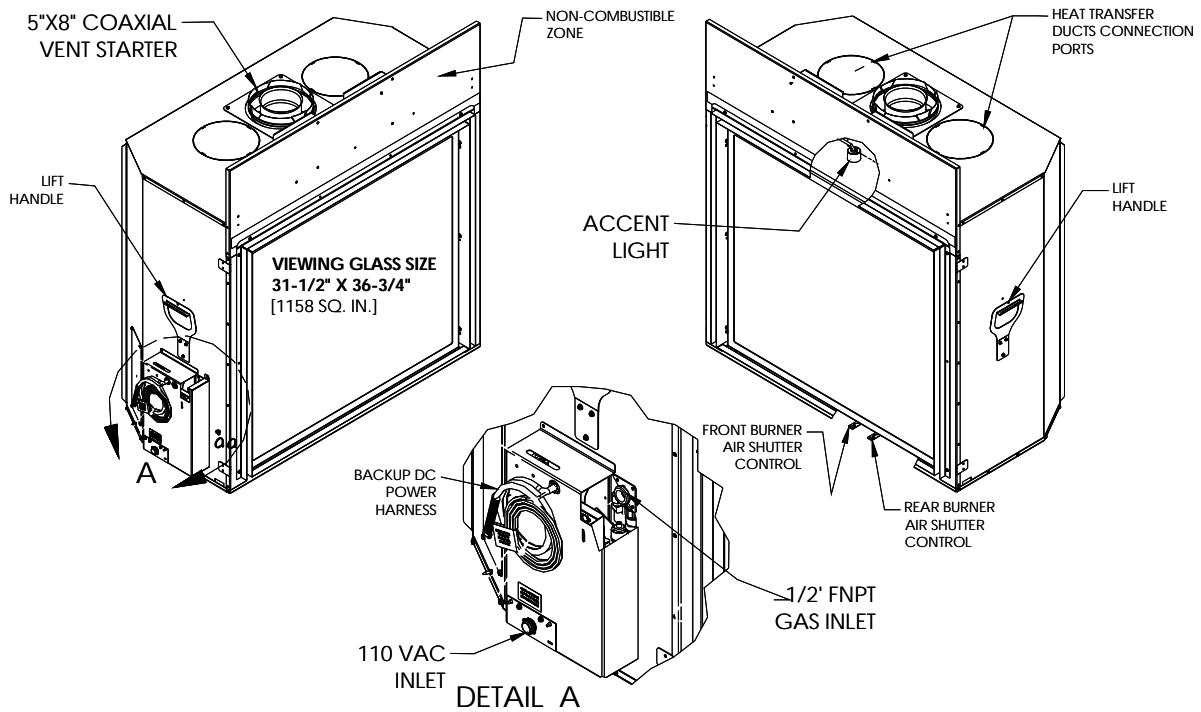
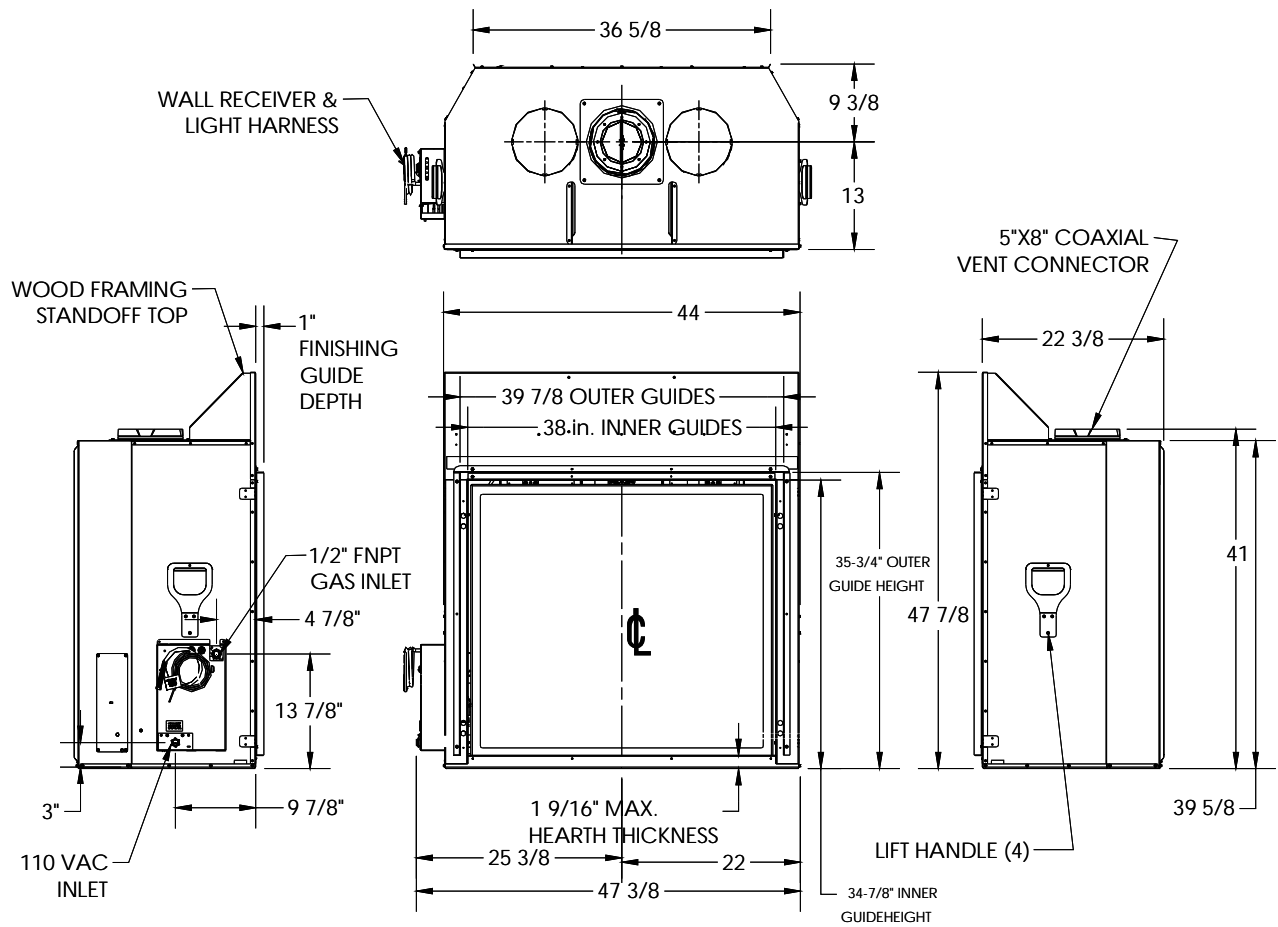
## Specific Requirements for the Common Wealth of Massachusetts

The information in this section applies to all installations performed in the Common Wealth of Massachusetts only.

- a) For all side wall horizontally vented gas fueled equipment installed in every dwelling, building or structure used in whole or in part for residential purposes and where the side wall exhaust vent termination is less than seven (7) feet above grade, the following requirements shall be satisfied:
  1. If there is no carbon monoxide detector with an alarm already installed in compliance with the most current edition of NFPA 720, NFPA 70 and the Massachusetts State Building code in the residential unit served by the side wall horizontally vented gas fueled equipment, a battery operated carbon monoxide detector with an alarm shall be installed in compliance with the most current edition of NFPA 720, NFPA 70 and the Massachusetts State Building Code.
  2. In addition to the above requirements, if there is not one already present, a carbon monoxide detector with an alarm and a battery backup shall be installed and located in accordance with the installation requirements supplied with the detector on the floor level where the gas equipment is installed. The carbon monoxide detector with an alarm shall comply with 527 CMR, ANSI/UL 2034 Standards or CSA 6.19 and the most current edition of NFPA 720. In the event that the requirements of this subdivision cannot be met at the time of the completion of the installation of the equipment, the installer shall have a period of thirty (30) days to comply with this requirement; provided, however, that during said thirty (30) day period, a battery operated carbon monoxide detector with an alarm shall be installed in compliance with the most current edition of NFPA 720, NFPA 70 and the Massachusetts State Building Code. In the event that the side wall horizontally vented gas fueled equipment is installed in a crawl space or an attic, the carbon monoxide detector may be installed on the next adjacent habitable floor level. Such detector may be a battery operated carbon monoxide detector with an alarm and shall be installed in compliance with the most current edition of NFPA 720, NFPA 70 and the Massachusetts State Building Code.
  3. A metal or plastic identification plate shall be permanently mounted to the exterior of the building at a minimum height of eight (8) feet above grade directly in line with the exhaust vent terminal for the horizontally vented gas fueled heating appliance or equipment. The sign shall read, in print size no less than one-half (1/2) inch in size, "GAS VENT DIRECTLY BELOW, KEEP CLEAR OF ALL OBSTRUCTIONS"
  4. A final inspection by the state or local gas inspector of the side wall horizontally vented equipment shall not be performed until proof is provided that the state or local electrical inspector having jurisdiction has granted a permit for installation of carbon monoxide detectors and alarms as required above.
- (b) EXEMPTIONS: The following equipment is exempt from 248 CMR 5.08(2) (a) 1 through 4:
  1. The equipment listed in Chapter 10 entitled "Equipment Not Required To Be Vented" in the most current edition of NFPA 54 as adopted by the Board; and
  2. Product Approved side wall horizontally vented gas fueled equipment installed in a room or structure separate from the dwelling, building or structure used in whole or in part for residential purposes.
- (c) When the manufacturer of Product Approved side wall horizontally vented gas equipment provides a venting system design or venting system components with the equipment, the instructions for installation of the equipment and the venting system shall include:
  1. A complete parts list for the venting system design or venting system; and
  2. Detailed instructions for the installation of the venting system design or the venting system components.
- (d) When the manufacturer of a Product Approved side wall horizontally vented gas fueled equipment does not provide the parts for venting the flue gases, but identifies "special venting systems", the following shall be satisfied:
  1. The referenced "special venting system" instructions shall be included with the appliance or equipment installation instructions; and
  2. The "special venting systems" shall be Product Approved by the Board, and the instructions for that system shall include a parts list and detailed installation instructions.
- (e) A copy of all installation instructions for all Product Approved side wall horizontally vented gas fueled equipment, all venting instructions, all parts lists for venting instructions, and/or all venting design instructions shall remain with the appliance or equipment at the completion of the installation.

# FV46 FULL VIEW GAS FIREPLACE DIMENSIONS

## OVERALL APPLIANCE DIMENSIONS AND FEATURES



**TECHNICAL SPECIFICATIONS FOR FV46**

**MODEL FV46**

**High Fire** - Adjustable to - **Low Fire**

|                     |          |        |        |
|---------------------|----------|--------|--------|
| BTUH. (MODEL FV-46) | NAT. GAS | 45,500 | 13,450 |
| BTUH. (MODEL FV-46) | LP GAS   | 45,500 | 15,840 |



**NOTE: LPG CONVERSION KIT, #HA-88-0080, MUST BE PURCHASED SEPARATELY TO CONVERT TO BURN LPG IN THIS FIREPLACE.**

MAIN ORIFICE [0-2000ft (610 m)]: REAR BURNER: #37 NAT. GAS [1/16" L.P. GAS] – FRONT BURNER: #44 NAT. [#55 LP]  
 OVERALL EFFICIENCY: AFUE RATING = **72.8%**, P.4 Heating Seasonal Efficiency = **76.9%**, P.4 Fireplace Efficiency = **76.9%**  
 P.4 Steady State Efficiency - HIGH = **76.1%**, P.4 Steady State Efficiency – LOW = **72.4%**

CO-AXIAL DIRECT VENT FLUE: ..... 5" INNER, 8" OUTER  
 TOTAL WEIGHT: ..... 325 POUNDS  
 SAFETY: ..... AGA/CECERTIFIED IPI AUTO ELECTRONIC IGNITION SYSTEM  
 ACTIVATED WITH THERMOSTATIC REMOTE CONTROL.

**APPLIANCE CERTIFICATION AND TESTING AGENCY**

INTERTEK TESTING SERVICES, ICBO#AA647-4  
 Certified under ANSI Z21.88 (2009) • CSA 2-33 (2009) "Vented Gas Fireplace Heaters" not for use with solid fuel. Approved for bedroom installations and mobile homes. UL307B approved for "mobile homes, after first sale of home, not for recreational vehicles."

**GAS REQUIREMENTS**..... **SUPPLY PRESSURE:** GAS INLET: 1/2" N.P.T.  
 NAT. GAS: **7" W.C.** (5" W.C. MIN., 11" W.C. MAX.)  
 L.P. GAS: **11.0" W.C.** (11" W.C. MIN., 13" W.C. MAX.)

**ELECTRICAL REQUIREMENTS**..... 115 VOLT, LESS THAN 1.5 amps (for blower operation only), 6V DC BACKUP POWER  
**APPROVED VENT SYSTEMS**..... DURAVENT, SELKIRK, AMERIVENT, SECURITY

**MINIMUM CLEARANCES TO COMBUSTIBLE CONSTRUCTION**

|                                  |                      |                                  |                |
|----------------------------------|----------------------|----------------------------------|----------------|
| UNIT TO FLOOR                    | 0in. (0mm)           | GLASS EDGE TO ADJACENT SIDEWALL  | 16in. (406 mm) |
| UNIT TO ENCLOSURE SIDEWALL       | 1/2in. (13mm)        | VENT PIPE TOP TO COMBUSTIBLES    | 3in. (76mm)    |
| UNIT TO ENCLOSURE BACK WALL      | 1/2in. (13mm)        | VENT PIPE SIDES TO COMBUSTIBLES  | 1in. (25mm)    |
| UNIT BOTTOM TO ENCLOSURE CEILING | 55in. (1400 mm)      | VENT PIPE BOTTOM TO COMBUSTIBLES | 1in. (25mm)    |
| UNIT BOTTOM TO ROOM CEILING      | 72 in. (1829 mm)     |                                  |                |
| 8" MANTLE ABOVE FLOOR LEVEL      | 53-7/8 in. (1370 mm) |                                  |                |

**MINIMUM COMBUSTIBLE ROUGH FRAMING DIMENSIONS**

WIDTH = 48" (109cm)      HEIGHT = 55" (119cm)      DEPTH = 22-1/2" (49cm)

THIS FIREPLACE INCLUDES A SEALED COMBUSTION SYSTEM, 19-PIECE CERAMIC FIBER LOG SET & COALS, (FIREBRICK OPTIONAL) LINED FIREBOX, NEO-CERAM GLASS, ELECTRONIC IGNITION SYSTEM, DUAL BLOWERS, AGA CERTIFIED SAFETY SYSTEM, ACCENT LIGHT, THERMOSTATIC REMOTE CONTROL and DC BACKUP POWER PACK & HARNESS.

**OPTIONS:** BLACK, VINTAGE IRON, SWEDISH NICKEL, ANTIQUE COPPER and BRUSHED CHROME decorative fronts and other accessories.

**CAUTION**  
**THESE INSTRUCTIONS ARE TO REMAIN WITH THE HOMEOWNER.**

This appliance may be installed in an aftermarket, permanently located, manufactured home (USA only) or mobile home, where not prohibited by local codes.  
 This appliance is only for use with the type(s) of gas indicated on the rating plate.

**NOTE:** This installation must conform to local codes. In the absence of local codes, you must comply with the **National Fuel Gas Code, ANSI Z223.1-latest edition** in the U.S.A. and the Natural Gas and Propane Installation Code, **CSA B149 Installation Codes** in Canada.

**WARNING:** Do not operate this appliance with the glass removed, cracked or broken. A licensed or qualified person should do replacement of glass.

**HIGH ALTITUDE INSTALLATION INFORMATION:** Prior to installing at altitudes higher than 7500, please contact the Mendota technical service department for specific venting requirements and venting restrictions.

## CONGRATULATIONS

You are the owner of a world-class heat producing gas direct vent sealed combustion fireplace.

This elegant, highly efficient Fireplace will be a constant source of comfort and fascination. It will be the focal point of beauty and interest in your home.

This Mendota Gas Fireplace is a true heating appliance incorporating modern aesthetics of fire viewing with the controllability and fuel efficiency of a home gas furnace. Of particular interest is the low fuel consumption and brilliant fire viewing afforded by the high efficiency combustion system.

Carefully read the following instructions prior to actual installation. Proper Mendota Gas Fireplace installation and operation will give you years of safe, trouble free comfort and enjoyment.

If you have any questions regarding installation or operation of your Mendota Fireplace please contact your local dealer.

### ...CAUTION...

Due to high temperatures, the Fireplace should be located out of traffic and away from furniture and draperies. Children and adults should be alerted to the hazards of high surface temperature and should stay away to avoid burns or clothing ignition. Young children should be carefully supervised when they are in the same room as the Mendota Gas Fireplace.

Clothing or other flammable material should not be placed on or near the Fireplace.

Any safety screen or guard removed for servicing an appliance must be replaced prior to operating this appliance.

The Mendota Gas Fireplace is a powerful and efficient heating unit. It has been designed as a major source of supplemental heat. As with any mechanical appliance there can be component shut downs. It is advisable to have an alternate heat supply.

Installation, repair and any adjustments to logs or burner must be done by a qualified service person. The appliance should be inspected before use and at least annually by a professional service person. More frequent cleaning may be required due to excessive lint from carpeting, bedding material, carbon build-up, etc. It is imperative that control compartments, burners and circulating air passageways of the appliance be kept clean. The burner and pilot flames and logs should be visually checked periodically.

DO NOT use this appliance if any part has been under water or exposed to moisture corrosion. Immediately call a qualified service technician to inspect the Fireplace and replace any part of the control system and any gas control, which has been under water. DO NOT use this fireplace if the burner does not light immediately. Turn unit off and call Mendota approved service person if there is any delay in burner light off.

It is Johnson Gas Appliance Company's policy that no responsibility is assumed by the Company or by any of its employees or representatives for any damages caused by an inoperable, inadequate, or unsafe condition which is the result, either directly or indirectly, of any improper operation, installation or servicing procedures.

### Building Permit and Installation Inspection Approval Requirements

All installations of Mendota Fireplaces and Inserts must comply with all the requirements stated in this Installation and Operating Instructions Manual. The Dealer and/or installer must also obtain all required Building Permits and Inspection Approval from the local building inspection department or the local body having jurisdiction. In order to validate warranty coverage, Mendota may require facsimile copies of the Building Permit and Inspection Approval forms. Failure to provide adequate proof that the installation conforms to all local requirements and the requirements stated in the Installation and Operating Instructions Manual will void all applicable warranty.

**INSTALLER: THESE INSTRUCTIONS ARE TO REMAIN WITH HOMEOWNER.**

**HIGH ALTITUDE INSTALLATION INFORMATION:** Prior to installing at altitudes higher than 7500, please contact the Mendota technical service department for specific venting requirements and venting restrictions.



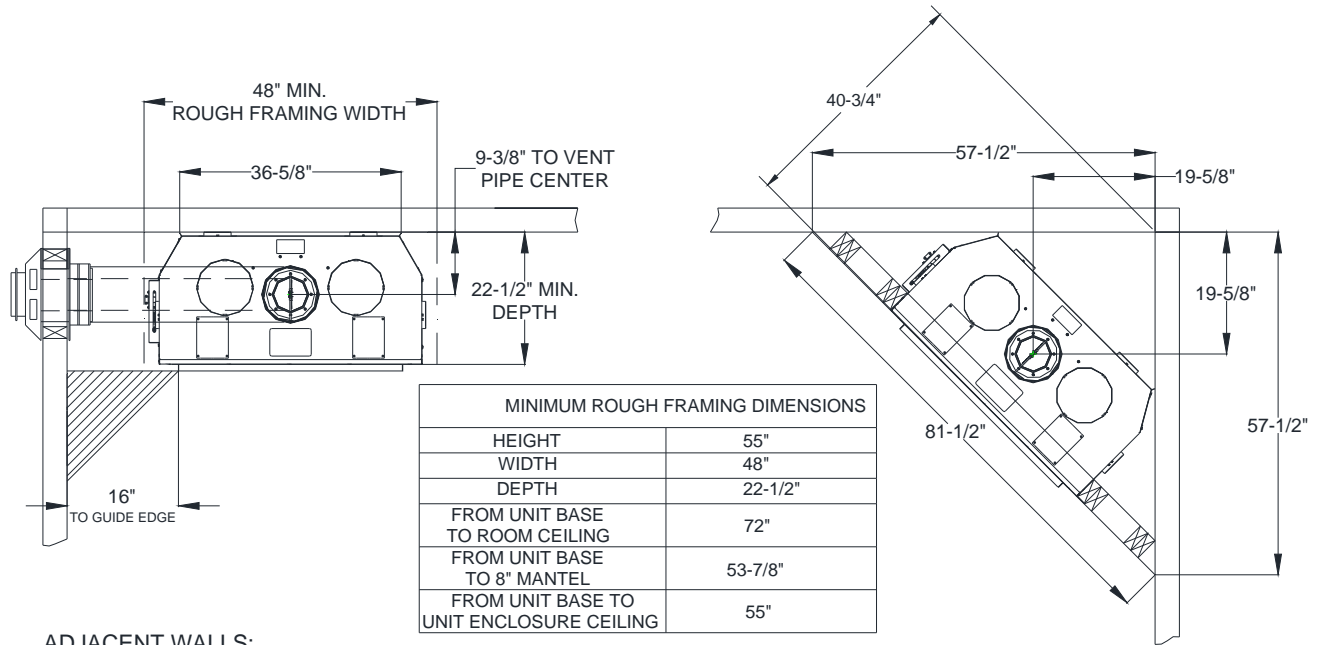
# FV46-M DIRECT VENT GAS FIREPLACE

## GENERAL APPLIANCE SPECIFICATIONS

**HIGH ALTITUDE INSTALLATION INFORMATION:** Prior to installing at altitudes higher than 7500, please contact the Mendota technical service department for specific venting requirements and venting restrictions.

# FV-46 GAS DIRECT VENT FIREPLACE

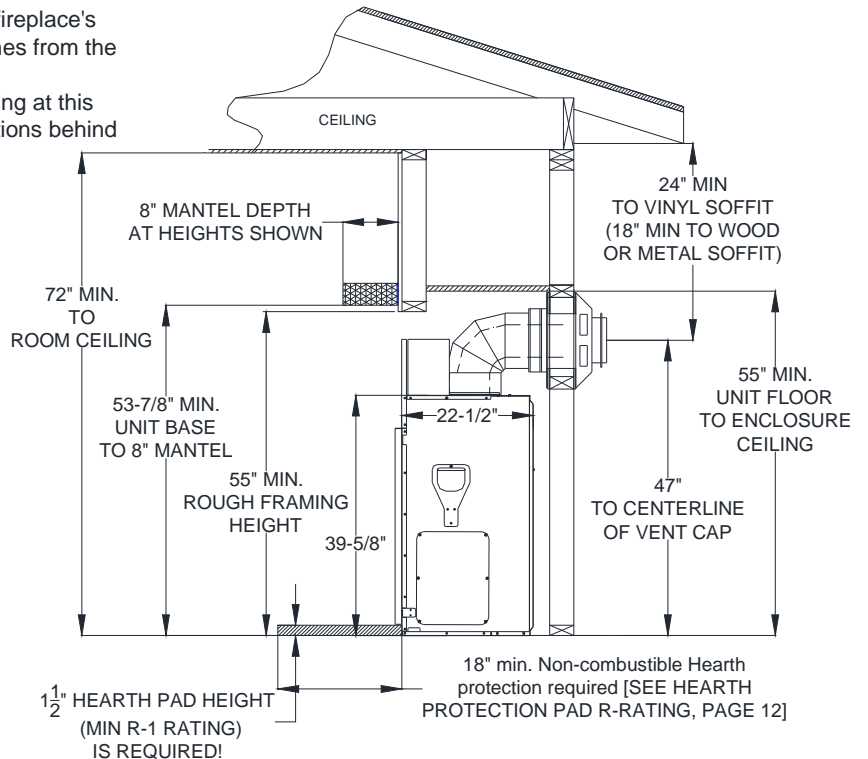
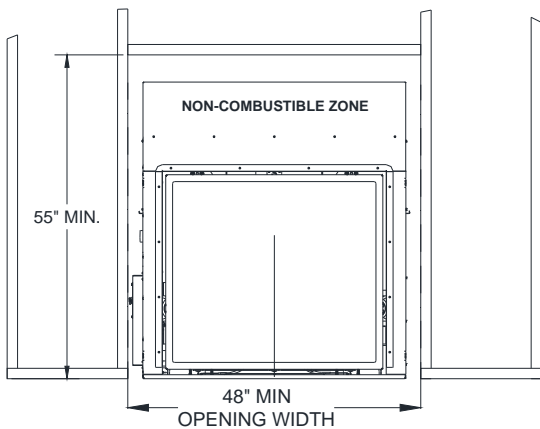
## GENERAL APPLIANCE SPECIFICATIONS



### ADJACENT WALLS:

A wall perpendicular to and in front of this fireplace's glass door surface must be at least 16 inches from the side edges of the facing guide.

A wall at 45° to the glass surface and starting at this Fireplace's outer edge is permitted. Projections behind this wall (in shaded area) are permitted.



**NOTE:** For every 1" this fireplace is raised off the floor, the non-combustible hearth protection pad may be reduced by 2". If this fireplace is raised off the floor more than 6", No hearth protection pad is required.

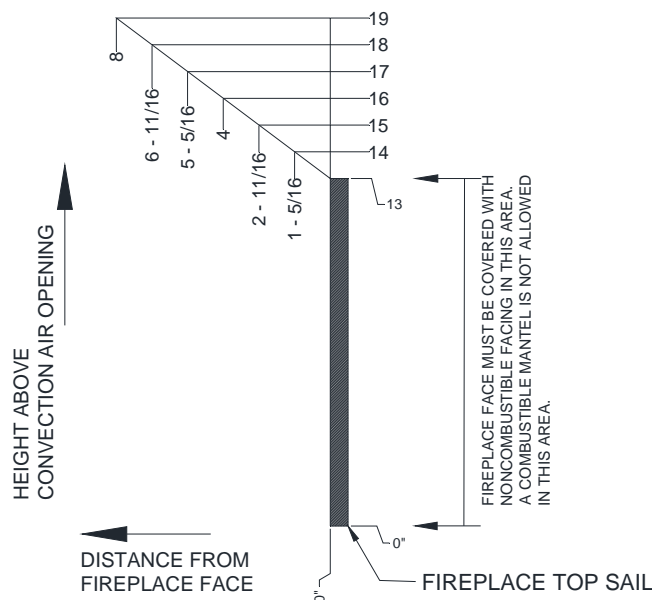
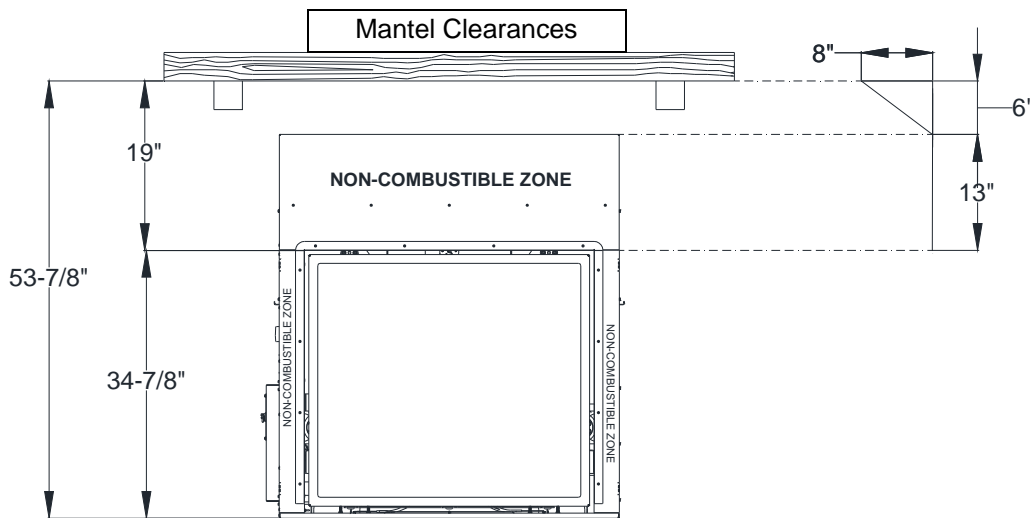
## MANTEL CLEARANCES

Mantel Clearances for this fireplace may be measured from the top of the convection air opening or the floor level of this fireplace. The location that is referenced normally to measure mantel clearances is the Top of the Convection Air Opening. For ease, however, measure up from the floor level of this fireplace. The chart and diagram, in this page, provide all the reference dimensional information necessary in determining the distance a combustible mantel may protrude out from the front surface of this fireplace. The chart below shows the distance from the fireplaces front surface that the combustible mantel may protrude. If you prefer to take measurements from the Top of the Convection Air Opening, note that the Top of the convection air opening is 34-7/8 inches up from the floor level of this fireplace.

**WARNING:** Make proper use of this chart. Do not compromise the specifications contained in this chart. Failure to adhere to proper clearances required to combustibles may cause spontaneous combustion of the mantel and may result in a fire causing property damage, personal injury or loss of life.

**NOTE:** For mantels that protrude more than 8 inches from the front surface of the fireplace use the rise and run of the mantel profile chart to calculate the required height of the mantel.

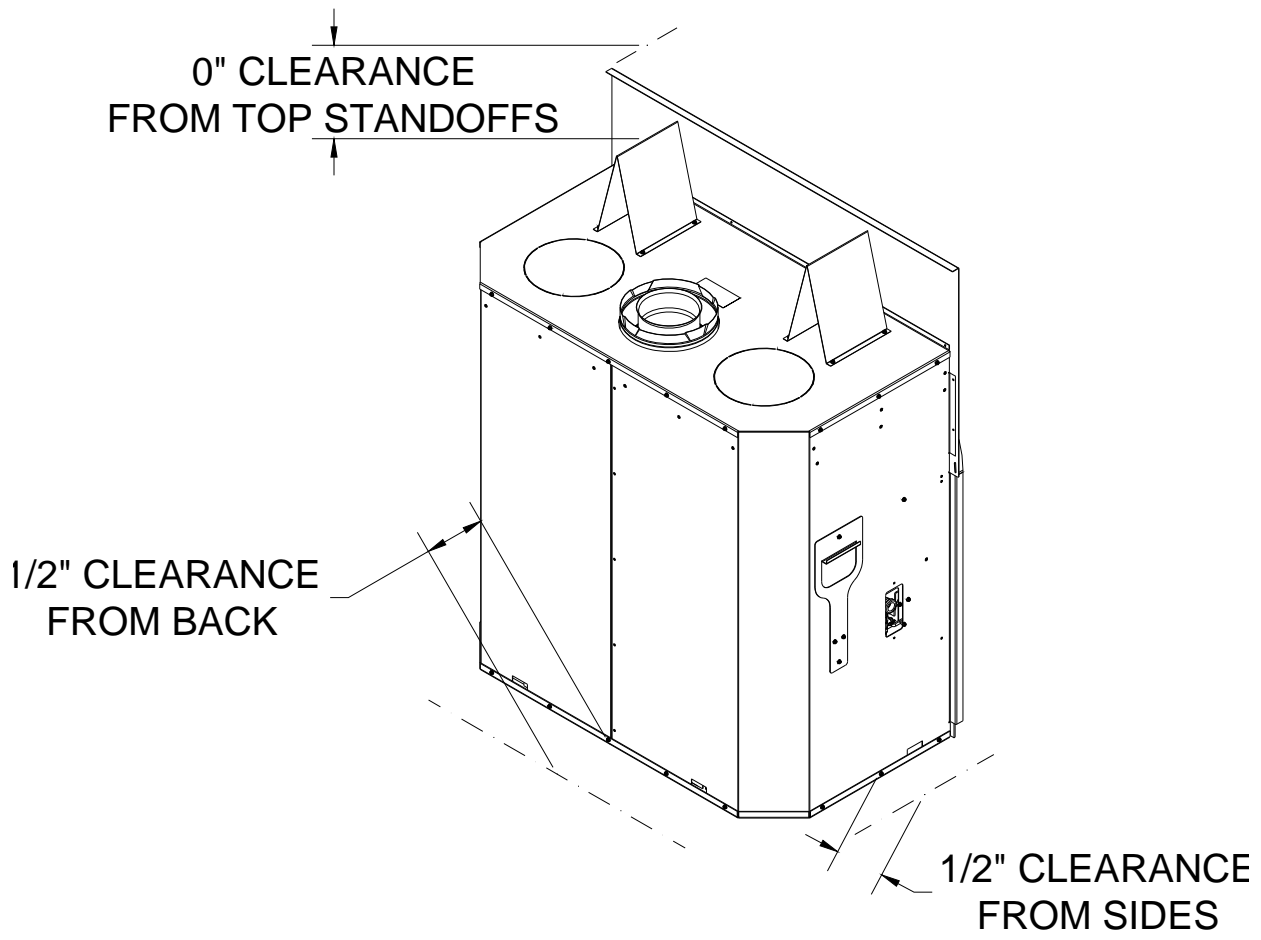
Example: Your mantel protrudes 10 inches from the front face of the fireplace. To calculate the required height you would multiply by the rise  $10 \times 6 = 60$  then divide by the run  $60 \div 8 = 7.5$  then subtract the rise  $7.5 - 6 = 1.5$  inches. This is how much higher the 10 inch mantel would need to be than an 8 inch mantel. So a 10 inch mantel would need to be  $55\text{-}3/8$  inches from the floor of the fireplace or 20.5 inches above the convection air opening.



APPROVED MANTEL PROFILE

# CLEARANCES TO COMBUSTIBLES FROM APPLIANCE SURFACES

Clearances to Combustibles



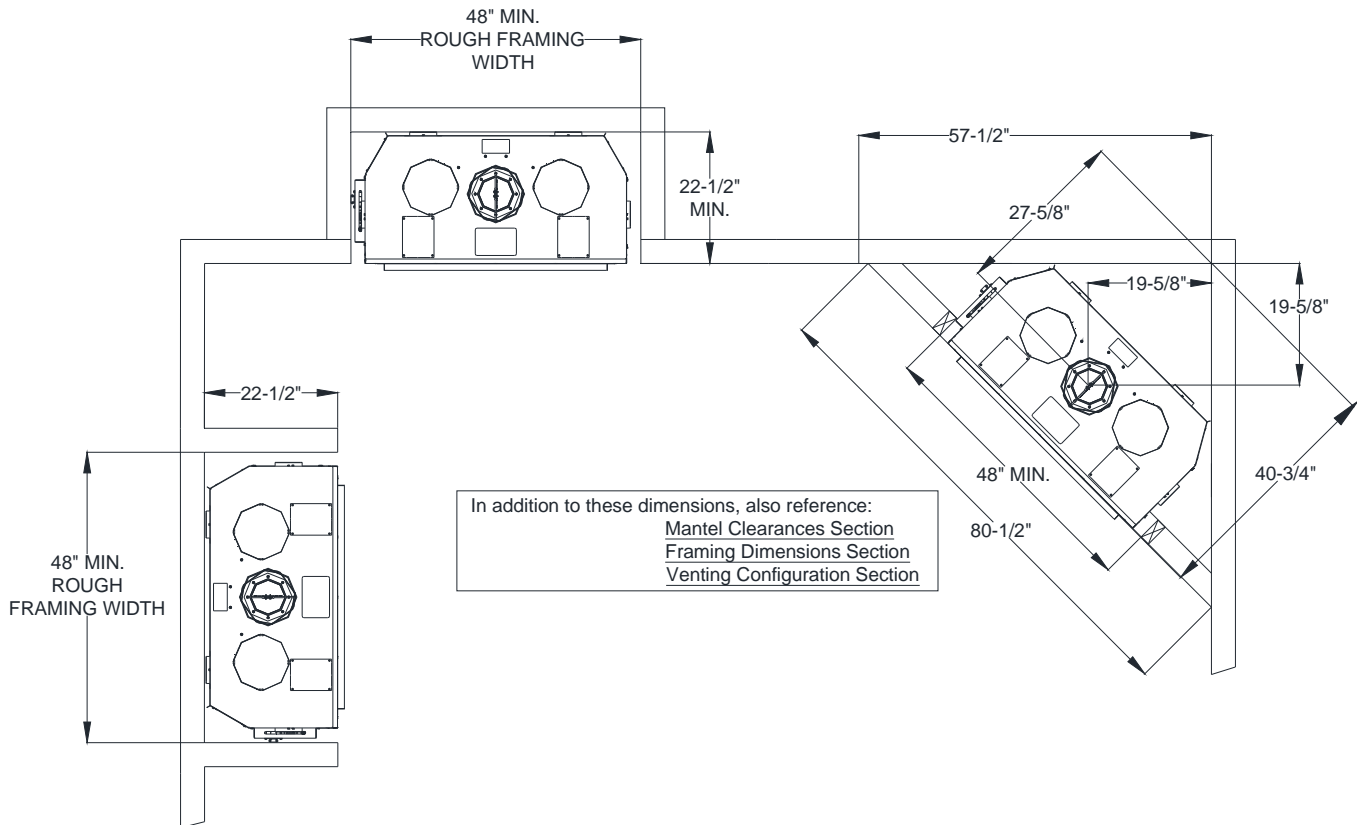
## PLANNING THE INSTALLATION

When planning on appliance installation, it is necessary to determine the following information before installing:

- Where the appliance is to be installed.
- The vent system configuration to be used.
- Gas supply piping.
- Electrical Wiring.
- Framing and finishing details.
- Hearth Protection Pad Requirements.
- Whether accessories such as a wall switch, remote control, and ceiling fan are desired.

### Selecting Appliance Location

When selecting a location for your appliance, it is important to consider the required clearances to walls.



### **WARNING** **FIRE RISK- ODOR RISK**

- Install appliance on hard metal or wood surfaces extending full width and depth of this fireplace.
- An R-1 Rated Hearth Protection Pad [1-1/2" Thick Maximum] is required unless this fireplace is elevated. For every 1" this fireplace is elevated, you may reduce the hearth pad depth by 1". If this fireplace is elevated 6" or higher no hearth protection pad is required.
- Do NOT install this fireplace directly on carpeting, vinyl or any combustible material other than wood. Construct chase to all clearance specifications in manual.
- Locate and install appliance to all clearance specifications in manual.
- **ODOR RISK: DO NOT INSTALL ANY CEMENT BOARDS OF OTHER MATERIALS THAT CONTAIN POLYMER BASED FIBERS OR OTHER POLYMER MATERIALS.**

## ROUGH FRAMING DIMENSIONS

### Rough Framing Dimensions

The Rough Framing Dimensions must be maintained to allow this fireplace to slide into the framing cavity with a 90° elbow installed on the top starter collar. After the FV46 Fireplace is inserted into the rough framed cavity, install one 2x4 on each side adjacent to the side of this fireplace's body and one 2x4 on top of the top framing standoffs to close the air gap and to act as nailing studs for finishing materials.

| Minimum Rough Framing Dimensions |                     |                                     |
|----------------------------------|---------------------|-------------------------------------|
|                                  | DESCRIPTION         | DIMENSION (INCHES)                  |
| A                                | Width               | 48"                                 |
| B                                | Height              | 55"                                 |
| C                                | Depth               | 22-1/2" (22" Granite/Marble Facing) |
| D                                | Vent opening height | 10-3/4"                             |
| E                                | Vent opening width  | 10-3/4"                             |

If the fireplace is to be recessed in a cavity deeper than 22-1/2", all framing and finishing materials protruding past the front face of this fireplace must be of the NON-COMBUSTIBLE variety.

### Constructing the Appliance Chase

A chase is a vertical box-like structure built to enclose this fireplace and its vent system. Vertical vents that run on the outside of a building may be, but are not required to be, installed inside a chase.

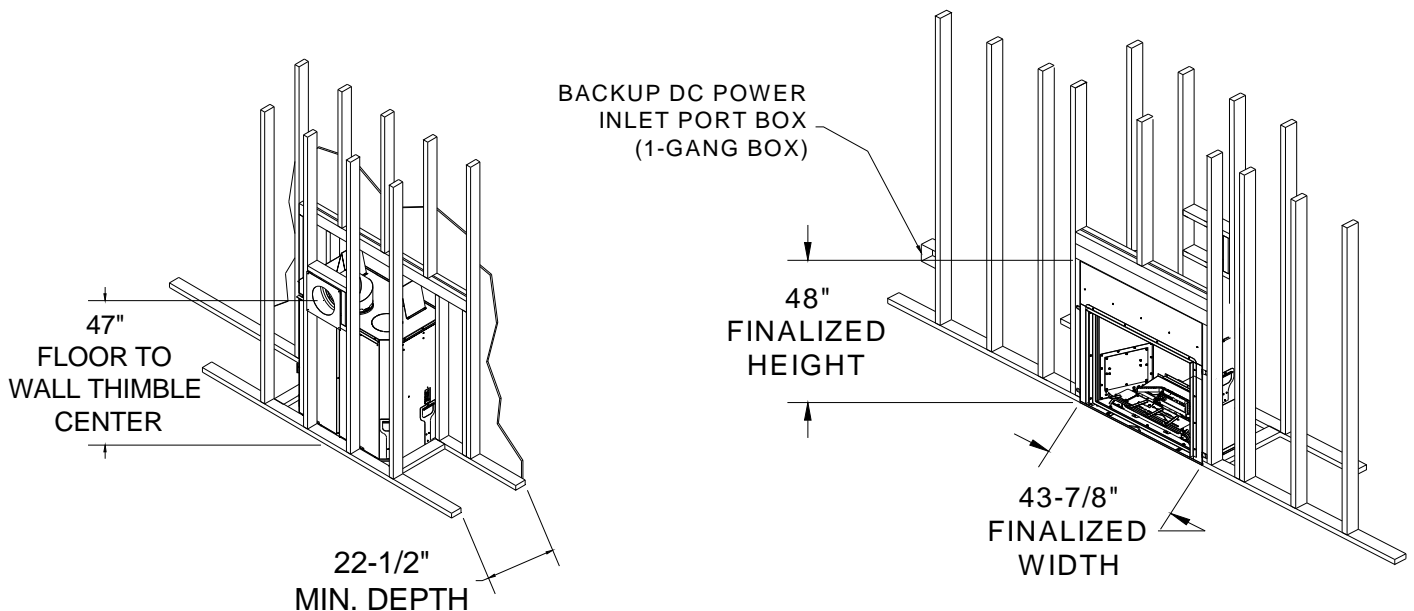
Construction of the chase may vary with the type of building. These instructions are not substitutes for the requirements of local building codes. Local building codes **MUST** be adhered to.

Chases should be constructed in the manner of all outside walls of the home to prevent cold air drafting problems. The chase should not break the outside building envelope in any manner.

Wall, ceiling, base plate and cantilever floor of the chase should be insulated. Vapor and air infiltration barriers should be installed in the chase as per regional codes for the rest of the home. Additionally, in regions where cold air infiltration may be an issue, the inside surfaces of the chase may be sheet rocked and taped for maximum air tightness.

To further prevent drafts, the fire stops should be caulked with high temperature caulk to seal the gaps. Gas line holes and other openings should be caulked with high temp caulk or stuffed with un-faced insulation. If the appliance is being installed on a cement slab, a layer of plywood may be placed underneath this fireplace to prevent conducting cold up into the room.

### FINALIZED Framing Dimensions



## BACKUP DC POWER INLET PORT INSTALLATION

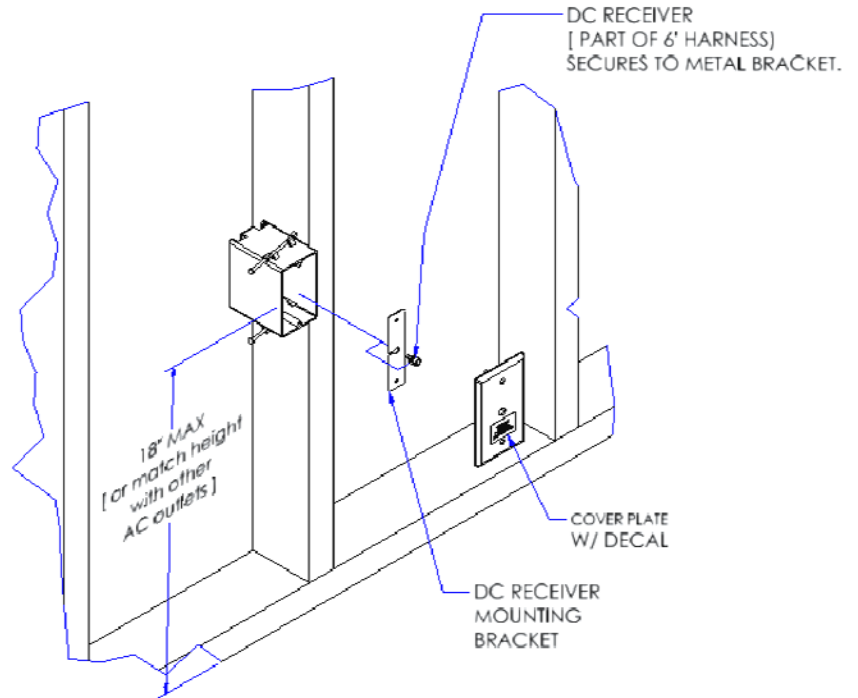
Under normal conditions when AC power is available, this appliance is designed to operate on 110 VAC power. During power outages, it is designed to operate using 6 V DC backup power. This appliance is supplied with a 6 ft. DC power inlet harness, a single gang outlet box and two single cover plates. In addition, a 4 X AA size battery pack and a connector harness are also supplied.

**INSTALLATION:** It is important that you install the supplied harness, outlet box and cover plate on the left side of this appliance. The DC Power Inlet harness is 6 feet long, allowing installation of the single gang box up to 5 feet to the left of this appliance. Install the single gang box at a maximum height of 18" to the center of the box or match the mounting height of this single gang box with the height of other AC outlets that are installed in the same room as this appliance. **WARNING: DO NOT STAPLE** the 6' DC Power Inlet Harness to the wall studs.

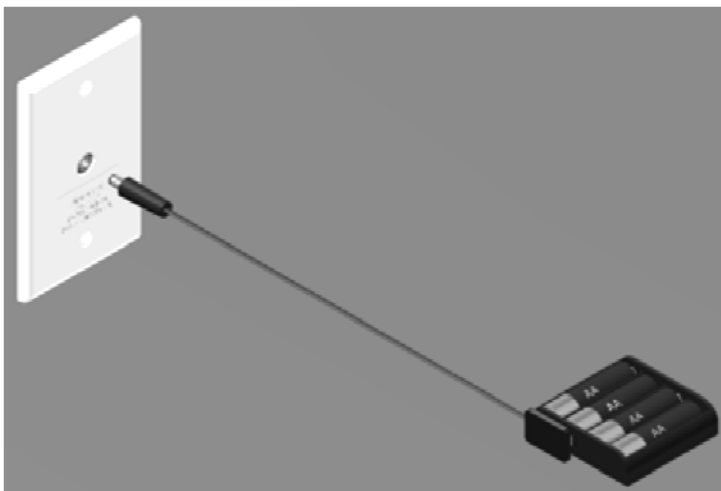
**COVER PLATES:** Two cover plates are supplied and are White and Beige in color. If the home décor requires a different color other than the two supplied colors, obtain one from a local hardware store. Make certain that the cover you obtain is exactly the same dimensions as the ones supplied with this fireplace.

**DECAL INSTALLATION:** A notification decal (label) is supplied with this fireplace that aids in identifying the DC Power Inlet. Attach this label to cover plate once installation is complete and verified.

**INSTRUCT HOMEOWNER:** Demonstrate to the homeowner how to attach the backup DC power pack during power outages. Instruct homeowner to retain the DC battery pack and the connecting harness in a safe and secure place for use during power outages.



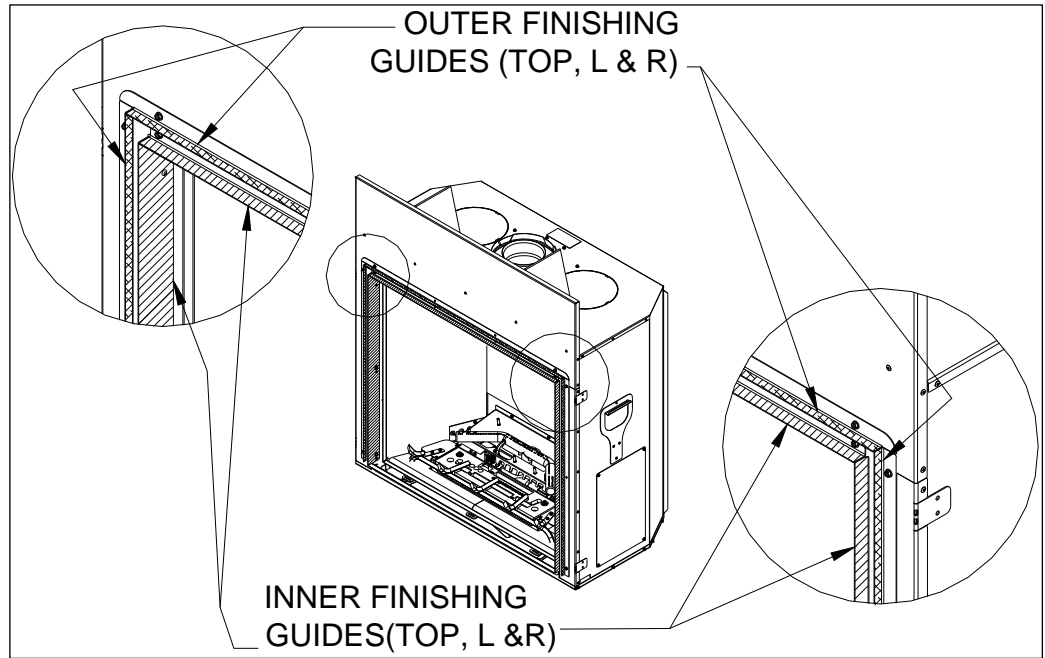
ATTACH DECAL TO COVER PLATE.



**FRAMING DEPTH and FINISHING GUIDES**

The framing depth for this fireplace is 22-1/2 inches. This is a fixed depth required for all installations, except a corner installation and for installations that use solid Granite or Marble slabs as fascia materials. For corner installations, General Appliance Specifications and Planning the Installation sections in this Manual.

For installing solid Granite or Marble slabs as fascia material, reduce the framing depth by 1/2" then install 1/2" thick drywall on the framing studs so that the drywall is flush with the front face of this fireplace. Install the Granite or Marble slab so that it adheres to the face of the fireplace and the drywall.



**Finishing Guides**

Two sets of Finishing Guides are supplied with this fireplace: One set is called the Outer Guide and the other set is called the Inner Guide. Both guides protrude out 1" from the face of this fireplace. Both guides are factory secured using screws and may be removed if not needed or may be permanently attached using 1/8" rivets that are supplied with this fireplace.

**Inner Guide:** Identify the Inner Finishing Guides (Top, Left and Right). These guides should be used as a guide for finishing materials if you are planning to install this fireplace as a "FULL VIEW" without any decorative front or if you are planning to install a "TRADITIONS GLASS FRAME OVERLAY" or a "PIONEER SCREEN DOOR KIT". Remove and discard the Outer Guides (Top and sides) if you plan to use the Inner Guides.

**Outer Guide:** Identify the Outer Finishing Guides (Top, Left and Right). These guides should be used as a guide for finishing materials if you are planning to install a "BENTLEY", "HOMESTEAD" or "WILLOW" door kit on this fireplace. Remove and discard only the Inner Guides (Top and Sides only) if installing a "BENTLEY", "WILLOW" or "HOMESTEAD" door kit and you plan to use the Outer guides.

| DECORATIVE FRONT TYPE                                    | INNER GUIDE | OUTER GUIDE                       |
|--|-------------|-----------------------------------|
| FULL VIEW/ NO FRONT                                      | USE         | DISCARD                           |
| TRADITIONS OVERLAY                                       | USE         | DISCARD                           |
| PIONEER DOOR KIT   | USE         | DISCARD                           |
| BENTLEY DOOR KIT (INCLUDES SPECIAL GUIDES)               | DISCARD     | DISCARD. SPECIAL GUIDES REQUIRED. |
| WILLOW DOOR KIT  | DISCARD     | USE                               |
| HOMESTEAD DOOR KIT                                       | DISCARD     | USE                               |
| All "GRACE" Kits (INCLUDES SPECIAL GUIDES WITH EACH KIT) | DISCARD     | DISCARD. SPECIAL GUIDES REQUIRED. |

**NOTE:** Make certain that the proper FINISHING GUIDES are installed before adding finishing fascia materials.

**FINISHING MATERIALS INSTALLATION**

All finishing materials that surround this fireplace's rectangle profile must extend out from the face surface of this fireplace 1 inch.

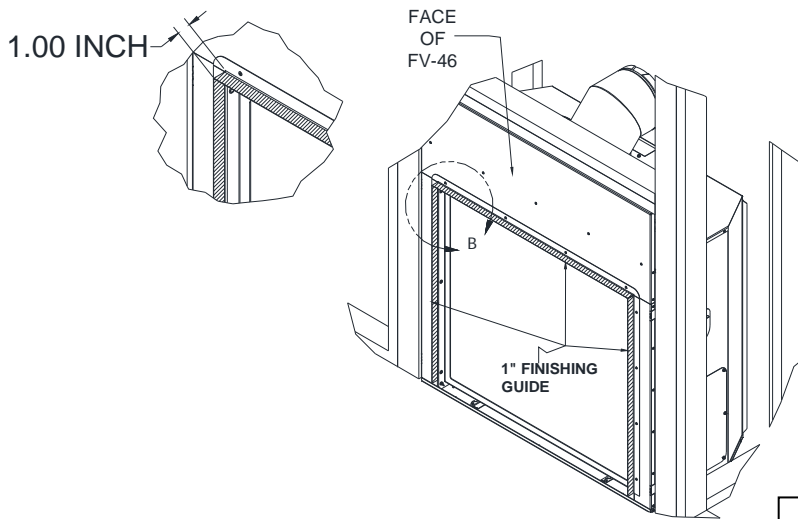
**Tiles and Faux Rock**

If installing Tiles or Faux Rock, first install a 1/2" thick (minimum) Cement Board (Hardibacker or Durock Brand) over the face of the fireplace and framing members. Follow by applying Thinset mortar (no polymer additives) using 1/4" square notched trowel on the cement board surface. Finally, install tile to reach a finish material depth of 1 inch.

**WARNING OF ODOR RISK:** Cement Boards used shall not contain any polymer based fibers or polymer materials.

**Marble and Granite Slabs**

If installing Marble or Granite slabs as fascia materials, specify that the inner edges that will be adjacent to the Glass Door are polished. Rough Framing should be created at 19" depth with the front surface of this fireplace protruding out 1/2" from the framing surface. Install 1/2" thick drywall on framing members so that its outer surface is flush with the front face of this fireplace. Attach Marble or Granite slabs to face of unit and to drywall surface using adhesive that does not offgas when hot.

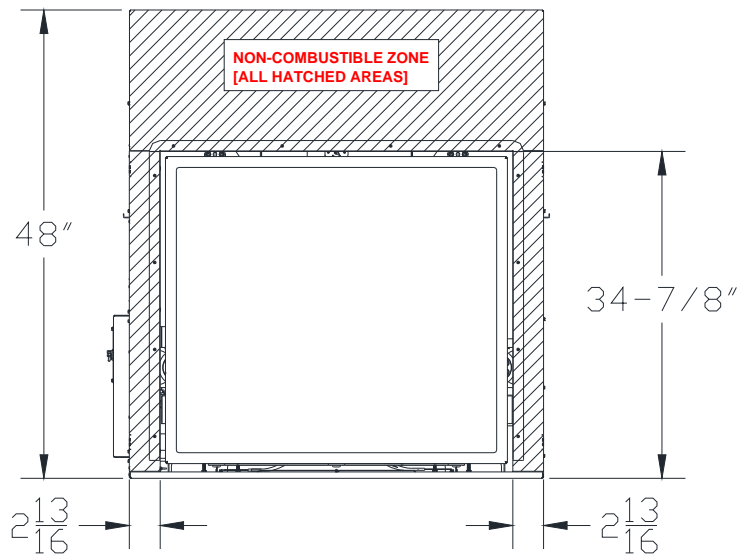


In the area defined as "NONCOMBUSTIBLE ZONE", only NONCOMBUSTIBLE MATERIALS ARE ALLOWED. When this fireplace is installed in a framed cavity that is 22-1/2" deep, the facing material finishing guide will protrude out into the room 1 inch. Build finishing materials to 1 inch thickness and use the built-in guides for edge alignment of fascia material. Consult section "FRAMING DEPTH and FINISHING GUIDES".

**WARNING OF ODOR RISK**  
Cement Boards used shall NOT contain any polymer based fibers or polymer materials OR edge protective stickers.

WARNING: The cross hatched areas labeled as "NONCOMBUSTIBLE ZONE" must be covered with noncombustible finishing materials that is 1-inch thick, minimum. DO NOT ALLOW COMBUSTIBLE MATERIALS TO ENCROACH IN THIS AREA!

NON COMBUSTIBLE ZONE  
[ALL HATCHED AREAS]





## HEARTH PROTECTION PAD REQUIREMENTS

Hearth Protection R Rating: **MINIMUM R-1 IS REQUIRED.** Use of a Micore 300 Board 1/2" thick plus 1/4" thick mortar (ThinSet type) plus 1/4" thick ceramic tile exceed the R-1 requirement. Use this as a reference, if in doubt. Natural Stones of 1" thickness with Micore 300 1/2" thick board beneath also exceed R-1 rating.

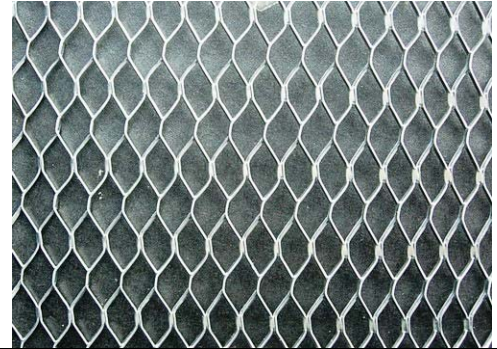
All hearth pads must be non-combustible (metal, brick, stone, or mineral fiberboard). **Do not use any combustible material to protect the floor in front of this fireplace.** For the FV-41, the hearth protection pad must be rated at R-1 minimum AND it must extend 18 inches in front of the fireplace face if the FV-41 fireplace is installed at floor level.

To achieve this required R-rating, employ 1/2" thick Micore Mineral Fiber Board 300 as the base substrate on top of the combustible floor construction or combustible raised hearth structure before you place additional finishing materials or natural stone products to achieve an R-1.03 rating.

Micore-300 Boards (1/2" thick) are available at local hardware stores in 48" X 24" size.

For applications where you want to attach tiles or stone slabs to the Micore Mineral Fiberboard 300, cut to size and secure metal lath screen to the top surface of the Micore board using 1" long screws which penetrate the screen, Micore board and the combustible floor structure under the Micore Board.

Proceed by applying ThinSet mortar (with no polymeric additives) which will not off gas at high temperatures and place tiles or stone slab on the ThinSet surface.

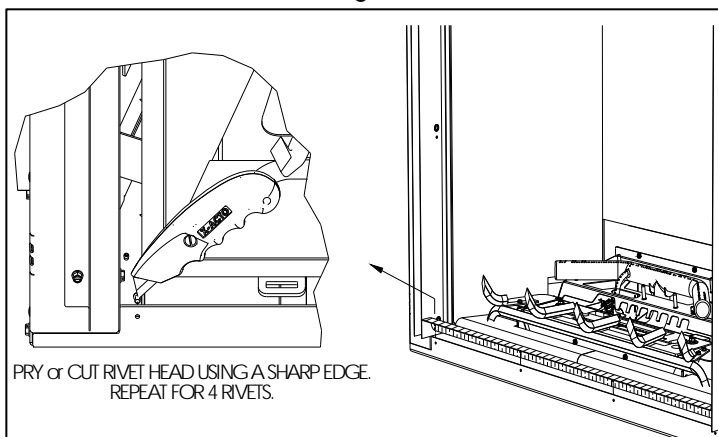
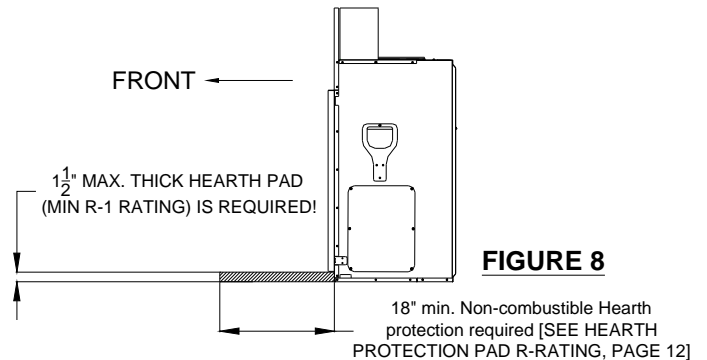


## Hearth Pad Guide- [Usage and Removal]

This fireplace is shipped with a Hearth Pad Guide Installed. The purpose of the Hearth Pad Guide is to limit the height of the Hearth Pad during installations. **DO NOT** build a Hearthpad that is more than 1-1/2" thick. Doing so will not allow installation of decorative fronts on this fireplace. After the Hearthpad is built, remove the Hearth pad guide and discard if you do not wish the guide to be visible. In some instances, you will want the guide left permanently, based on your aesthetic judgment.

To remove the Hearth Pad Guide, first remove the Glass Frame. Identify the plastic Rivet heads inside the fireplace body. Use a sharp utility knife to pry or cut the plastic rivet head and rivet base. Lift the Hearth Pad Spacer upwards and remove.

This fireplace may be installed in an elevated position by creating an elevated deck and an appropriate framed enclosure. **NOTE:** This fireplace may be elevated but **MUST** allow a minimum of 72" distance between this fireplace's floor level and the room ceiling.



**NOTE:** For every 1" this fireplace is raised off the floor, the non-combustible hearth protection pad may be reduced by 2". If this fireplace is raised off the floor more than 6", No hearth protection pad is required.

## **GENERAL INFORMATION**

Your Mendota Gas Fireplace has a state-of-the-art co-axial direct vent, sealed combustion system. This advanced and highly efficient system brings in outside air for combustion, has a separate exhaust vent and efficiently heats and re-circulates room air. The Mendota system maintains high air quality, maximizes efficiency and assures proper operation in today's "air-tight" homes.

## **SAFETY AND STRUCTURAL CONCERNS:**

The FV46 Fireplace must be installed and serviced by a Mendota approved serviceperson. Any adjustments to burner, pilot, logs or coal bed must be made by a Mendota approved service person. If pilot goes out, always wait five (5) minutes before attempting to relight pilot.

## **VENTING REQUIREMENTS:**

This Mendota Fireplace can be vented using any available brand DIRECT VENT coaxial pipe (5"X 8") off the top. Use only Mendota specified vents and vent caps when installing your fireplace. Closely follow venting locations, directions and requirements. Observe the restrictions relating to vent position on exterior of home. Be sure all vent pipe sections are fully twist-locked and leak-proof. Be sure 1000° Silicate Stove Sealant is used on the inner pipe joints of all Simpson DuraVent pipe components and all adjustable pipe sections.

The Mendota Direct Vent Fireplace may be placed within 18 inches of adjacent sidewalls. The fireplace may be placed directly on concrete or wood flooring. If the appliance is to be installed on carpeting, vinyl or other combustible material other than wood flooring, the appliance shall be installed on a metal or wood panel extending the full width and depth of the appliance. An 8" combustible mantel may be installed at a minimum of 16-5/8" above top of the heat outlet (51-1/2") up from the floor level of this fireplace) and no more than 8" out from wall at that height. Non-combustible (marble, brick, stone, etc.) mantels can be installed at any desired height above the top convection air opening. Combustible Mantels of any depth with a sheet metal protector plate in its under-side may only be installed **outside** the "NON-COMBUSTIBLE ZONE" above the top convection air opening.

Never block off convection air openings or paths. Always use Mendota decorative fronts and Mendota approved vent systems and vent caps.

A non-combustible hearth protector with a total insulation rating of R-1 is required when installing this fireplace directly on the floor and must extend a minimum of 18" in front of the fireplace. For every 1 inch the fireplace is raised off the floor, the depth of the hearth protector may be reduced by 2 inches. If fireplace is raised off the floor 6" or more, no hearth protector is required.

## **HEATING PERFORMANCE:**

With its high heat output this Mendota Fireplace will heat a large area of your home if located properly to maximize heat/ air circulation. Air movement options for maximizing heat circulation that can be considered are the continuous operation of central heating furnace blowers or ceiling fans. **The most efficient method for overall heat distribution within a single room is a ceiling fan.** The heat output of the Fireplace can be reduced to a low 13,000 BTUH by turning off the Rear Burner and reducing flame height using the remote control. Blower can be turned down or turned off to reduce heat output.

## **AESTHETIC CONSIDERATIONS:**

Burning or static fireplaces are a major aesthetic focus in any room. Locate your gas fireplace as you would a television set. The Mendota Hearth Gas Fireplace will be a continuing source of comfort and fascination. Corner installations will afford you the greatest potential for viewing in many rooms. We suggest installing this Mendota Fireplace a minimum of 12 inches above the floor by utilizing an elevated hearth. This fireplace may be installed in an elevated position as long as 72 in. minimum distance is provided between the floor level of this fireplace and the room's ceiling surface.

## **ELECTRICAL REQUIREMENTS:**

Electronic Ignition System, Dual Blowers and an Accent Light system are included in this Mendota Direct Vent Fireplace. These devices require constant electrical power except during power outages. A 115-volt electrical service must be supplied at the fireplace location at the time of installation, on the left side of this fireplace. It must be electrically grounded in accordance with local codes, or in their absence, with the current edition of the National Electric Code ANSI/NFPA 70. Use of a wall switch control in the power supplied to this fireplace is allowed.

Thermostatic function is included in the Remote Control Transmitter. Therefore, no Thermostat wire is required.

**GAS SUPPLY REQUIREMENTS**

Correct gas pressure and proper gas supply line sizing is imperative to the successful performance of your Mendota gas fireplace. Be sure the gas supplier or plumber carefully checks for correct gas pressure and gas line sizing when installing the fireplace.

- It is critical to carefully check for gas leaks when hooking up the fireplace -- check with soap & water solution.
- Be sure to install "approved" flex gas line with brass-to-brass fittings to prevent gas leaks at connections.
- Gas supply piping must include a drip leg to eliminate the possibility of contaminants entering the gas train.
- Adhere strictly to local and national codes for entire installation.
- Correct gas pressure and proper gas supply line sizing is required.

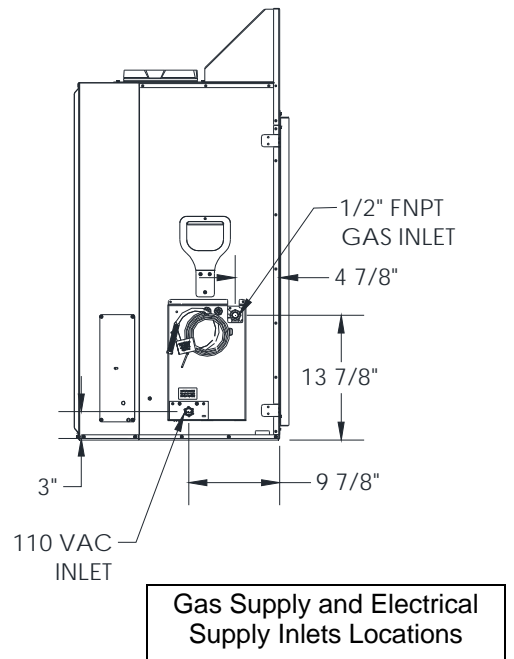
**GAS SUPPLY LINE SIZING**

This Mendota Gas Fireplace comes equipped with a 1/2" N.P.T. Female inlet. Gas supply piping must enter the Fireplace cabinet on the left side.

An approved manual shut-off ball valve, as required by local codes must be installed at an accessible location. The appliance and its individual shut-off valve must be disconnected from the gas supply piping system during any pressure testing of that system at test pressures in excess of 1/2 PSIG (3.5 kPa).

The appliance must be isolated from the gas supply piping system by closing its manual shut-off ball valve during any pressure testing of the gas supply piping system at test pressures equal to or less than 1/2 PSIG (3.5 kPa).

A proper gas line diameter must be selected to run from the supply regulator to the Fireplace. Refer to the following table for proper gas pipe diameters. Strictly adhere to the correct pipe sizes.



**WARNING:** Never use any type of pipe thread sealants or compounds on the seats of flare or compression connections.

| PIPE LENGTH (FEET) | SCHEDULE 40 PIPE INSIDE DIA. |               | TUBING, TYPE L OUTSIDE DIA. |               |
|--------------------|------------------------------|---------------|-----------------------------|---------------|
|                    | NAT.                         | L.P.          | NAT.                        | L.P.          |
| 0-10               | 1/2" (1.3 cm)                | 3/8" (1.0 cm) | 1/2" (1.3 cm)               | 3/8" (1.0 cm) |
| 10-40              | 1/2" (1.3 cm)                | 1/2" (1.3 cm) | 5/8" (1.6 cm)               | 1/2" (1.3 cm) |
| 40-100             | 1/2" (1.3 cm)                | 1/2" (1.3 cm) | 3/4" (2.0 cm)               | 1/2" (1.3 cm) |
| 100-150            | 3/4" (2.0 cm)                | 1/2" (1.3 cm) | 7/8" (2.3 cm)               | 5/8" (1.6 cm) |
| 150-200            | 3/4" (2.0 cm)                | 1/2" (1.3 cm) | 7/8" (2.3 cm)               | 3/4" (2.0 cm) |

**NOTE:** Some areas allow coated stainless steel (CSST), copper tubing or galvanized pipe - check with local approval agencies and codes. NEVER use plastic pipe.

**GAS PRESSURE CHECKING REQUIREMENTS**

Inlet and manifold gas pressure checking taps are located on gas valve. Perform inlet and outlet pressure tests before completing the facing installation. Remove valve access cover box on left side of fireplace to access the gas valve and all control components.

A qualified installer shall take pressure measurements at these ports to verify and set the correct inlet gas pressures during initial installation. Outlet gas pressures are factory-set and cannot be field adjusted.

**NOTE:** Check for gas leaks with soap and water solution on all factory joints and field installed joints during first firing of this appliance.

## GAS PRESSURE REQUIREMENTS

One of the main causes of operating problems with gas appliances can be improper gas pressure!

Problems such as changes in flame color or configuration, gas pilot or burner outages, intermittent operation, changes in heat output, excessive burner noise, etc. are nearly always the result of changes in gas pressure or improper gas pressure at the time of the installation. The most important item to check during initial installation and the first thing to check when problems occur are the input and output gas pressures!

Gas is normally supplied to a residence at 1/2 PSI (13" - 15" W.C.) (3 KPA). A pressure regulator is then placed outside the residence, near the gas meter, which drops this pressure to 7" W.C. (1.8 KPA) (Nat. Gas). This "inches to inches" regulator is of adequate capacity to service the gas appliances (such as dryer, furnace, etc.). If this regulator's capacity is not sufficient to add the Gas Fireplace, an additional "inches to inches" regulator must be installed for the Fireplace. **EXCEPTION:** Some codes allow 2-PSI (1.4KPA) supplies to enter the residence, in which case "pounds to inches" regulators are used.

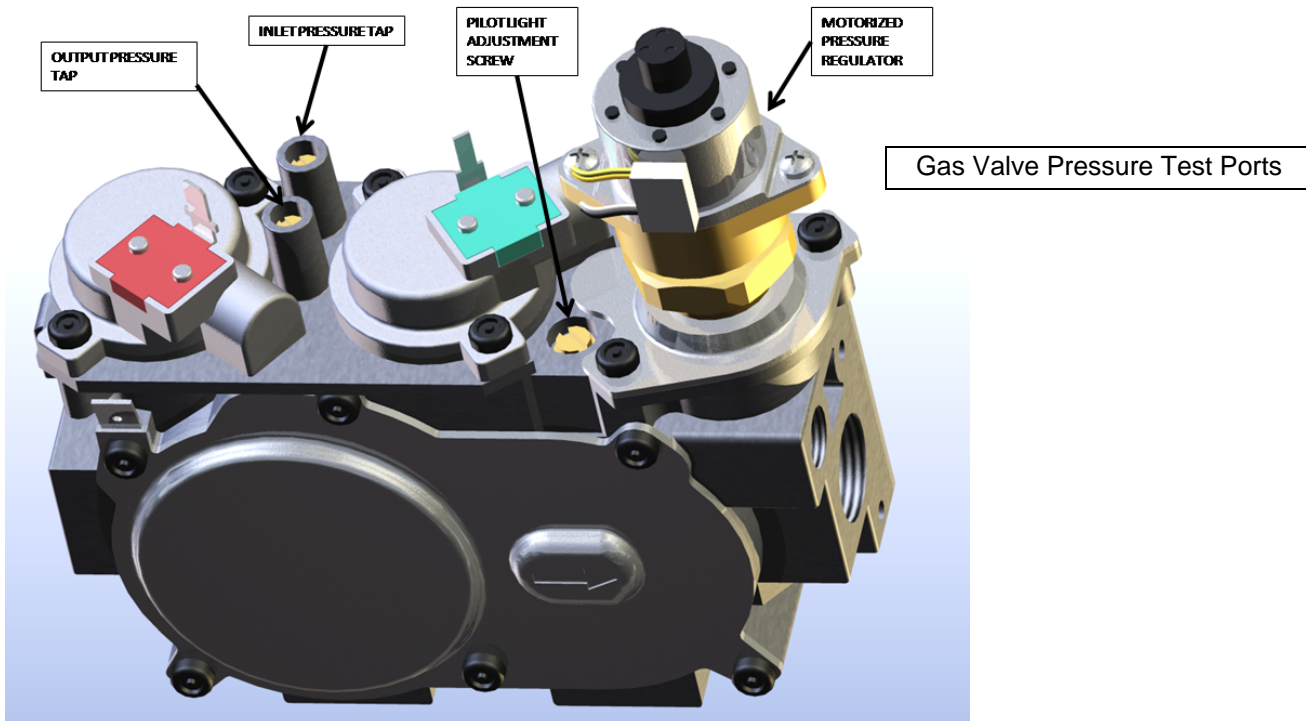
The following table provides information on correct gas pressure requirements. Be sure your gas supplier or plumber carefully follows this table.

### GAS PRESSURE REQUIREMENTS

|                    | DESIRED INLET PRESSURE          | MINIMUM INLET PRESSURE  | MAXIMUM INLET PRESSURE   | MANIFOLD OUTLET PRESSURE | AIR SHUTTER POSITION*    |
|--------------------|---------------------------------|-------------------------|--------------------------|--------------------------|--------------------------|
| <b>NATURAL GAS</b> | <b>7.0" W.C.</b><br>(1.75 kPa)  | 5.0" W.C.<br>(1.12 kPa) | 11" W.C.<br>(2.61 kPa)   | 3.5" W.C.<br>(0.87 kPa)  | 0 - 1/8 " OPEN<br>(3 mm) |
| <b>L.P. GAS</b>    | <b>11.0" W.C.</b><br>(2.75 kPa) | 11" W.C.<br>(2.75 kPa)  | 13.0" W.C.<br>(3.24 kPa) | 10.0" W.C.<br>(2.5 kPa)  | 1/4" OPEN MIN.<br>(5 mm) |

**NOTE:** For altitudes above 2,000 feet some variations in air shutter settings may be required.

Manifold pressure must be taken at the "OUTPUT PRESSURE" tap and inlet pressure at the "INLET PRESSURE" tap **with the burner operating** by a qualified installer. Perform pressure tests prior to installing fascia material around this fireplace.



## GENERAL INSTALLATION INSTRUCTIONS

**CAUTION:** Each installation must conform to all local, state and national codes. Refer to the national fuel gas code and local zoning and code authorities for details on installation requirements. The Mendota Fireplace must be vented to the outside in accordance with the latest edition of the National Fuel Gas Code. In the absence of local codes, the installation must conform to the most current edition of the National Fuel Gas Code ANSI Z223.1, also known as NFPA 54. NOTE: The Mendota FV46 Fireplace is approved for mobile home and bedroom installations.

**CAUTION:** The Mendota FV46 Fireplace may be installed in a manufactured (mobile) home after the first sale of the home. Manufactured home (mobile home) installation must conform with the Manufactured Home Construction and Safety Standard, Title 24 CFR, Part 3280, or, when such a standard is not applicable, the Standard for Manufactured Home Installations, ANSI A225.1/NFPA 501A, or CSA Z240.4-Gas Equipped Mobile Housing. Consult your local building official. Note: For mobile home installations unit must be bolted to the floor and properly grounded.

**The FV46 Fireplace must be installed by a qualified service person.**

### **HIGH ALTITUDE INSTALLATION INFORMATION:**

Prior to installing at altitudes greater than 7500, please contact the Mendota technical service department for specific venting requirements and venting restrictions.

1. After selection of the desired fireplace location, prepare the rough opening using framing dimensions on page 10. Be sure to also prepare opening to allow for co-axial vent).
2. Check to make certain all venting requirements and locations are being followed.
3. This Fireplace is designed for installation into rough framing. **NOTE:** FRAMING MATERIAL ABOVE FIREPLACE **MUST MAINTAIN CORRECT CLEARANCE TO FIREPLACE AND VENT PIPES.**

**WARNING:** One-inch clearance to sides & below and 3 inches clearance on top of horizontal vent sections and elbows are required.

4. NOTE: A removable panel in the enclosure for future visual inspection of flue connection is recommended.
5. Have an electrician install a 115-Volt supply to the junction box on lower left side of the fireplace cabinet. Connect wires using wire nuts. Make sure the grounding wires are properly connected and that the installation conforms to all local and national wiring codes.
6. Have gas supplier or qualified plumber install gas supply line to fireplace and connect to the ½" female connector. Be sure gas and plumbing instructions and all local and national codes are carefully followed.

**IMPORTANT:** Any safety screen, guard, glass, grill etc. removed for servicing be replaced prior to operating this fireplace.

Junction Box

this fireplace must

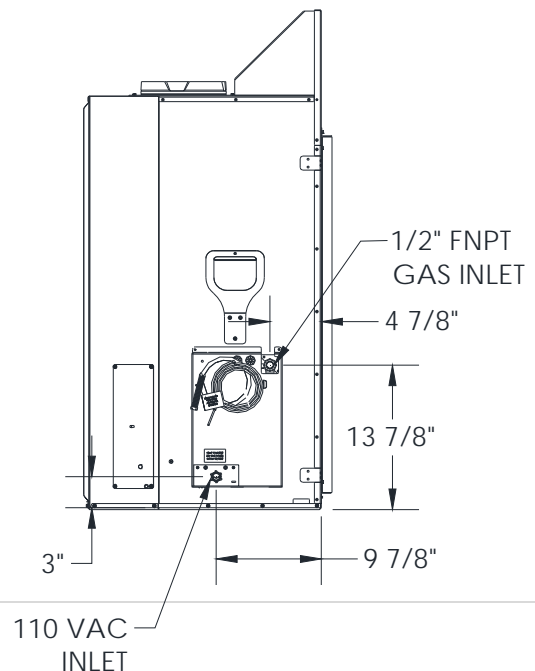
### **BLOWER OPERATION**

The blower output can be regulated with the remote (included).

NOTE: There will be a time delay in blower operation during "heat-up" (5 min.) and extended blower operation during "cool-down" of unit (12-1/2 min.).

### **OPERATION DURING POWER OUTAGES**

The fireplace is designed to operate during power outages on back-up batteries. The blower and Accent Light will not operate during the power outage. Plug in the backup battery pack harness connector to the wall DC Power Inlet connector.



## GENERAL FLUE VENTING INSTRUCTIONS

The Mendota Fireplace must be vented using the Mendota approved vent system components. Approved brands of vent components include DuraVent, Amerivent, Selkirk and Security vent pipes and venting components. All warranties will be voided and serious fire, health or other safety hazards may result from any of the following actions: Installation by unauthorized personnel; installation of any damaged component; unauthorized modification of vent system; installation of any components not approved by Mendota; failure to meet all clearance requirements; failure to properly twist-lock and positively seal all components. Consult local building codes before beginning the installation.

### **WARNING**

Always maintain required clearances (air spaces) to combustibles to prevent a fire hazard. Do not fill air spaces with insulation. Check installation instructions for minimum clearance requirements between the outer walls of the vent pipe and nearby combustible surfaces. Be sure to check the vent termination clearance requirements from decks, windows, soffit, gas regulators, air supply inlets, and public walkways, as specified in these installation instructions and local building codes.

**SAFETY PRECAUTIONS FOR THE INSTALLER:** 1) Wear gloves and safety glasses for protection; 2) Exercise extreme caution when using ladders or on rooftops; and 3) Be aware of electrical wiring locations in walls and ceilings.

This gas appliance and vent system must be vented directly to the outside of the building, and never attached to a chimney serving another solid fuel or gas burning appliance. Each direct vent gas appliance must have its own separate vent system. Common vent systems are prohibited.

To assure proper venting performance of this high-performance Mendota Direct Vent Fireplace, it is critical that all brands of vent pipe sections are sealed tightly and leak-proof. This means that all pipe sections must be carefully rotated into the fully "twist-locked" position.

**We strongly recommend that fixed length pipe sections be used in place of telescoping sections whenever possible.**

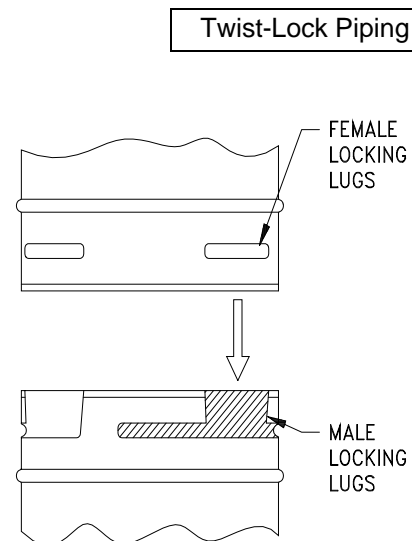
**Note:** When using vent pipe and components that do not incorporate a fiberglass or graphite gasket at the inner exhaust tube joints, you must use Milpak 1000F silicate stove sealant (#65-06-00909). Aluminum foil tape may be used on the outer (air intake) pipe joint but is not mandatory. Local Codes may vary. Contact your dealer for proper materials.

Do not separate telescoping sections. They must be used as complete assemblies.

### **COMPONENT "TWIST-LOCK" CONNECTION PROCEDURE**

DuraVent and American Metals pipe and fittings are designed with special twist-lock connections. Twist-lock procedure is as follows: four (4) indentations, located on the female ends of pipes and fittings are designed to slide straight in to the male ends of the adjacent pipes and fittings, by orienting the four pipe indentations so that they match and slide into the four entry slots on the male ends.

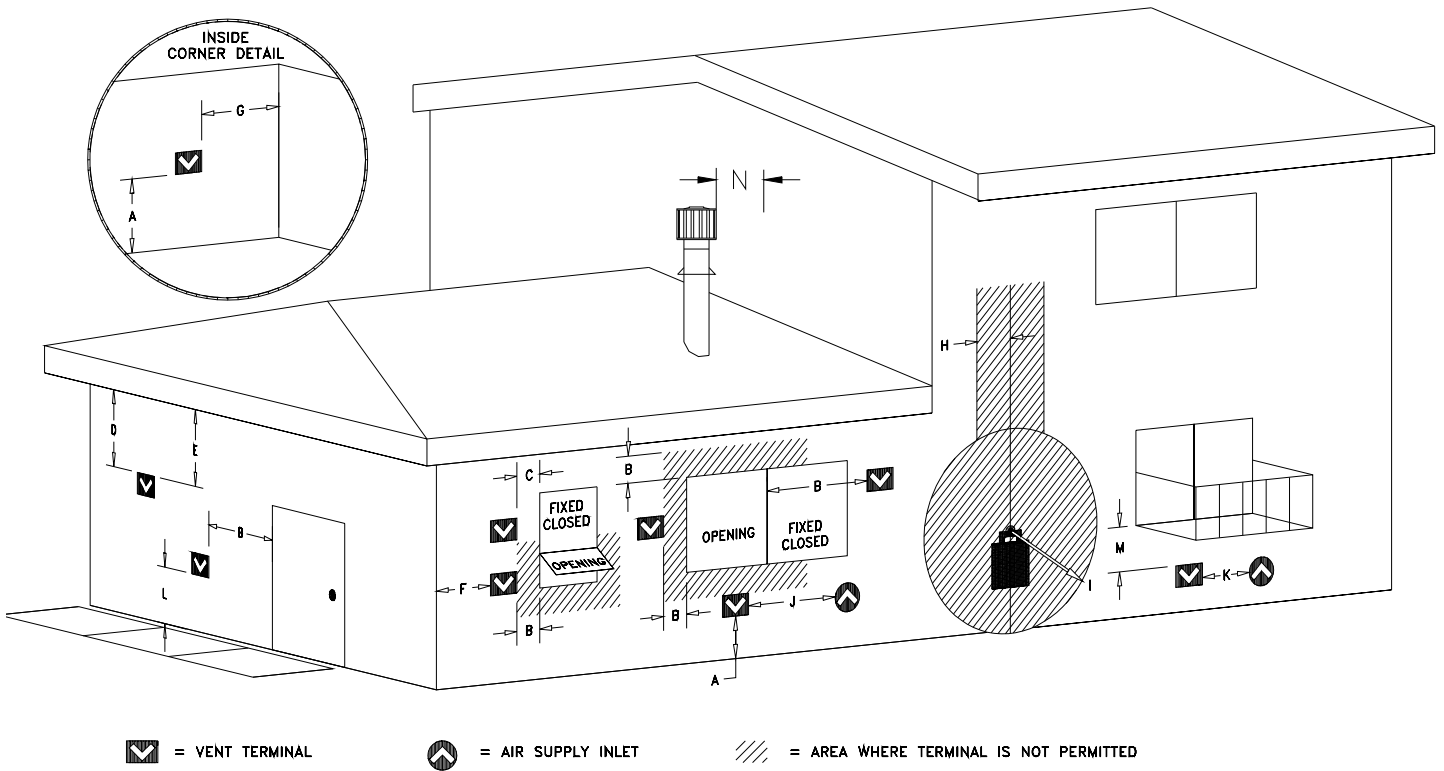
Push the pipe sections completely together then twist-lock one section clockwise, approximately  $\frac{1}{4}$  turn until the two sections are fully locked. The female locking lugs will not be visible from the outside on the black pipe or fittings. They may be located by examining inside of the female ends.



### **HIGH ALTITUDE INSTALLATION INFORMATION**

Prior to installing at altitudes higher than 7500, please contact the Mendota technical service department for specific venting requirements and venting restrictions.

# EXTERIOR VENT LOCATIONS AND RESTRICTIONS



## ✓ - Vent Terminal

## ⤴ - Air Supply Inlet

## ≡ - Area where terminal is not permitted

- A = Clearance above grade, veranda, porch, deck, or balcony (\*12 inches (30 cm) minimum). Vinyl surfaces require 24" min.
- B = Clearance to window or door that may be opened (\*12 inches (30 cm) minimum).
- C = \*Clearance to permanently closed window (minimum 12 inches (30 cm) recommended to prevent condensation on window)
- D = \*Vertical clearance to ventilated soffit located above the terminal from the center-line of the terminal 24" (60 cm) min.
- E = \*Clearance to unventilated soffit 24" min (60 cm) min.
- F = Clearance to outside corner - 7 inches (18 cm).
- G = Clearance to inside corner - 12 inches (30 cm). Vinyl surfaces require 24" min (60 cm).

- H = \*Not to be installed above a meter/regulator assembly within 3 feet (90 cm) horizontally from the center-line of the regulator
- I = \*Clearance to service regulator vent outlet \*3 feet (92 cm) minimum.
- J = \*Clearance to non-mechanical air supply inlet to building or the combustion air inlet to any other appliance. 12 inches (30 cm) minimum.
- K = \*Clearance to a mechanical air supply inlet 6 feet (1.8 m) minimum
- L = † Clearance above paved side-walk or a paved driveway located on public property (\*7 feet (2.1 m) minimum)
- M = Clearance under veranda, porch, deck, or balcony (\*12 inches (30 cm) minimum ‡)
- N = Minimum 24" horizontal clearance to any surface, such as an exterior surface, for vertical terminations.

### **ALL MEASUREMENTS FROM CENTER-LINE OF VENT CAP**

† A vent shall not terminate directly above a sidewalk or paved driveway, which is located between two single-family dwellings and serves both dwellings.

‡ Only permitted if veranda, porch, deck, or balcony is fully open on a minimum of two sides beneath the floor.

\* As specified in CGA B1:19 Installation Codes (1991). **Note:** Local codes or regulations may require different clearances. Clearances are in accordance with local installation codes and the requirements of the gas supplier. *Dégagement conforme aux codes d'installation locaux et aux exigences du fournisseur de gaz.*

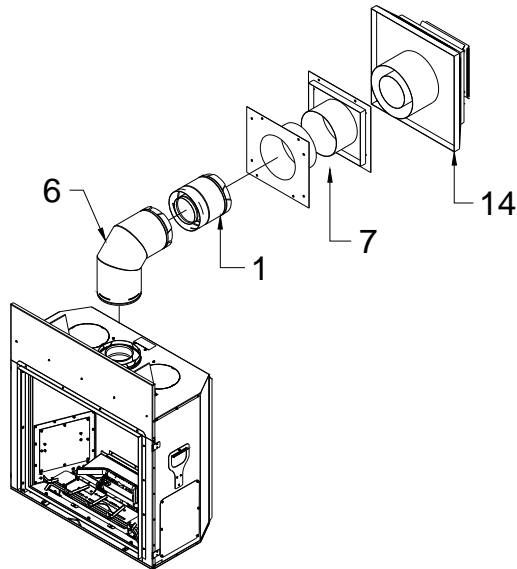
## FLUE VENTING COMPONENTS IDENTIFICATION

**DO NOT SEPARATE TELESCOPING SECTIONS.  
USE TELESCOPING SECTIONS AS COMPLETE ASSEMBLIES.**

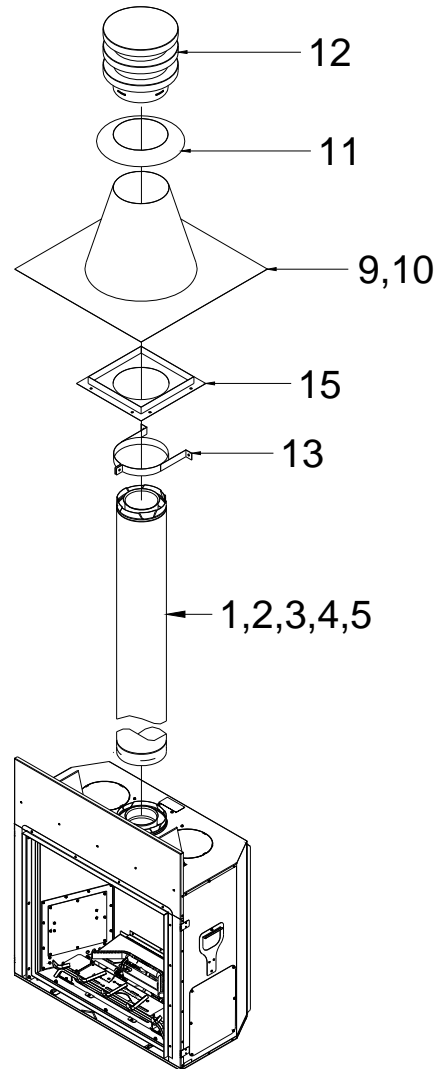
### **HIGH ALTITUDE INSTALLATION INFORMATION:**

Prior to installing at altitudes higher than 7500, please contact the Mendota technical service department for specific venting requirements and venting restrictions.

| ITEM | DESCRIPTION                              |
|------|--|
| 1    | 6" or 7" PIPE (DuraVent 6"/Amerivent 7") |
| 2    | 12" VENT STACK                           |
| 3    | 24" VENT STACK                           |
| 4    | 36" VENT STACK                           |
| 5    | 48" VENT STACK                           |
| 6    | 90° GALVANIZED ELBOW                     |
| 7    | 45° GALVANIZED ELBOW                     |
| 8    | ADJUSTABLE WALL THIMBLE                  |
| 9    | ATTIC INSULATION SHIELD 12"              |
| 10   | ROOF FLASHING (0/12 TO 6/12)             |
| 11   | ROOF FLASHING (7/12 TO 12/12)            |
| 12   | STORM COLLAR                             |
| 13   | VERTICAL VENT CAP                        |
| 14   | SUPPORT BAND                             |
| 15   | HORIZONTAL VENT CAP                      |
| 16   | FIRE STOP SPACER                         |



**Flue Venting Components**





**FV46 MASTER FLUE VENTING REQUIREMENTS CHART**

**NOTE: THIS CHART IS APPLICABLE TO BOTH NATURAL GAS AND LPG INSTALLATIONS.**

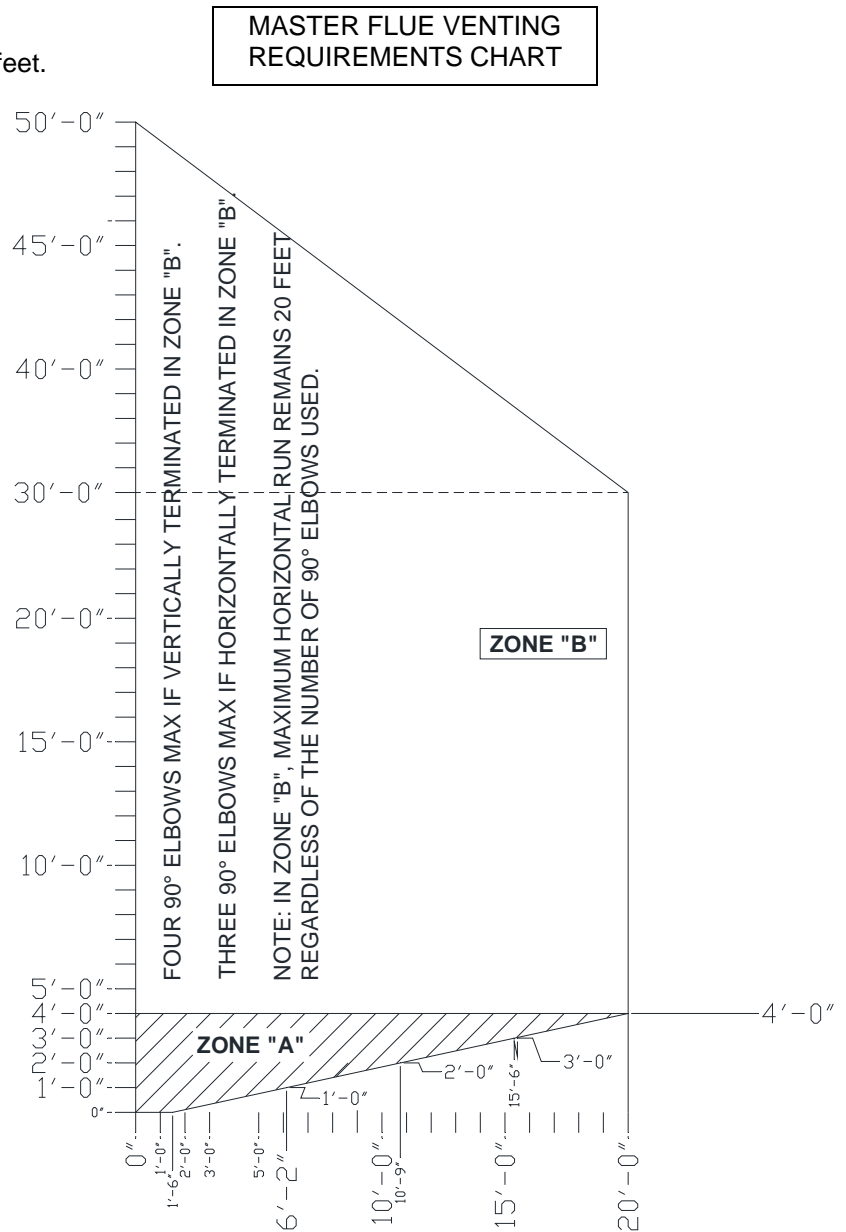
**IMPORTANT NOTES:**

1. 18 inches maximum horizontal pipe run allowed with a 90° elbow connected directly to this fireplace’s flue starter collar.
2. Maximum Vertical Run allowed is 50 feet.
3. Maximum Vent System length allowed is 50 feet.
4. In **Zone “A”**, 20 feet maximum horizontal run allowed with a 4 feet starter section. If the starter vertical section is less than 4 feet, use the chart and reduce 3 feet for every 90° elbow installed after the first 90° elbow.
5. In **Zone “B”**, 20 feet maximum horizontal run allowed only if the first vertical section connected directly to the top of this fireplace is 4 feet or longer. Three 90° elbows may be installed anywhere within the 20 feet horizontal run. No reduction in horizontal is required for the 90° elbows used.

**HIGH ALTITUDE INSTALLATION**

**INFORMATION:** Prior to installing at altitudes higher than 7500, please contact the Mendota technical service department for specific venting requirements and venting restrictions.

| V min          | H max  |
|----------------|--------|
| 0 in.          | 18"    |
| 6 in.          | 3'     |
| 12 in.         | 6'     |
| 18 in.         | 8'     |
| 24 in.         | 11'    |
| 36 in.         | 15'6"  |
| 4 ft. - 30 ft. | 20'    |
| 31ft. - 50 ft. | Varies |



## IMPORTANT VENTING CONFIGURATION NOTES

See [MASTER FLUE VENTING REQUIREMENTS CHART].

**HIGH ALTITUDE INSTALLATION INFORMATION:** Prior to installing at altitudes higher than 7500, please contact the Mendota technical service department for specific venting requirements and venting restrictions.

### MAXIMUM HORIZONTAL RUN

- A. Maximum Horizontal Run allowed is 20 feet if a vertical starter section that is between 4 feet to 30 feet is connected directly to this fireplace's flue starter collar and no more than three (3) 90 degree elbows are used.
- B. Maximum Horizontal Run allowed is 18" if a 90-degree elbow is connected directly to this fireplace's flue starter collar.

### MAXIMUM VENT SYSTEM LENGTH

- A. Combined total length of all straight pipe sections in the vent system shall be less than 50 feet.
- B. Combined total length of all straight pipe sections in the vent system shall be less than 50 feet when using three (3) 90-degree elbows or equivalent and terminating the vent system horizontally.
- C. Combined total length of all straight pipe sections in the vent system shall be less than 50 feet when using four (4) 90-degree elbows or equivalent and terminating vertically.

### HOW TO CALCULATE THE VENT SYSTEM LENGTHS

For calculation purposes and usage of charts in this manual, simply add the lengths of all individual straight pipe sections. For example: if you use two 2-foot lengths and one 4-foot length, the total vent system length will be  $2+2+4 = 8$  feet.

### USING 90° ELBOWS IN ZONE "B"

The FV46 Fireplace by MENDOTA allows maximum flexibility in the use of 90° elbows in the vent system. The length of the first straight vertical section directly connected to the fireplace's starter collar determines the maximum horizontal run and the number of 90° elbows allowed for this fireplace.

For vent systems that provide a starting vertical section that is 4 feet or longer, you may connect up to 20 feet of horizontal pipe and up to three (3) 90° elbows within the 20 feet run in any configuration and terminate the vent horizontally. No reduction in horizontal run is required for the elbows used as long as the 4 feet long vertical starter section is connected directly to this fireplace's starter collar.

### USING 90° ELBBOWS IN ZONE "A"

For vent systems that provide a starting vertical section less than 4 feet, the following rules apply:

- a. You must use the Master Flue Venting Requirements Chart. See Zone "A" below the 4' vertical run line.
- b. A single 90° vertical-to-horizontal elbow is already calculated into the allowable maximum 20' horizontal run. The Venting Requirements Chart (**Error! Reference source not found.**) assumes that for all horizontal runs calculated, one 90° elbow is used within the venting system. **Each additional 90° elbow reduces the maximum horizontal distance by 3'.**
- c. If you plan to use more than one 90° elbow within the vent system, first use the Venting Requirements Chart and calculate the maximum horizontal run you are allowed based on the first vertical section connected directly to the fireplace. From this maximum horizontal run calculated, subtract 3 feet for each additional 90° elbow you will use.

**Example 1:** Assume you are using a 3 feet long starter vertical section. This should allow, 15-1/2 feet of horizontal run. If you want to use three 90° elbows, subtract 6 feet for two elbows from the 15-1/2 feet maximum allowed [3 feet for each elbow after the first elbow]. This yields 9-1/2 feet as the maximum horizontal run that you are allowed to install using the 3 foot vertical starter section.

**CAUTION:** If a vertical-to-horizontal discharge elbow or a horizontal-to-horizontal discharge elbow is enclosed within a wall, floor or ceiling, a top air space clearance of 3" must be maintained.

### USING 45-DEGREE ELBOWS

Two 45-degree elbows may be used in place of one 90-degree elbow. On 45-degree runs, one foot of diagonal pipe is equal to 8-1/2 inches horizontal run and 8-1/2 inches vertical run. Two 45-degree elbows may be connected directly to the vent starter adapter on this fireplace to create an offset to provide the required clearances to combustible framing or sheathing materials.

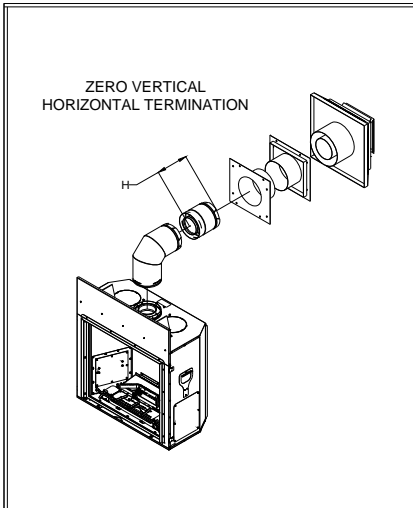
Two 45-degree elbows may be connected directly to the top of this fireplace to create a horizontal offset. 20 feet maximum horizontal run allowed with this offset configuration only if the first vertical section connected directly to the last 45-degree elbow is more than 4 feet long. For maximum allowable horizontal distances with the 45-degree offsets, see the Master Venting Configuration Chart.

**Note:** Each horizontally positioned 45° elbow reduces the maximum horizontal distance by 1½'.

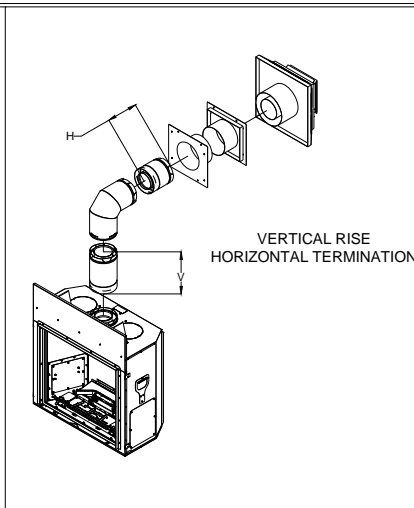
**SUPPORT:** Horizontal runs of pipe will require one vent support for every 3 ft. of pipe.

**APPROVED VENT SYSTEMS**  
**QUICK REFERENCE CHART**

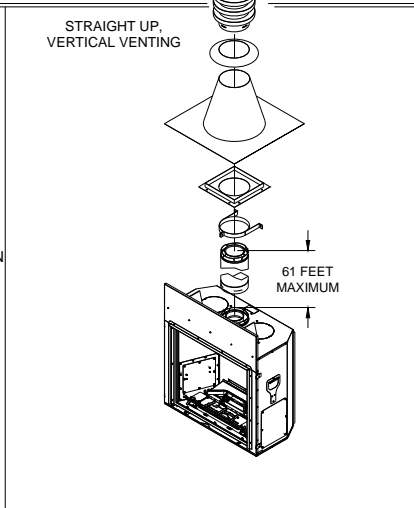
**Approved Vent Systems**



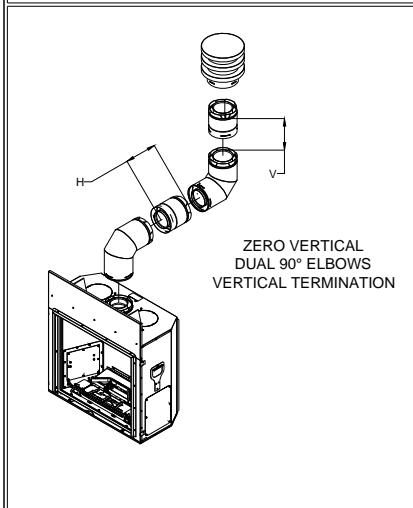
**APPROVED**



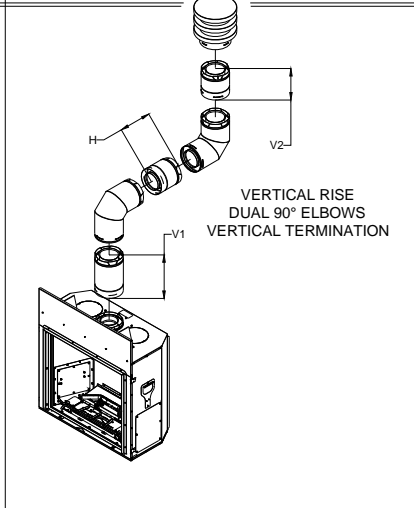
**APPROVED**



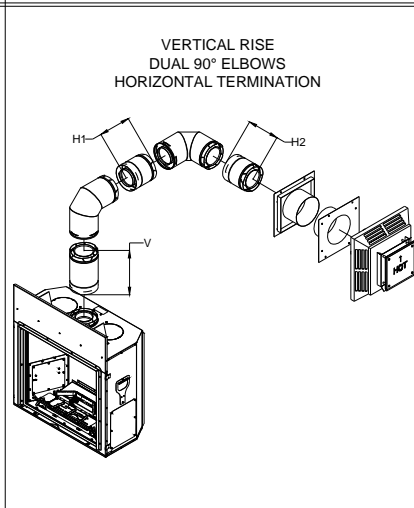
**APPROVED**



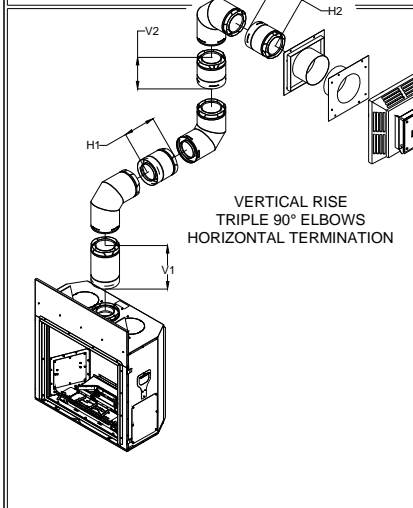
**APPROVED**



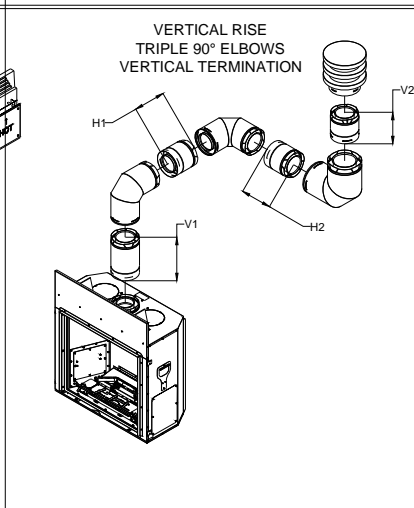
**APPROVED**



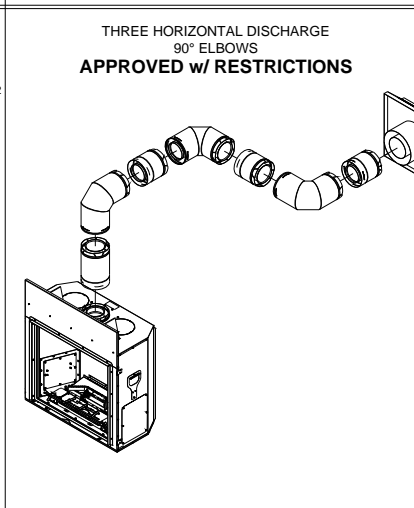
**APPROVED**



**APPROVED**



**APPROVED**



**APPROVED**

## ZERO RISE HORIZONTAL TERMINATION

**The FV46 Fireplace must be installed by a qualified Mendota approved serviceworker.**

A Maximum Horizontal Run allowed is 18 inches if a 90-degree elbow is connected directly to this fireplace's flue starter collar.

When a 90-degree elbow is connected directly to this fireplace, the horizontal centerline of the 90° elbow will be 47" inches up from the floor level of this Fireplace.

See MASTER FLUE VENTING REQUIREMENTS CHART.

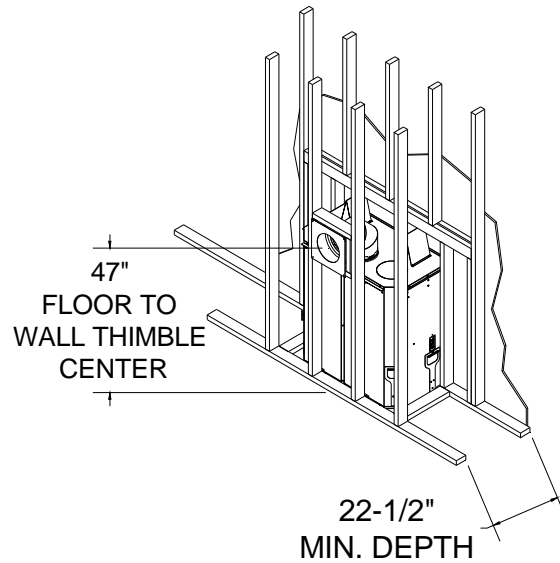
Use "fixed" pipe sections in place of adjustable pipe sections wherever possible. 1000° sealant must be used on ALL inner pipe joints that do not have factory installed gasket material.

Always maintain 1" clearance from vent pipe sides and bottom to combustibles, 2" clearance on top of pipe on horizontal runs and on top of horizontal discharge elbows. Do not fill air spaces with insulation or other material.

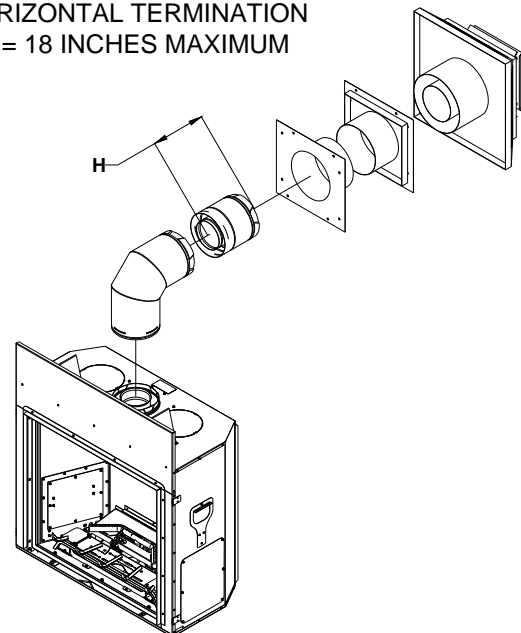
1. Position fireplace in desired location. See Exterior Vent Locations and Restrictions section for guidelines on proper vent cap placement on the exterior of home. Check to determine if wall studs are in the way when venting system is attached. If this is the case, you may want to adjust the fireplace location or modify the exterior wall framing to allow the vent system to penetrate the wall.
2. Measure from the floor level of the fireplace up 45-1/2" inches [add 1/4" rise for every foot of horizontal run] and mark wall directly at the center of where the vent pipe will penetrate the exterior wall.
3. Cut and frame a 10-3/4" wide x 10-3/4" high opening in the wall. The hole must be positioned so the vent system will run level or have a 1/4" rise per foot of run AND be perpendicular to the wall. The height of the opening must be located to meet all local and national building codes. Do not allow the termination to be easily blocked or obstructed. If wall being penetrated is non-combustible material, i.e. masonry block, brick, etc., a 9-inch diameter hole is acceptable.
4. Attach the 90-degree elbow to the fireplace starter adapter. Attach a horizontal section to the 90-degree elbow. Be sure all vent component connections are in their fully twist-locked position and are leak-proof. Be sure 1000° sealant is used on the
5. From the exterior of the home, slide the horizontal vent cap over the end of the horizontal pipe and tightly secure the cap to the wall with screws. Seal with a high quality caulking.

**NOTE:** Combustible wall thickness must be 4" to 8" maximum

**NOTE:** Vent Cap should not be recessed into wall or siding.



ZERO VERTICAL  
HORIZONTAL TERMINATION  
H = 18 INCHES MAXIMUM



Horizontal Termination

## VERTICAL RISE HORIZONTAL TERMINATION

The minimum vertical section required to be connected directly to the starter adapter on this fireplace is 48 inches when used with a maximum horizontal run of 20 ft. If the total length of the vertical sections connected directly to the starter adapter on this fireplace is between 4 feet and 41 feet, you are allowed a maximum 20 feet horizontal run. This fireplace provides a maximum flexibility in the use of 90° elbows when more than 4 feet of vertical starter section is connected to the starter collar. If 4 feet or more vertical section is connected to the starter collar, you may use three 90 degree elbows and 20 feet of horizontal pipe sections. No reduction in horizontal run is required for the use of the elbows. For other venting configurations within these maximum limits, see Master Flue Venting Requirements Chart, Zone A and Zone B.

Combined total length of all pipe sections (include restriction of elbows) in the vent system shall be less than 64 feet.

**NOTE:** The horizontal run of vent pipe must be level or have a ¼" rise for every 1' of run toward the termination. Never allow the vent to run downward. This will cause high temperatures and the possibility of a fire.

### This FV46 Fireplace must be installed by a qualified Mendota service person

1. Position fireplace in desired location. See Exterior Vent Locations and Restrictions section for guidelines on proper vent cap placement on exterior of home. Check to determine if wall studs are in the way when vent system is attached. If this is the case you may want to adjust the fireplace location.
2. Locate where vent pipe will pass through any ceilings and will penetrate the outside wall. Since vent pipe sections "overlap" we suggest pre-assembling and measuring the total vent pipe run so you can more accurately locate the point where the vent pipe will penetrate the outside wall (See Exterior Vent Locations and Restrictions section). Be sure all vent components are properly twist locked and leak-proof. Be sure 1000° sealant is used in the inner pipe joints of all pipe sections manufactured by Simpson DuraVent.
3. Cut and frame a 10-3/4" wide x 10-3/4" high opening in the outside wall openings and 10" x 10" opening in ceiling openings. The outside wall hole must be positioned so the vent system will run level or have a ¼" on rise AND be perpendicular to the wall. The height of the opening must be located to meet all building codes and not allow the termination to be easily blocked or obstructed. A ceiling fire stop spacer is required at any floor (ceiling) opening.
4. Connect vent pipe to the fireplace adapter on top of fireplace vent outlet.
5. The horizontal pipe must end flush with the exterior wall of the home. Horizontal pipe will require a proper support every 3 ft. of vent pipe. THERE MUST BE A MINIMUM OF 1" CLEARANCE TO COMBUSTIBLES FROM ALL VENT PIECES ON THE SIDES AND BOTTOM AND 2" ABOVE HORIZONTAL RUNS).

**NOTE:** DO NOT SEPARATE TELESOPING SECTIONS. THEY MUST BE USED AS COMPLETE ASSEMBLIES.

6. **A wall thimble must always be used when penetrating combustible wall materials.**

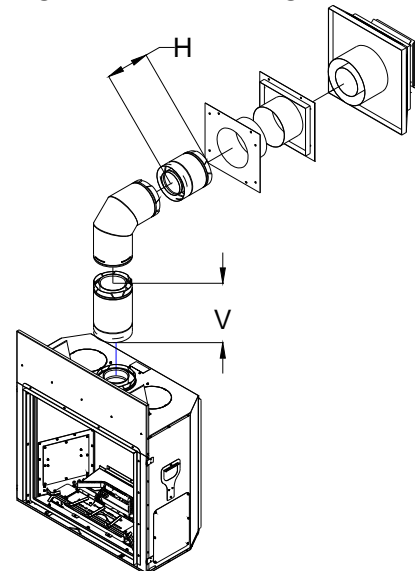
**NOTE:** Combustible wall thickness must be 4" to 8" maximum.

7. From the exterior of the home, slide the horizontal vent cap over the end of the horizontal pipe and tightly secure the vent cap to the wall with screws. Seal with high quality caulking.

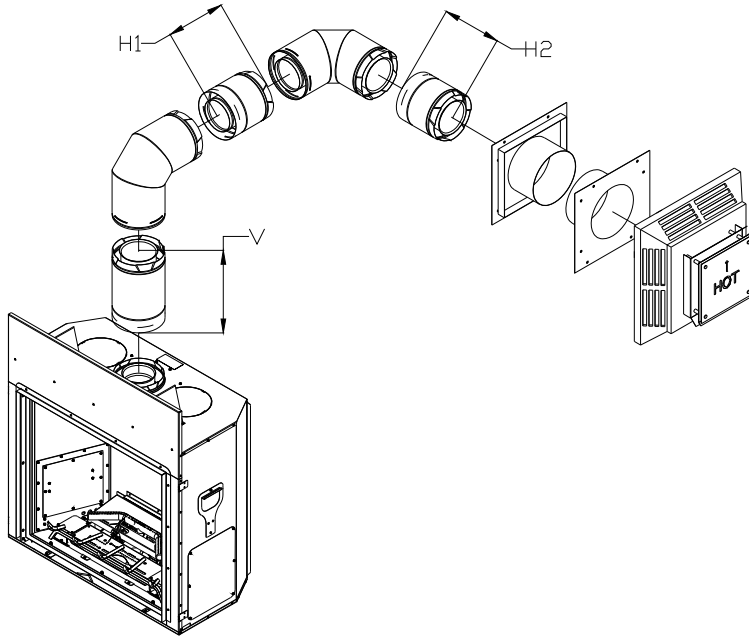
**NOTE:** Venting terminal (Vent Cap) should not be recessed into wall or siding.

| V   | H      |
|---|--------|
| 0"  | 18"    |
| 12"   | 6'     |
| 2'  | 11'    |
| 3'  | 15'-6" |
| 4'- 30'   | 20'    |
| For V greater than 30', see Master Flue Venting Requirements Chart. |        |

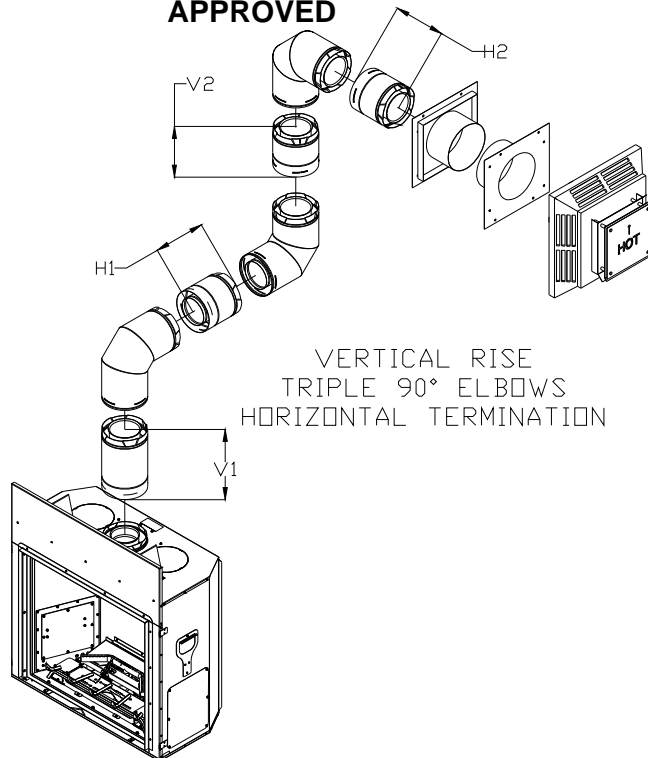
### ONE(1) 90° ELBOW TOP VENT HORIZONTAL TERMINATION



VERTICAL RISE  
DUAL 90° ELBOWS  
HORIZONTAL TERMINATION



**APPROVED**



VERTICAL RISE  
TRIPLE 90° ELBOWS  
HORIZONTAL TERMINATION

## VERTICAL THROUGH-THE ROOF VENTING

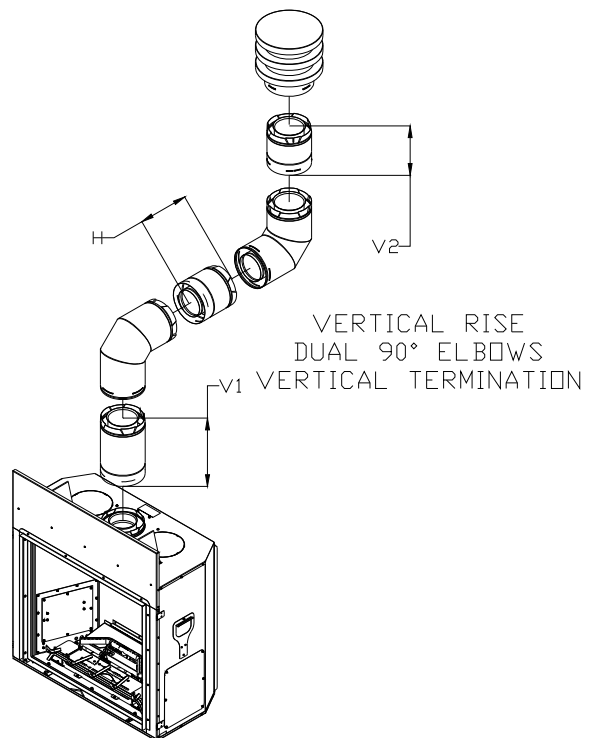
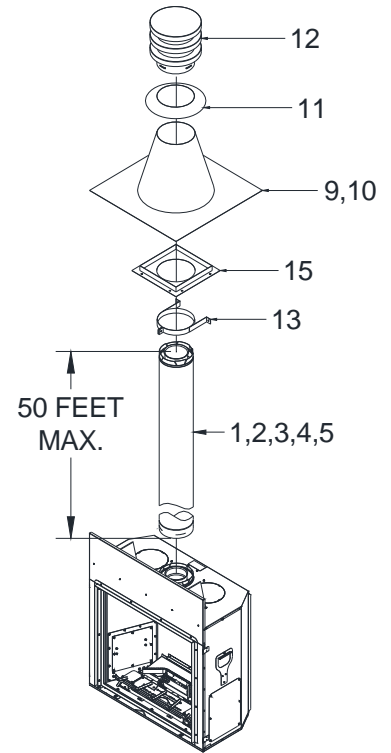
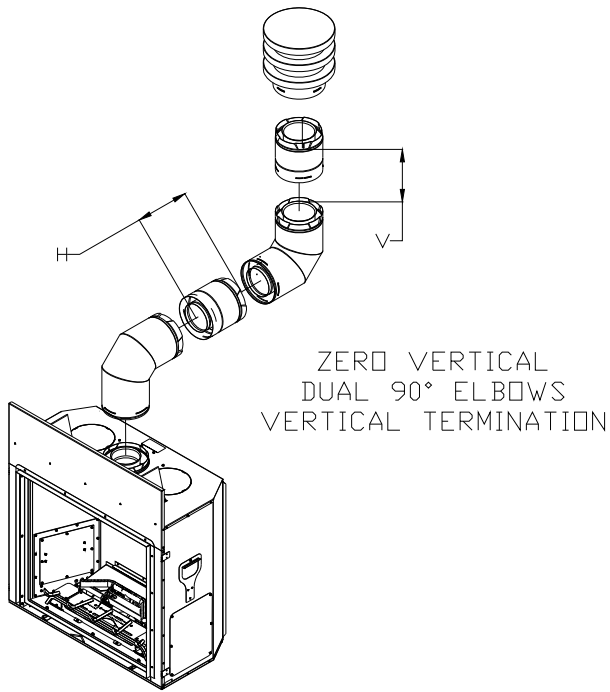
The maximum vertical run of vent pipe is 50 ft. from the top of the fireplace. The fireplace will support a run of a maximum of 50 ft. Maintain 1" air space clearances on all sides of vents (2" above horizontal runs).

If an offset is required directly on top of the fireplace, two 45° elbows may be connected directly to the top of this fireplace to create a horizontal offset then to run upwards vertically. Doing so will continue to allow the use of the 50 feet maximum vertical run.

|  |
|--|
| <b>The FV46 Fireplace must be installed by a qualified Mendota approved serviceperson.</b> |
|--|

1. Place the fireplace in its desired location. Drop a plum bob from the ceiling to the position of the fireplace flue exit. Mark the location where the vent will penetrate the ceiling. Drill a small hole at this point. Next, drop a plum bob from the roof to the hole previously drilled in the ceiling. Mark and drill the spot where the vent will penetrate the roof. Determine if ceiling joists, roof rafters or other framing will obstruct the venting system. You may wish to relocate the fireplace or to offset, to avoid cutting load bearing members.
2. Cut and frame a 10" x 10" opening in the ceiling centered on the hole drilled in Step No. 1.
3. To determine the length of the vent pipe required, measure the distance from the fireplace flue outlet to the ceiling, the ceiling thickness and the vertical rise in the attic or second story and allow sufficient vent height above roofline. For two story installations, fire stops are required at each floor level. If an offset is needed in the attic, additional pipe and elbows will be required.
4. Assemble the desired lengths of vent pipe and elbows to reach from the fireplace flue outlet. Ensure that all vent pipe and elbow connections are in their fully twist-lock position and that inner pipe joints (DuraVent only) are sealed and are leak-proof. Maintain 1" airspace clearances to combustibles (2" above horizontal runs). Cut a 10" x 10" opening in the roof, centered in the small drilled hole placed in the roof in No. 1. The opening should be a sufficient size to meet all clearance requirements. Continue to assemble lengths of pipe and elbows necessary to reach up through the roofline. Galvanized pipe and elbows may be utilized in the attic, as well as above the roofline. The galvanized finish is desirable above the roofline due to its higher corrosive resistance.
  - a) If an offset is necessary, it is important to support the vent pipe every 3 ft. to avoid excessive stress on the elbows and possible separation. Wall straps are available for this purpose.
6. Slip the flashing over the pipe sections protruding through the roof. Secure the base of the flashing to the roof with roofing nails and seal flashing to roof. Ensure the roofing material overlaps the top edge of the flashing. Verify you have at least the minimum clearance to combustibles at the roofline.
7. Continue to add pipe sections until the pipe and the vent cap meet the minimum building code requirements, as outlined in No. 8 on the following page.
  - a) For multi-story vertical installation, a ceiling fire stop is required at the second floor and any subsequent floors. The opening should be framed to 10" x 10" inside dimensions as described in step No. 5.
8. Any occupied areas above the first floor, including closets and storage spaces, which the vertical vent passes through, must be enclosed. The enclosure may be framed and sheet rocked with standard construction materials, however, be sure to maintain minimum allowable clearances between the outside of the vent pipe and the combustible surfaces of the enclosure.
9. Height "H" from roof surface to the top of vent cap can be determined as follows:
10. Complete installation with storm collar and vent cap.

| ROOF PITCH     | "H" DIMENSION |        |
|----------------|---------------|--------|
|                | FEET          | METERS |
| FLAT to 6/12   | 1             | .3     |
| 7/12 to 9/12   | 2             | .6     |
| 10/12 to 12/12 | 4             | 1.2    |
| 13/12 to 16/12 | 6             | 1.8    |
| 17/12 to 21/12 | 8             | 2.4    |





## VERTICAL THROUGH-THE-ROOF VENTING USING FOUR 90° ELBOWS

In extreme situations, Four 90° elbows may be required to reach a proper exit point for the vent system. Mendota has spent considerable time and effort in the design of this fireplace and its venting system. Through this effort, Mendota has been able to certify the use of Four 90° elbows.

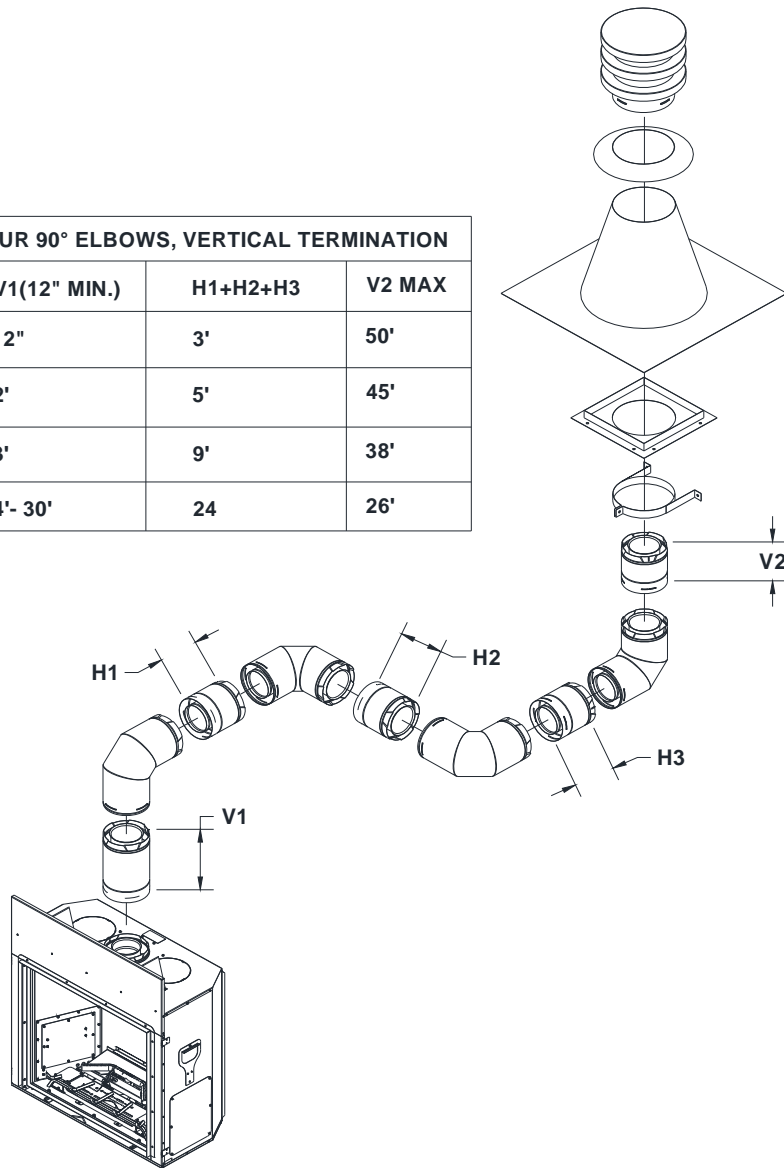
### The use of Four 90° elbows must meet some minimum prerequisites.

Prerequisite #1: The vent system must terminate vertically using a vertical vent cap.

Prerequisite #2: There must be a minimum 12 inches of vertical starter section connected directly to the top of this fireplace.

Prerequisite #3: For vertical starter sections less than 4 feet tall, you must reduce 6 feet off the maximum horizontal run allowed per Master Flue Venting Requirements Chart, Zone A.

| FOUR 90° ELBOWS, VERTICAL TERMINATION |          |        |
|---------------------------------------|----------|--------|
| V1 (12" MIN.)                         | H1+H2+H3 | V2 MAX |
| 12"                                   | 3'       | 50'    |
| 2'                                    | 5'       | 45'    |
| 3'                                    | 9'       | 38'    |
| 4'- 30'                               | 24       | 26'    |



## FV46 DOOR OPERATION

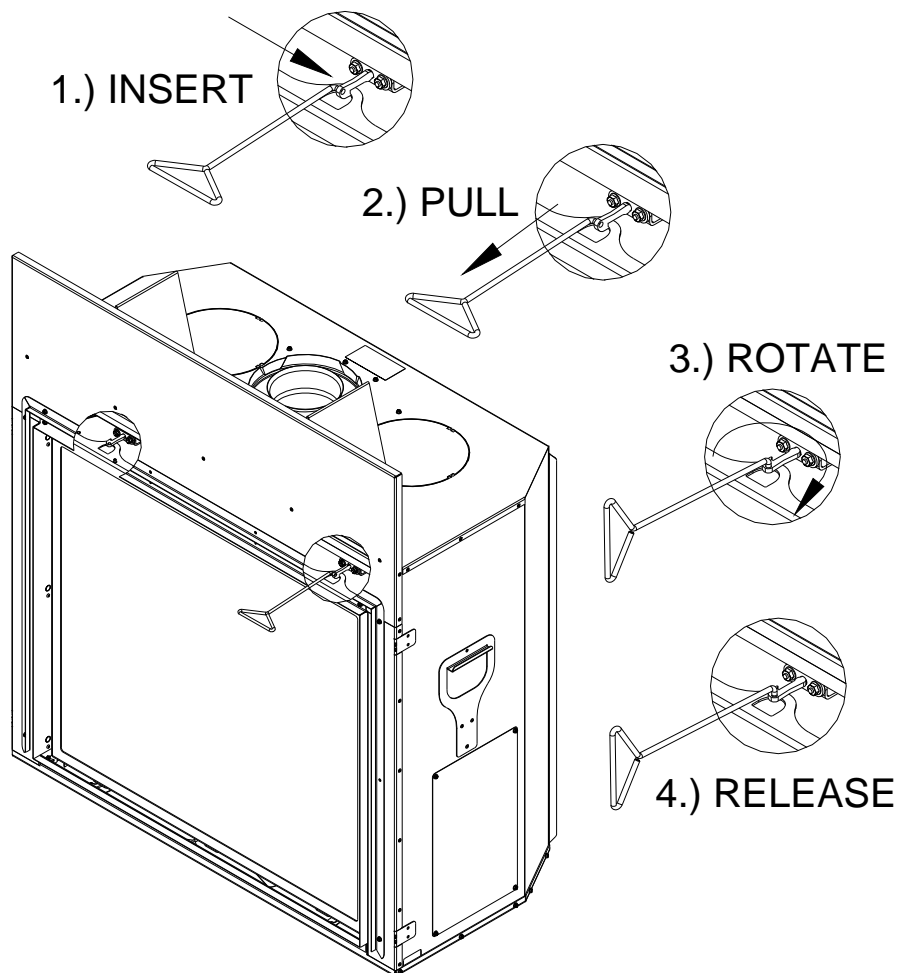
### TO REMOVE DOOR

1. Use the glass latch tool to disconnect the spring latches from the glass frame. Insert tool into hole in latch, pull towards you and Rotate 90 degrees to disengage top latches. Remove tool. **There are two spring latches on top of this gas fireplace.**
2. With both hands, rotate top edge of glass frame away from unit 12 inches.
3. Lift glass frame up 1 inch, at an angle, and move away from unit.
4. Door is now free from unit.

### TO REPLACE DOOR

1. Line up the three bottom tabs in glass frame bottom with slots in glass clips on firebox bottom. Insert tabs into slots and center tabs in slots, left to right.
2. Center Glass Frame over Firebox; left to right.
3. After door has been placed into slots, rotate door towards firebox until gasket seal is touching the firebox frame.
4. Use the tool provided to connect the spring latches to the glass frame. Insert tool into hole in spring latch, pull latch towards you, rotate latch so the hook is facing downward then release latch to hook to door frame.
5. Door is now connected and sealed to unit.

The following Check-Off Lists must be completed prior to final operation of the Fireplace.



## INSTALLATION CHECK OFF LIST

- Co-axial vent rigid pipe, wall vent cap or roof vent cap must be installed by a Mendota approved person in accordance with instructions. All joints must be secured, "twist-locked" and leak-proof. 1000°F sealant must be used on the inner pipe joints of all DuraVent pipe sections.
- Horizontal or vertical vent cap must be installed "**right-side-up**" and tightly sealed to structure per instructions. Vent Caps must be Mendota approved.
- Proper exterior and interior clearances for vent systems and locations for wall vent cap/roof vent cap must be maintained.
- Carefully check for correct gas pressure, proper size gas lines and for gas leaks.
- 115 V electrical service and gas supply must be installed in accordance with instructions and local and national codes.

## LIGHTING CHECK OFF LIST

- All items on "Installation Check Off List" (see above) must be completed.
- Check for gas leaks and gas pressures prior to installing facing materials.
- Install fresh batteries in remote transmitter. Follow "Initializing the System for the first time" instructions to synchronize the remote control and the receiver.
- Check air shutter opening - 0" to 1/8" Nat. gas or 1/4" to 1/2" LP gas.
- Carefully follow all Lighting and Log Installation Instructions.
- Make certain that burners light immediately and flame runs promptly around "curve" in rear burner and lights entire burner. DO NOT proceed with operation unless burner cycles "on/off" without delays.
- Make certain that the flame is "stable" and does not "lift" off burner. If flame lifts off burner, turn unit off and check that all vent pipes are "twist locked" and leak proof, the vent cap is "right side up" and that 1000° Sealant has been used on the inner pipe joints of all DuraVent pipe sections. DO NOT proceed with operation if flame is "lifting off" burner.  
**Note: Do not separate telescoping sections. They must be used as complete assemblies.**
- Make certain glass door is in proper closed position and "centered" in firebox opening.

## FV46 LOG SET INSTALLATION INSTRUCTIONS

FOLLOW EACH STEP DEPICTED IN THE DIAGRAMS, BELOW, TO INSTALL THE LOG SET.

**CAUTION:** LOGS ARE FRAGILE, HANDLE LOG PIECES WITH CARE.

Carefully unpack 14-piece log set and bags of coals & embers. NOTE: Logs are very fragile, handle with care. Coals must not block pilot or burner flame! Placement of coals has a big effect on front burner flame appearance and "glow" of coals. More coals = less yellow flame and more glow. Fewer coals = more yellow flame and less "glow".

Heat output can be reduced by lowering flame height using the remote transmitter. Blowers can also be turned down to reduce heat output.

NEVER "over fire" by increasing input rate BTUH above Serial Number Plate specifications.

NEVER turn down pilot flame less than 1 inch long.

### FV46 LOG SET PARTS IDENTIFICATION DIAGRAM



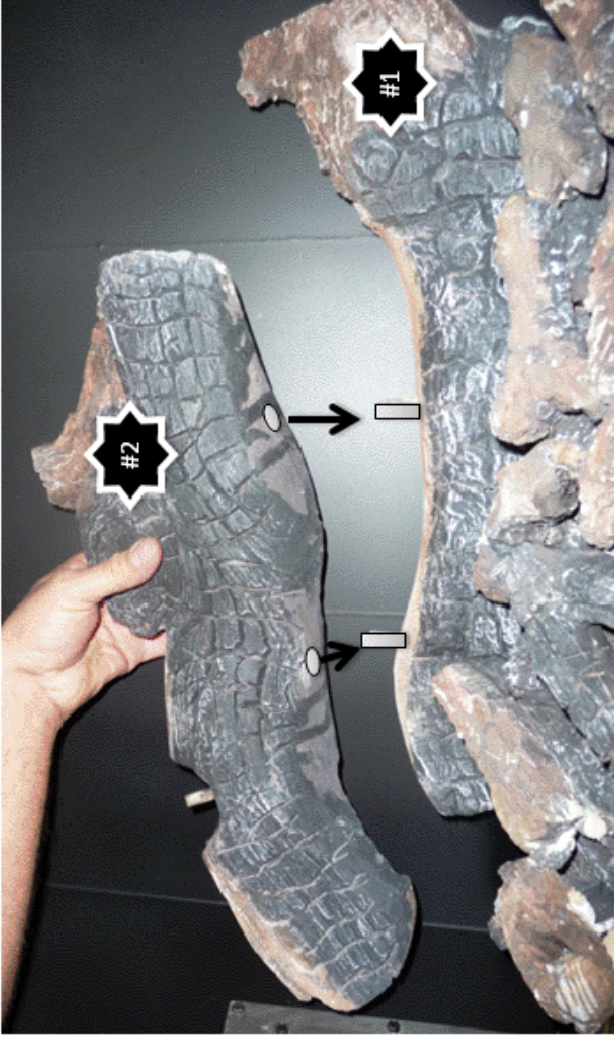


1. The EMBER BED is designed to sit between rear and front burners. The front edge of the ember bed has a shape that conforms to the front burner shape. Align ember bed with front burner curvature properly. On right end, a cutout exists for pilot light assembly accommodation.

2. LOG #1 sits behind rear burner tube. LOG #1 has a front edge that conforms to the shape of the rear burner tube's curvatures. Place LOG #1 behind burner tube. Allow for 1/8" gap between burner tube surface and LOG #1 front edge for air flow.



3. LOG #2 has two holes in its bottom surface which are designed to line up with two pins on the top surface of LOG #1. Align holes with pins and sit LOG #2 on top of LOG #1



4. LOG #3 has a rectangle shape cut-out in its bottom surface which is designed to sit over the two burner tube inlets. Set this log over the burner tubes as shown, below.



LOG #3 HAS A CUT-OUT IN BOTTOM DESIGNED TO SIT OVER THE TWO BURNER TUBE'S INLET SIDE.





5. LOG #4 has a rectangle notch cutout from its under-side. This cutout is designed to sit over the right crimped ends of the two burner tubes and also over the pilot light body. Place this log as shown, below over pilot body and burner tube ends. Pull to the left as far as possible.



6. LOG #5 has a slot in its bottom towards the thick barked end. This slot is designed to align with a pin on top of LOG #4. Align slot and pin, seat LOG #5 on top of LOG #4 then rotate its left end unit is positioned as shown, below. Left end sits on EMBERBED top twigs.

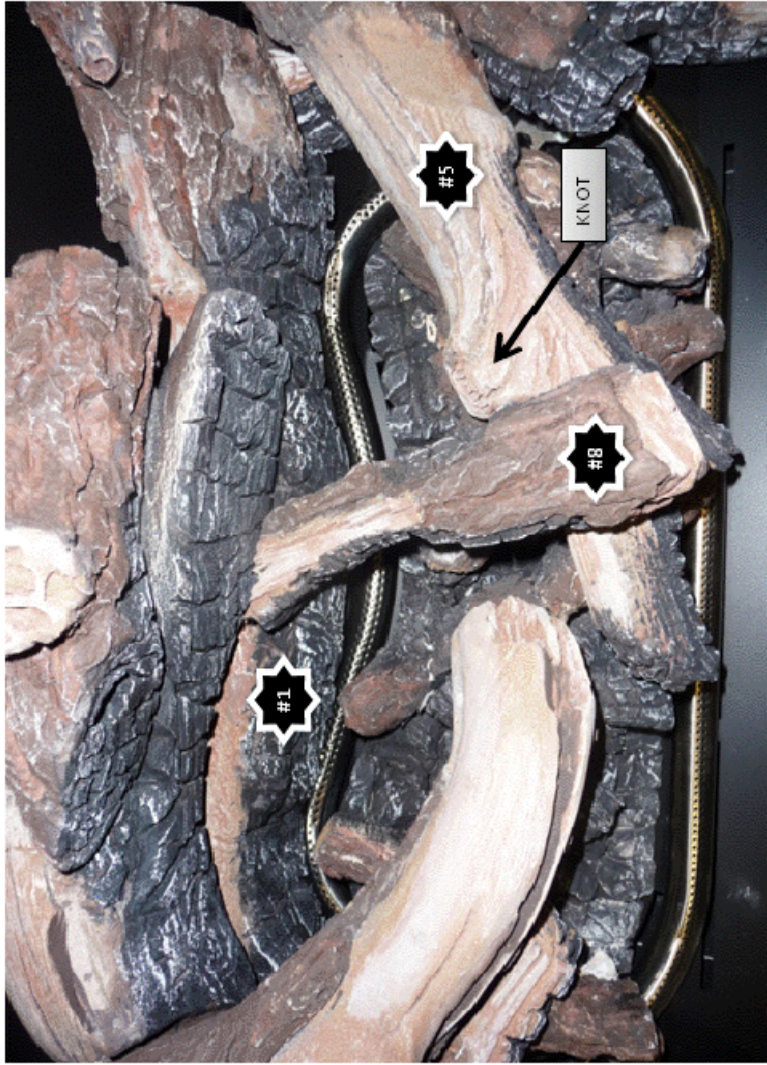


7. LOG #6 is designed to sit on top of LOG #3 and part of the EMBER BED on the left side. Place LOG #6 a shown on rear curved shoulder on LOG #3 and extend on to the EMBER BED at an angle. This log also acts as the support for LOG #7 in the next step.



8. Under the barked end of the LOG #7, you will find a hole that is designed to align with a pin on the left end of LOG #2. Align this hole & pin pair and seat LOG #7 on LOG #2. The front end of LOG #7 sits and rests behind LOG #6, as shown below.





9. Seat LOG #8 on top of LOG #5 and a shallow visible shoulder in the middle of LOG #1 across the rear burner tube's center [over the area in the burner where a single row of ports exist]. Front right edge of LOG #8 should touch the KNOT on Log #5.



10. LOG #9 sits as shown in the pictures, below. Its wide end sits on top of the right cove between LOG #1 and LOG #2's right end. The front thin end sits on top of LOG #5 and curls towards the middle and touches LOG#8. Some flexibility in the position of this log is allowed.



11. LOG #10's barked-end sits on flat surface of burner Airbox in front of front burner on right side on top of the curve start point of the front burner. A flat shoulder is carved into top surface of Log #5 for split bare end of LOG #10 to rest on. Position LOG #10 as shown in these diagrams.



12. LOGS #11, 12 & 13 rest on flat surface of Burner Airbox in front of front burner tube. Position these three logs as shown, below.





### **ADDING COALS AND INSWOOL**

Once all log pieces are properly placed inside the firebox, add coals in front of the front burner. Build up the coals from floor level up to the top edge of the burner surface but do not cover the burner ports with coals. Spread coals on the floor between the front grate bar and the front burner tube to simulate a spent coal bed.

To add inswool, tightly pinch a large ball of inswool in one hand. Using a stiff nylon bristle brush in the other hand, swipe the brush bristles across the top of the inswool pinched ball to break off inswool fibers. Brush inswool liberally to cover all of the front burner and main the ember bed. Also, brush inswool liberally on top of the rear burner.

See image, below:



## TROUBLE SHOOTING THE FV46 FIREPLACE & MAINTENANCE INFORMATION

| SYMPTOM  | PROBABLE CAUSES  | CORRECTIVE ACTION   |
|--|--|---|
| 1. Thin black coating (soot) forms on viewing glass. | A. Incorrect gas pressure<br>B. Not enough combustion air  | Have gas supplier check for correct gas inlet pressure (7" W.C. Nat. Gas; 11" W.C. LP Gas).<br>If sooting continues, open air shutter on burner (see "Gas Flame Adjustment" below).<br>If sooting still continues, shut off unit and call Mendota service person.<br><b>NOTE:</b> To clean glass - remove glass and wipe glass with cloth or paper towel. |
| 2. Humming or whistling coming from Fireplace.       | A. Normal operating noise.                                 | Some noise is normal. It is caused by the gas supply flowing through the gas orifice. It is expected from any gas fireplace. Turning the Hi/Lo Knob on the control can reduce the noise. Turning down the flame will reduce the heat output of the unit.  |
| 3. A change in flame appearance or burner operation. | A. A change in gas pressure.<br>B. Vent system restricted. | Have your gas supplier check for correct gas 7" W.C. Nat. Gas; 11" W.C. LP Gas). If flame still needs adjustment see "Flame Adjustment" below.<br>Clean out carbon, spider webs, lint, etc. from shutter area.<br>Logs and burner.<br>Check Vent Cap's AIR INTAKE and Exhaust OUTLET ports.   |

### **OVER FIRING OF BURNER**

NEVER "over fire" units by adjusting gas pressure or drilling out the orifice to increase BTUH above nameplate specifications. Over firing can cause permanent damage to firebox and deterioration of parts and void warranty.

### **MAINTAINING CORRECT PILOT-FLAME, PILOT OUTAGE & RELIGHTING**

The pilot flame must be checked during initial installation and annually by a qualified Mendota Technician. This appliance utilizes Flame Rectification Technology. If the pilot flame is turned down too low, the flame sensor may not detect the pilot flame and the pilot light may not stay lit. Do not turn down the pilot light flame. Use the IPI mode instead during summer months.

### **CLEANING VIEWING GLASS**

The viewing glass should be cleaned periodically. Exterior glass surface may be cleaned with cleaner as desired. To clean interior surface of glass - use soap and water. **CAUTION:** Do not use oven cleaner to clean glass. Clean the glass only when it has cooled to room temperature.

**NOTE:** Additives that are put in gas (both natural and propane) to make it smell can be harmful to glass and can leave a white film deposit on the glass. This deposit can be removed with cleaners such as KEL KEM "Polish Plus" (part # 65-06-00455) or comparable product (contact your dealer).

In some cases (especially when burning propane) additives can cause "crazing" or etching of the glass. This is not a common occurrence. However, any "crazing" or etching of the glass is not covered under the warranty. The solution may be to change propane suppliers.

### **SOOTING**

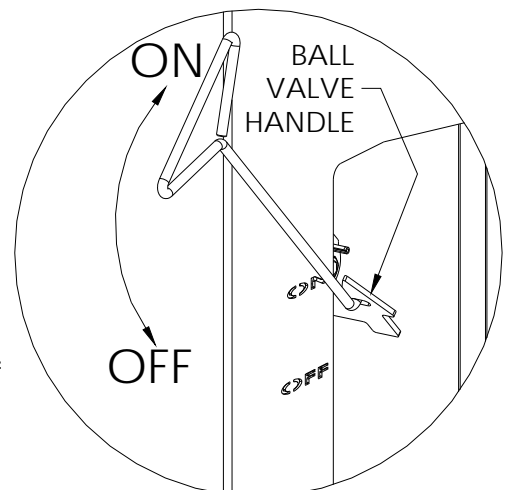
Sooting is caused by improper installation or air shutter operation. However, some small areas of soot deposits on media surfaces are deemed acceptable. If you observe signs of sooting on the door glass (usually a thin black film on the Fireplace viewing glass or on the outside of the home around the vent cap), the unit must be immediately turned off and the local Mendota dealer promptly informed. Mendota dealers will correct "sooting" problems, but Mendota and their dealers are not responsible for damage caused by excessive sooting that has not been immediately brought to their attention.

### **OPERATION DURING POWER FAILURE**

This fireplace is designed to operate during power outages. Blowers and the Accent Light will not function during power outages. However, all burners will continue to function normally. Heat output will be reduced slightly without the blower functioning (approximately 5% less).

### **GAS SHUTOFF PROCEDURES**

This gas fireplace is equipped with a manual ball shutoff valve that is located on the left side and within the left convection air cavity. The manual ball shutoff valve is designed to be manipulated using the glass latch tool. Insert bent end of tool into the hole in the ball valve's metal handle (shaped like an arrow head) and rotate ball valve downward to OFF or upward to ON.



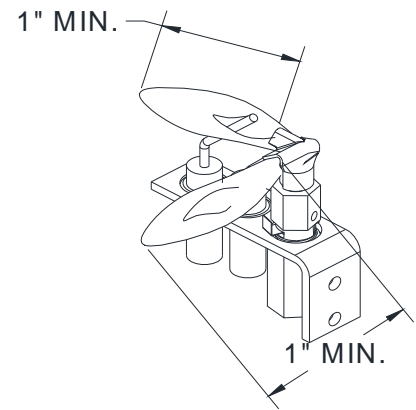
## MAINTENANCE

1. **ANNUAL MAINTENANCE OF MENDOTA UNITS IS REQUIRED.** The following procedures must be performed each year by a Mendota approved service person. NOTE: Any adjustments to burner, pilot or burner media must be done by a qualified Mendota service person.

**Caution:** Label all wires prior to disconnection when servicing controls. Wiring errors can cause improper and dangerous operation” and “Verify proper operation after servicing.”

**Attention:** Au moment de l’entretien des commandes, étiquetez tous les fils avant le débranchement. Des erreurs de câblage peuvent entraîner un fonctionnement inadéquat et dangereux.” “S’assurer que l’appareil fonctionne adéquatement une fois l’entretien terminé.

- A. Clean all lint and dust build-up around the control. Inspect the condition of any wiring under the burner for melting or damage.
- B. Remove media and clean away any foreign matter (lint, Carbon, etc.) on the burner and pilot light body and base. Be sure the burner ports are "open". Clean the pilot for any Carbon deposits. Be sure logs are re-installed per instructions in this manual.
- C. Check condition of glass door gasket, gasket must seal tightly over firebox, replace if necessary.
- D. Periodically check to verify that the vent system and vent cap are open and free of blockage.
- E. Before re-installing glass, have qualified service person check the operation of the pilot and cycle the burner per LIGHTING INSTRUCTIONS. Be sure all items in LIGHTING and INSTALLATION "check off" lists are completed.
  1. The viewing glass should be cleaned periodically. Exterior glass surface may be cleaned with cleaner as desired. To clean Interior glass surface, use Kel Kem “polish plus” (part # 65-06-00455) or comparable product. Do not use oven cleaner or abrasive cleaners to clean glass. Do not clean when glass is hot.
  2. Periodic visual check of pilot flames is required. Pilot Flame must overlap Flame Sensor and burner ignition ports at all times.
  3. Periodic visual check of main burner’s rear and front flames is required.



### BURNER FLAMES GENERAL HEIGHTS REFERENCE DIAGRAM



## FLAME APPEARANCE ADJUSTMENTS

### AIR SHUTTER ADJUSTMENTS

Be sure burner and logs are properly installed (see FV-46 Log Set Installation Section). After burner has been properly installed and operated for 20 minutes, small additional adjustments to the air shutter may be necessary for final flame appearance. These small shutter adjustments can be made by following these procedures:

**NOTE: Start with the rear burner air shutter set at 1/8" open for NG and 1/4" open for LPG. Both the Front and Rear burner shutters can be manipulated with the fireplace operating.** Opening the shutter will yield shorter and blue(er) flames and closing the shutter will yield taller and yellow(er) flames.

The front burner air shutter adjustment lever is located below the Glass Door Frame on the left side. Slide the lever to the "left" to OPEN and to the "right" to CLOSE the front burner shutter.

The rear burner air shutter adjustment lever is located below the Glass Door Frame on the right side. Slide this lever to the "right" to CLOSE and to the "left" to OPEN the rear burner shutter.

1. Install logs and glass frame, and burn unit for 20 minutes
2. If flame is too "blue" CLOSE Air Shutters until flames turn yellow.
3. If flames are too "orange" or are causing sooting, open Air Shutters until flames begin to turn blue. **NOTE:** If sooting does not stop, turn off fireplace & call a Mendota Service Person.  
**IMPORTANT:** Try each new shutter setting for approx. 1/2 hour before making additional changes.

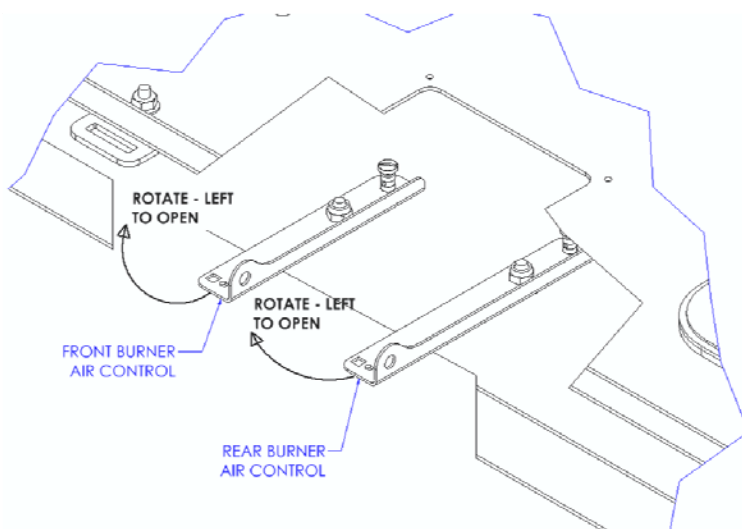
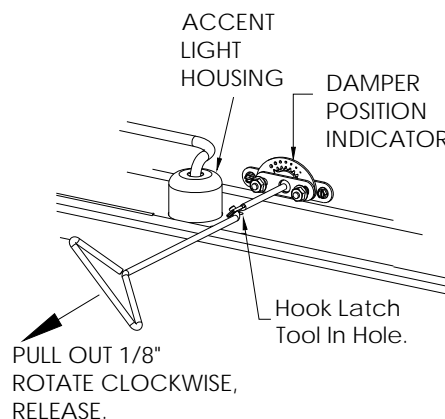
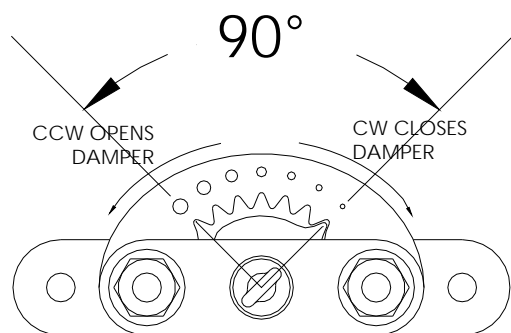
**NOTE:** Changes in front burner flame can be made by re-arranging the coals as well. Densely packed coals will yield more glow and blue flames. Loosely packed coals will yield less glow and yellow flames.

4. For NG applications, start with the rear burner air shutter open 1/8". For high altitude applications, air shutter may need to be open further.
5. For LPG applications, start with the rear burner air shutter open 1/4". For high altitude applications, air shutter may need to be opened further.

### VENT DAMPER ADJUSTMENTS

This fireplace is equipped with a vent damper system that can be adjusted using the glass latch tool. Locate damper adjustment rod above the glass frame in convection chamber at the center. **NOTE:** If this fireplace's vent is terminated vertically, the damper position may be FULL OPEN or PARTIALLY CLOSED. NEVER CLOSE the vent damper completely. Adjust position of damper by judging the flame characteristics after 20 minutes of burn time. If the flames ghost off burners or if sooting occurs [in LPG units], open the vent damper FULLY and work backwards in increments to determine the correct damper position for that particular installation.

Use a flash light to look into the convection air cavity and note the Damper Position Indicator. Hook glass latch tool in the hole at the end of the damper rod, pull outward about 1/8" and turn clockwise to close the vent damper, release. Use a flashlight to inspect the damper position. The base of the damper adjustment rod has a pointer that indicates the position of the damper.



**NATURAL TO LP GAS CONVERSION**  
**Kit # HA-88-00080 for Mendota Model FV46**

This conversion kit shall be installed by a qualified service agency in accordance with the manufacturer's instructions and all applicable codes and requirements of the authority having jurisdiction. If the information in these instructions is not followed exactly, a fire, explosion or production of carbon monoxide may result causing property damage, personal injury or loss of life. The qualified service agency is responsible for the proper installation of this kit. The installation is not proper and complete until the operation of the converted appliance is checked as specified in the owner instructions supplied with the kit.

Cet équipement de conversion sera installé par une agence qualifiée de service conformément aux instructions du fabricant et toutes exigences et codes applicables de l'autorisés avoir la juridiction. Si l'information dans cette Instruction n'est pas suivie exactement, un feu, explosion ou production de protoxyde de carbone peut résulter le dommages causer de propriété, perte ou blessure personnelle de vie. L'agence qualifiée de service est esponsable de l'installation propre de cet équipement. L'installation n'est pas propre et complète jusqu'à l'opération de l'appareil converti est chèque suivant les critères établis dans les instructions de propriétaire provisionnées avec l'équipement.

**Caution:** The electrical supply to the fireplace must be turned off prior to performing the conversion. The gas supply must be shut off prior to disconnecting the electrical power.

**ORIFICE SIZES REQUIREMENT:**

A Natural Gas to LPG conversion kit #HA-88-00080 must be ordered and installed to convert the FV-46 Fireplace to burn LPG.

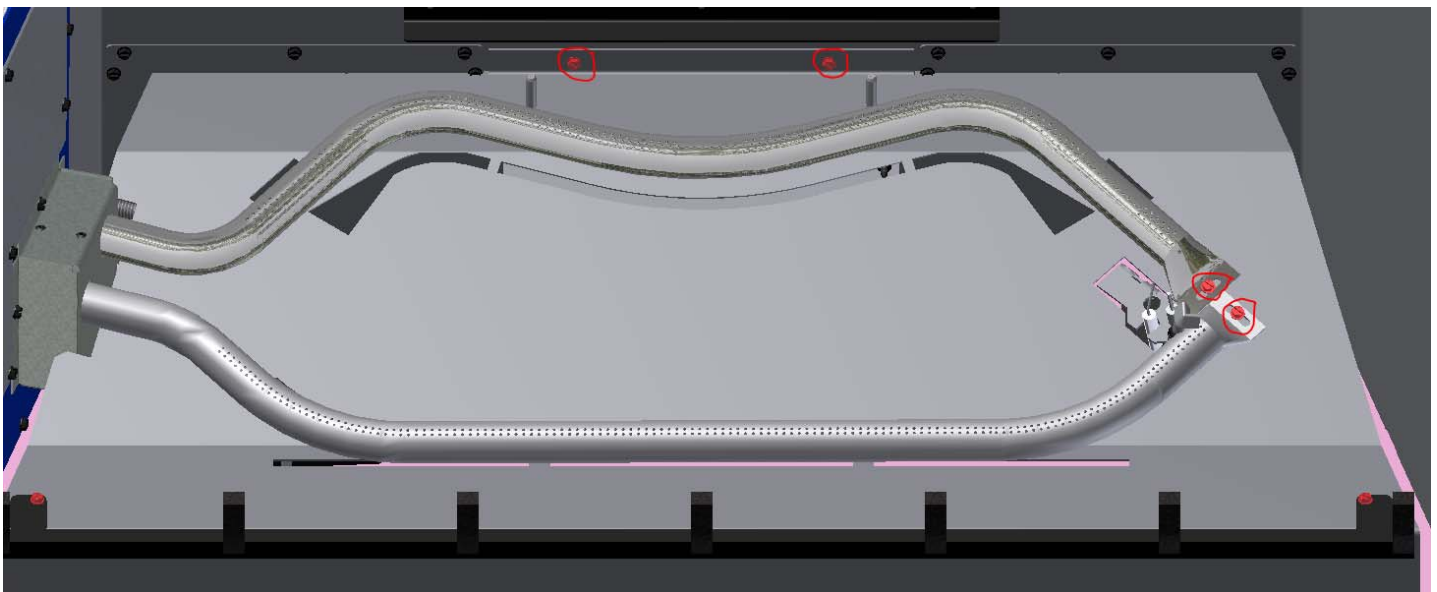
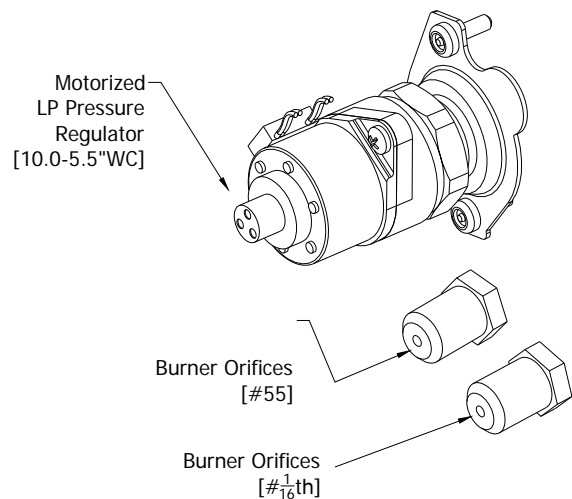
LP Conversion Kit #HA-88-00080 contains the following parts:  
One Motorized LP Pressure Regulator and two Cap Orifices **drill #55 and drill #1/16th**.

**Recommended Procedure To Convert This Fireplace To Burn LPG**

This fireplace arrives from the factory ready to burn Natural Gas. If you intend to burn LPG, it is highly recommended that you convert this fireplace and its Pressure Regulator, Pilot Clip Position and Burner Orifices prior to placing this fireplace in its framed cavity.

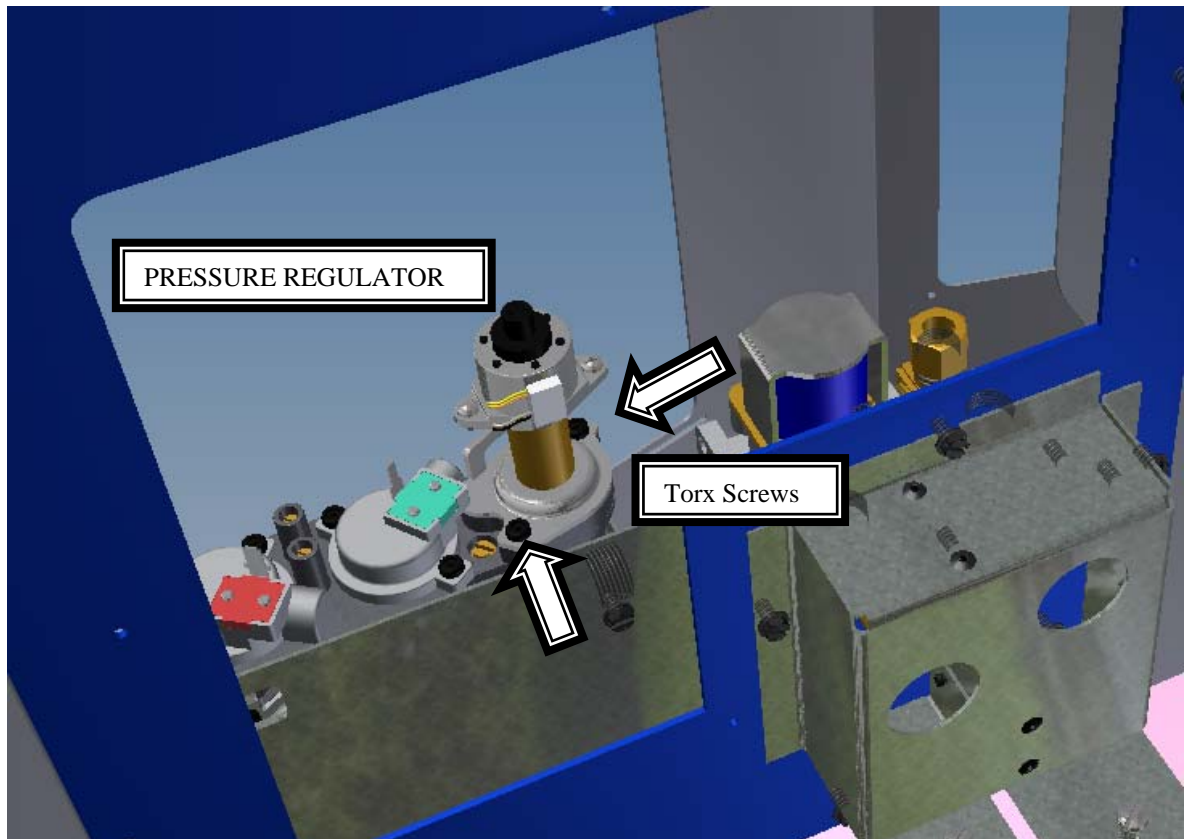
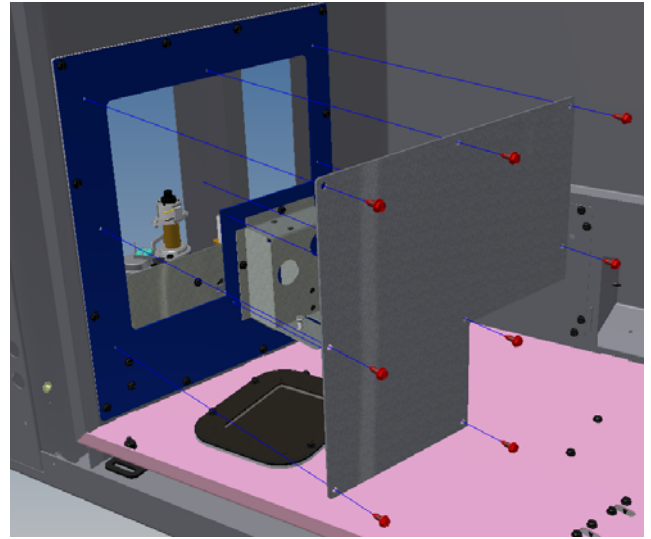
See diagrams, on this page, and follow these instructions to prepare this fireplace for conversion to LPG.

1. Using a 1/4" Hex Driver, remove 4 screws that secure the two burner tubes to the burner Airbox (adjacent to Pilot Light) and the Burner Airbox (on firebox back wall).
2. Slide burner tubes to the right and lift out of firebox.
3. Carefully lift Burner Airbox, with Front Grate attached, out of firebox.

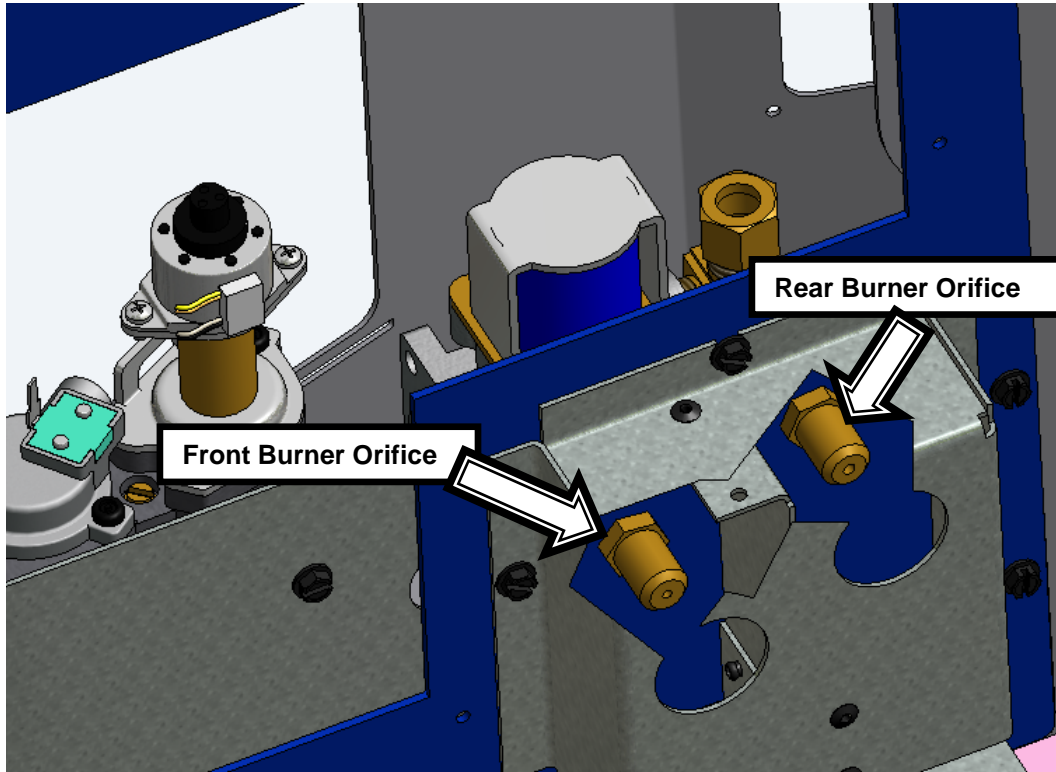


**WARNING:** It is of the utmost importance that the correct burner orifices be installed for both the rear and front burners.

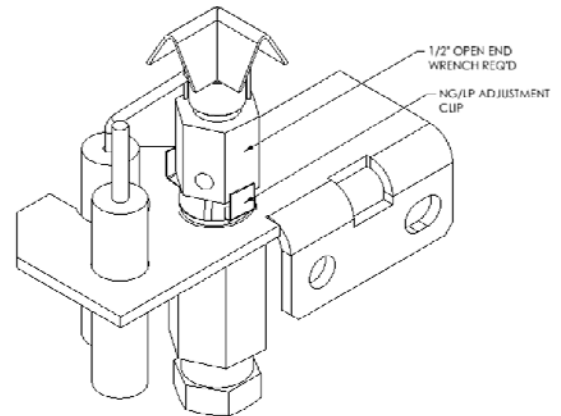
1. Remove the left-side Valve Access Cover plate by removing eight (8) ¼" hex screws.
2. Turn off gas supply at the appliance service valve.
3. See diagrams on this page and identify the Pressure Regulator on the Valve Body.
4. Using a Torx T20 or a slotted screwdriver, remove 2 screws that secure the NG Pressure Regulator to the gas valve body and remove NG Pressure Regulator, see following page.
5. Install the new LP Pressure Regular onto the gas valve body in the same position and orientation as the NG Pressure Regulator you removed, above. The LP Pressure Regulator can only be mounted in one position. Secure the LP Pressure Regulator in place. Tighten down.



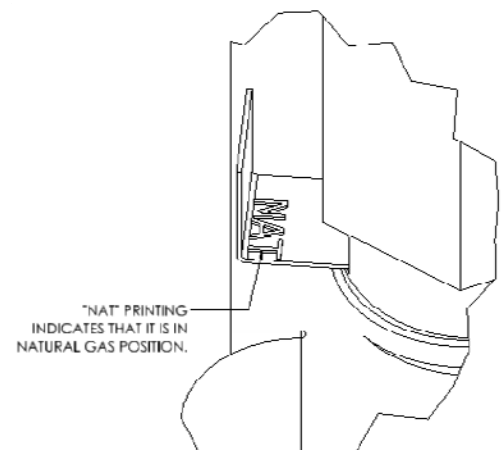
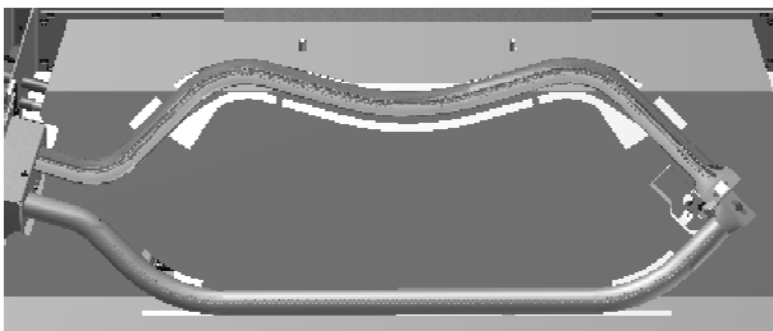
6. Locate and Identify the Rear Burner Orifice Spud and the Front Burner Orifice Spud. Both Front and Rear Orifice Spuds are removed and installed using a ½" deep well socket and ratchet. It is required that you use an additional open end wrench to hold the back-side fitting that is located outside the firebox. This will prevent rotation of the fittings and tubes outside the firebox.



7. Install Rear Burner Orifice #65-14-00116(#1/16th drill) for the Rear Burner. Tighten down securely.
8. Install Front Burner Orifice #65-14-00055 (#55 drill) for the Front Burner. Tighten down securely.
9. Locate Pilot Light on right side of firebox. While holding the pilot base body with large vice grips tightly, loosen Pilot Light's hex shape base using a ½" open end wrench. Rotate counter clock-wise ¼ turn to loosen.
10. Pilot arrives from the factory set for NG. Push NG/LP Adjustment Clip inward all the way to set it for LP. See detail view, below. If you see "NAT" printing on the Adjustment Clip, this indicates that the pilot is set to burn NG. Push Clip in so that "NAT" is not visible.
11. Tighten down Hex shaped base of pilot using a ½" open end wrench.



12. Replace Valve Access Cover, Burner Airbox and secure burners to original location. Make certain burner tube curves are following air slots in burner Airbox in a parallel fashion.



## LP PRESSURE REGULATOR CONVERSION INSTRUCTIONS

**WARNING:** Failure to position the parts in accordance with these diagrams or failure to use only parts specifically approved with this appliance may result in property damage or personal injury." AVERTISSEMENT. Risque de dommages ou de blessures si les pièces ne sont pas installées conformément à ces schémas et ou si des pièces autres que celles spécifiquement approuvées avec cet appareil sont utilisées.

### WARNING!

The installation of this conversion kit must only be undertaken by a qualified and certified gas appliance installer.

#### STEPPER MOTOR PRESSURE REGULATOR CONVERSION KIT INSTALLATION OR REPLACEMENT INSTRUCTIONS.

Verify that the following items are present in the package.

- Pressure regulator assembly (E)
- Two (2) screws (F)
- Identification label (G)
- Installation instructions (this document).

- 1 Shut off the gas supply to the valve and shut down the electric supply.
- 2 See Fig. 1. Using a Torx T20, or slotted screwdriver, remove and discard the two (2) pressure regulator mounting screws (A), pressure regulator tower (B), and the spring and diaphragm assembly (C), (if applicable).
- 3 Ensure the rubber gasket (D), which is prefitted as part of assembly (E), is properly positioned, see Fig. 2, otherwise fit the gasket as shown Fig. 2.
- 4 Install the new STEPPER MOTOR pressure regulator assembly, as shown in Fig. 3 and Fig. 4. Use the supplied screws (F), M4 x 0.7 threaded, length of thread  $L=(16\text{ mm} + 0 - 0.5\text{ mm})$ , steel material, resistance class 8.8 (see Fig. 5).
- 5 Manually thread the two conversion kit mounting screws into the valve body. Use a standard screwdriver or T20 Torx bit and tighten to the screws with a fixing torque of  $25\text{lb-in} \pm 5\%$ .  
IN THE EVENT THAT THE THREADS OF THE VALVE ARE STRIPPED OR DAMAGED, REPLACE THE VALVE.
- 6 Install the enclosed identification label (G) to the valve body where it can be easily seen.
- 7 Make STEPPER MOTOR and valve electrical connections, apply gas to system and relight appliance according to manufacturers instructions.
- 8 With the main burner "ON", test the new pressure regulator assembly for leaks using a soap solution.
- 9 Relight the main burner and verify proper burner ignition and operation.

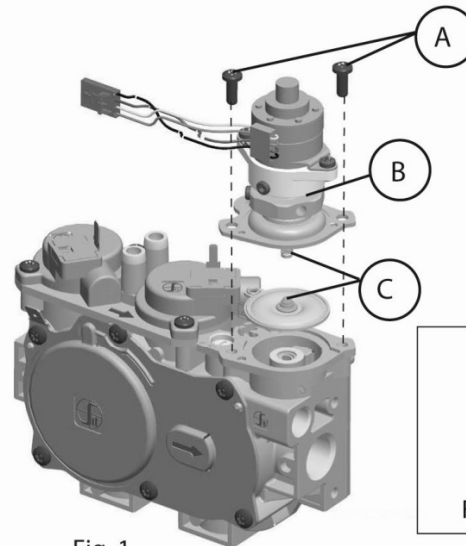


Fig. 1

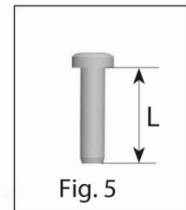


Fig. 5

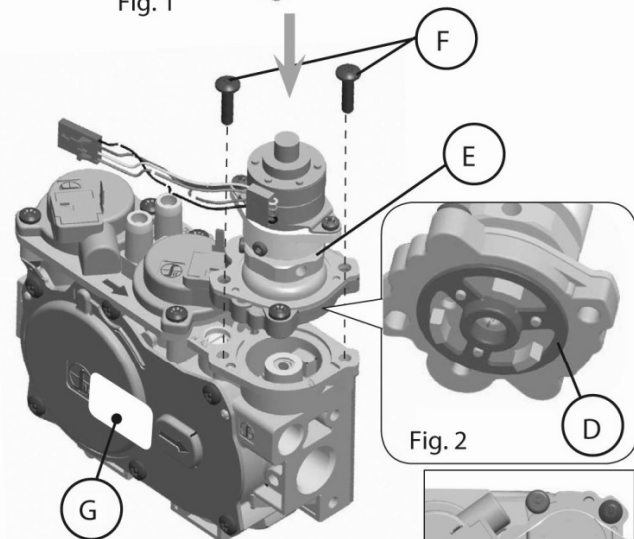


Fig. 3

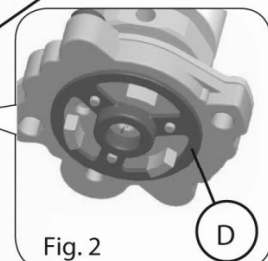


Fig. 2

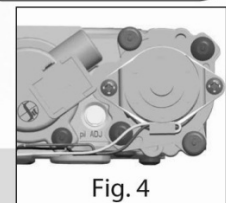


Fig. 4

### WARNING!

Installation should be carried out in a clean environment.

### WARNING!

This modulating conversion kit must ONLY be applied as part of a conversion kit supplied by the APPLIANCE MANUFACTURER for the specific appliance, and type of gas, being converted.

### WARNING!

Correct operation of the system cannot be guaranteed if the conversion kit or valve has been dropped or has sustained a strong impact.

INSTALLER NOTICE. These instructions must be left with appliance.



## LP GAS PRESSURE REQUIREMENTS

Inlet and manifold gas pressure checking taps are located on gas valve. These ports are only accessible from the outer left side of the fireplace. A qualified installer shall take pressure measurements at these ports to verify and set the correct gas pressures during the LP Kit installation and before facia materials are installed over the front of this fireplace. Manifold pressure must be taken at the "MANIFOLD PRESSURE" tap and inlet pressure at the "INLET PRESSURE" tap **with the burner operating** by a qualified installer.

|          | DESIRED INLET PRESSURE   | MINIMUM INLET PRESSURE | MAXIMUM INLET PRESSURE   | MANIFOLD OUTLET PRESSURE | AIR SHUTTER POSITION     |
|----------|--------------------------|------------------------|--------------------------|--------------------------|--------------------------|
| L.P. GAS | 12.0" W.C.<br>(2.99 kPa) | 12" W.C.<br>(2.99 kPa) | 14.0" W.C.<br>(3.49 kPa) | 10.0" W.C.<br>(2.5 kPa)  | 1/4" OPEN MIN.<br>(5 mm) |

**REGULATE THE FLAME HEIGHT TO "HIGH" POSITION. OUTLET GAS PRESSURES MAY VARY PLUS OR MINUS 5%.**

### LPG PROPER INPUT RATES:

With the proper orifices installed, as specified above, this fireplace utilizing LP Gas will have a maximum input rate of 45,500 Btu/Hr.

### LEAK TESTING REQUIREMENTS

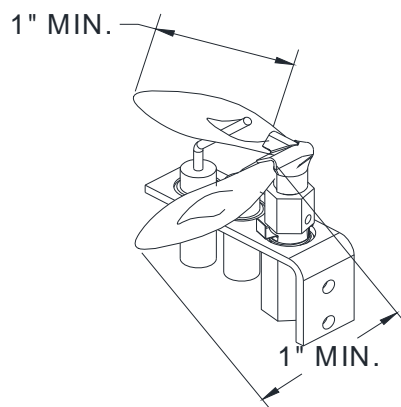
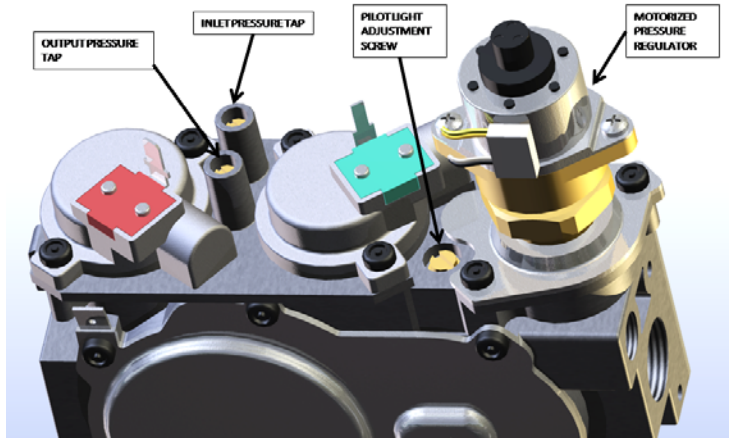
Prior to completing the conversion process, check for gas leaks with soap and water solution at all plumbing joints prior to placing this appliance into operation. It is recommended that all gas-plumbing joints, factory installed and field installed are checked for leaks.

### PILOT FLAME AND MAIN BURNER RELATIONSHIP VERIFICATION

Prior to completing the conversion process, the qualified service technician must, light the pilot light and verify the relationship between the pilot light flames and the main burners. The pilot light flames directed towards the propagation ports on the rear and front burner must overlap the propagation ports on the burners. The pilot light flames must be a minimum of 3/4" long and must overlap the propagation ports on both the rear and front burners as shown in the diagram, below. Verify that the burner tubes ignite quickly and the burner flames propagate smoothly along the entire length of the burners.

### PILOT FLAME LENGTH ADJUSTMENT

If the pilot light flame length is too short and the system does not maintain a standing pilot, a qualified installer may increase the length of the pilot light flames to meet the two requirements: Minimum pilot light length to maintain a standing pilot light and the pilot light flames must be long enough to overlap burner flame propagation ports.



## **CHECKING FOR NORMAL BURNER (S) IGNITION CHARACTERISTICS**

Once the conversion to LPG and all the above steps have been completed, install Burner Media and light the main burner.

On the Remote Transmitter, push On/Off button to ON . Change Thermostat Mode to "MANUAL". The pilot system will begin to spark and then the Main burner should light and flame should not "lift" off burner. If there is any delay in ignition or if flame is "lifting off" burner, turn off burner and carefully check for proper installation of burner media, vent system and proper pilot flame impingement on burner. Burner Media must not block pilot flame. Vent system must be leak proof.

### **WARNING**

**DO NOT PROCEED WITH OPERATION OF THIS FIREPLACE  
UNLESS BURNER "CYCLES" ON/OFF WITHOUT DELAYS!**

## **ATTACHING LPG CONVERSION LABELS AND HIGH ALTITUDE DERATION LABEL**

Two printed informational labels are included with the LPG Conversion Kit. Attach these two labels to the back surface of the Serial Number Plate that is located in the convection air cavity below the firebox. If you are derating this appliance at a high altitude, also attach the High Altitude Deration Label, supplied in the Owner's Manual Packet, to this same surface.

Prior to attaching the labels, fill in all the information that is requested in these labels.

**For installations from 610-1370 meters (2000-4500 ft.) the orifice sizes (DMS) for natural are 38 and 44 and for propane gas are 53 and 55, respectively. See data plate for additional information. For high altitude installations consult the local gas distributor or the authority having jurisdiction for proper rating methods. If the installer must convert the unit to adjust for varying altitudes, the information sticker must be filled out by the installer and adhered to the appliance at the time of conversion."**

**«Cet appareil est équipé pour des altitudes comprises entre 0 et 2000 pieds (0-610 m) seulement»**

This appliance has been converted for use at an altitude of \_\_\_\_\_

Orifice size \_\_\_\_\_ Manifold Pressure \_\_\_\_\_

Input (Btu/h) \_\_\_\_\_ Fuel Type \_\_\_\_\_

Date of conversion \_\_\_\_\_ Converted by \_\_\_\_\_

«Cet appreeil a été converti au \_\_\_\_\_

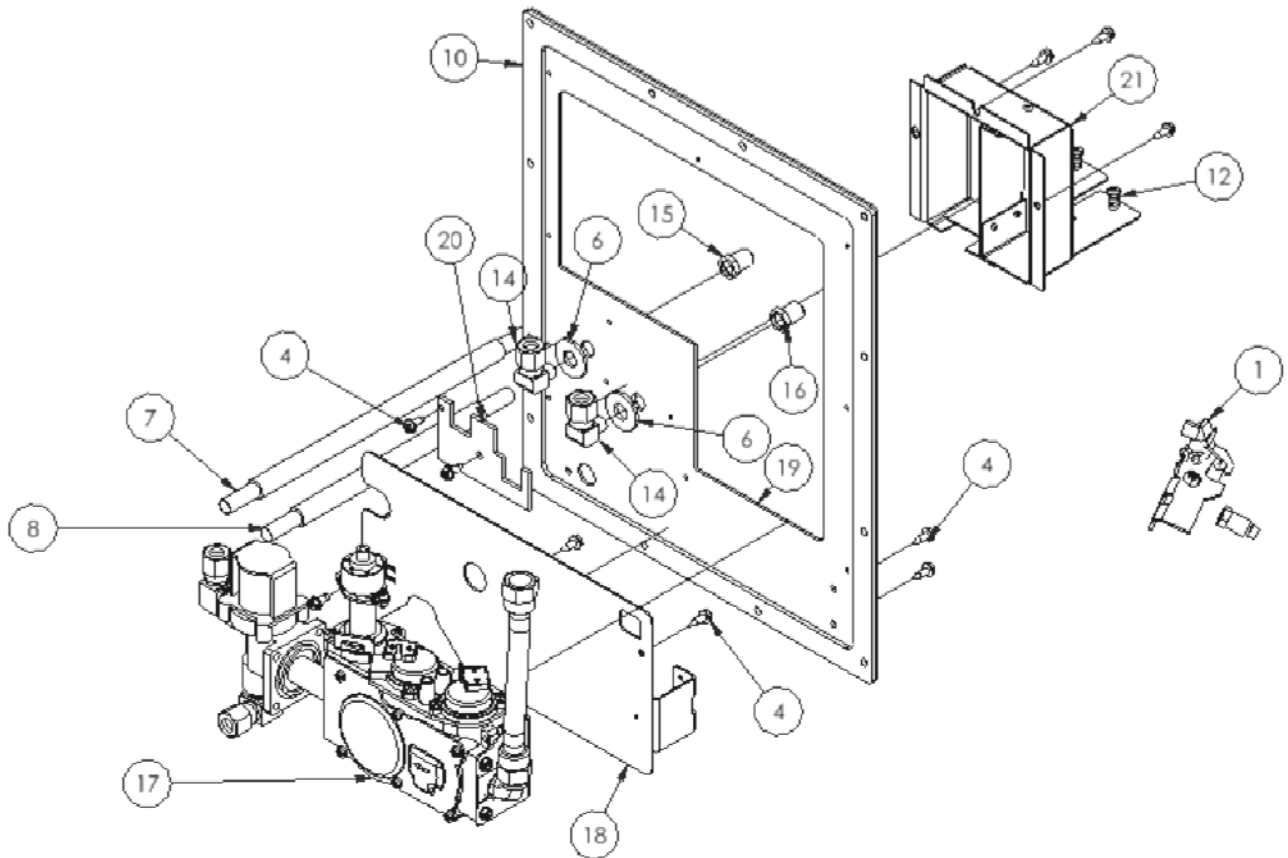
Injecteur \_\_\_\_\_

Pression à la tubulure d'alimentation \_\_\_\_\_

Déoit calorifique \_\_\_\_\_

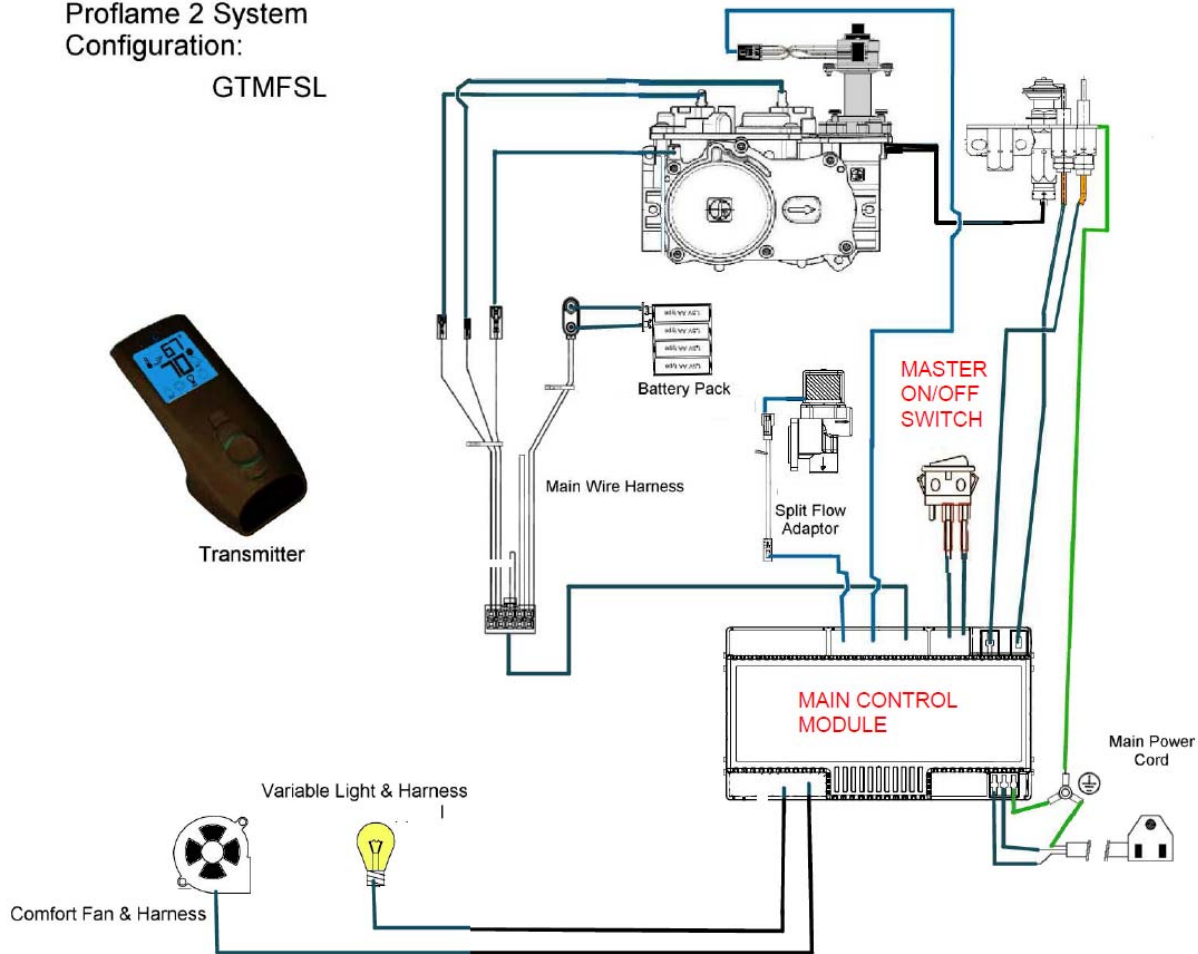
## FV46 VALVE ASSEMBLY REPLACEMENT PARTS

| ITEM | QTY | PART NUMBER | DESCRIPTION                                      |
|------|-----|-------------|--|
| 1    | 1   | 05-04-00062 | PILOT, PSE-NA361, 2-WAY HOOD                     |
| 2    | 1   | 10-03-00105 | GROUNDING WIRE EXTENSION, 19" HIGH TEMP          |
| 4    | 11  | 50-01-00156 | HHSMS, #8-18 X 1/2" TYPE AB, BLACK ZINC          |
| 5    | 1   | 50-01-00174 | SCREW, HEX WASHER, 8-32 X 3/8", TYPE F, BLK ZINC |
| 6    | 2   | 50-04-00022 | WASHER, STD 3/8" 7/16 X 1 OD                     |
| 7    | 1   | 55-02-00073 | TUBING, 3/8" OD X 10" SS 304                     |
| 8    | 1   | 55-02-00087 | TUBING, 3/8" OD X 8" SS 304 </td                 |
| 9    | 1   | 55-02-00090 | TUBING, FLARED FLEX 3/8" OD X 6" SS              |
| 10   | 1   | 65-02-00142 | GASKET, VALVE COVER, FV47                        |
| 12   | 4   | 65-06-00577 | CABLE NUT, PUSH PULL WITH STOP, #V18129          |
| 14   | 2   | 65-07-00010 | BCF, 3/8 TBE X 1/8MPT COMP ELBW-AF               |
| 15   | 1   | 65-14-00037 | ORIFICE, #37                                     |
| 16   | 1   | 65-14-00044 | ORIFICE, #44                                     |
| 17   | 1   | HA-78-00183 | SIT VALVE AND SOLENOID ASSEMBLY                  |
| 18   | 1   | HA-87-00038 | VALVE HEAT SHIELD, FV46                          |
| 19   | 1   | HA-87-00039 | FIREBOX COVER PLATE, FV46                        |
| 20   | 1   | HA-87-00146 | ORIFICE FITTINGS ROTATION STOP, FV46             |
| 21   | 1   | HA-88-00071 | ASSEMBLY, SHUTTER BOX, FV46                      |



## FV46 GAS IGNITION SYSTEM WIRING DIAGRAM

Proflame 2 System  
Configuration:  
GTMFSL



The appliance must be electrically connected and grounded in accordance with local codes or, in the absence of local codes, with the current NFPA 70-National Electric Code or CSA C22.1-Canadian Electrical Code.

Caution: Label all wires prior to disconnection when servicing controls. Wiring errors can cause improper and dangerous operation” and “Verify proper operation after servicing.”

Attention: Au moment de l’entretien des commandes, étiquetez tous les fils avant le débranchement. Des erreurs de câblage peuvent entraîner un fonctionnement inadéquat et dangereux.” “S’assurer que l’appareil fonctionne adéquatement une fois l’entretien terminé.

## GLASS FRAME ASSEMBLY REPAIR AND REPLACEMENT

**DO NOT** substitute other manufacturer's materials or components.

**DO NOT** operate unit with cracked, broken or missing glass.

**DO NOT** abuse the glass door by striking the glass, slamming the door shut, etc

### WARNING

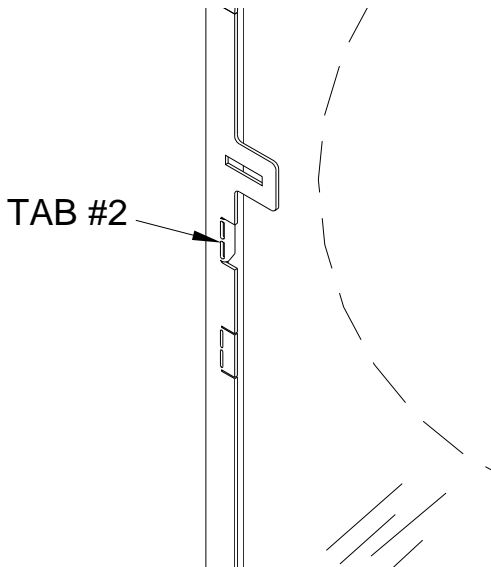
Use only authorized parts and materials obtained from Johnson Gas Appliance Company when replacing defective or damaged glass.

### WARNING

Do not operate this appliance with the glass removed, cracked or broken. Glass should be replaced by a licensed or qualified person.

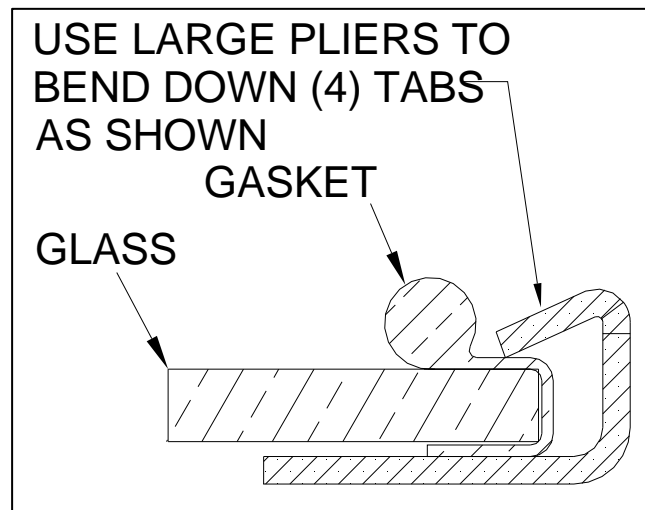
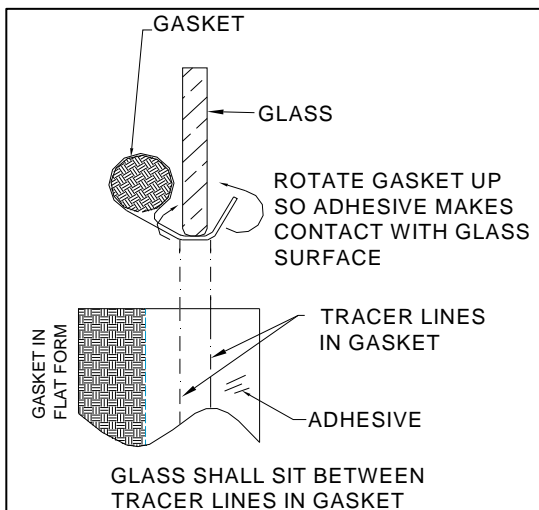
### TO REPLACE DAMAGED GLASS

1. Bend Glass Retainer Tabs up 90 degrees. Four tabs hold down the glass and gasket assembly.
  2. Remove the damaged glass and gasket material. Clean the inner surface of the glass frame.
  3. Assemble new gasket on glass edge starting with the bottom left corner. The adhesive on the gasket should make contact with the glass surface. Use tracer lines in gasket to determine where the glass should sit on the gasket surface.
  4. Place glass and gasket assembly in glass frame and carefully bend down glass retainer tabs. Extra glass retainer tabs are provided should any originally used tabs break off.
- The glass frame assembly and its individual components are available through Johnson Gas Appliance Company. Contact your dealer for more detailed ordering information.



### GLASS FRAME ASSEMBLY # HA-78-00103 REPLACEMENT PARTS LIST

| ITEM | PART NUMBER | DESCRIPTION                           |
|------|-------------|---------------------------------------|
| 1    | HA-78-00210 | FRAME, WELDMENT, GLASS, FV46          |
| 2    | 65-02-00103 | GASKET, TADPOLE, 3/8" BULB, 3/4" TAIL |
| 3    | 65-06-01184 | GLASS, CERAMIC, FV46                  |



**LISTING LABEL INFORMATION**

The model information regarding your specific appliance can be found on the rating plate, which is located inside the right side controls access door. When contacting your dealer for any cleaning service or warranty service, always provide the Model Number, Serial Number and Manufactured Date. This information will expedite the warranty verification process.



LISTED DIRECT VENT GAS FIREPLACE HEATER  
(POELE AU GAZ HOMOLOGUÉE, À AÉRATION DIRECTE)  
NOT FOR USE WITH SOLID FUEL  
(NE DOIT PAS ÊTRE UTILISÉ AVEC UN COMBUSTIBLE SOLIDE)

MANUFACTURED BY (FABRIQUÉ PAR):  
JOHNSON GAS APPLIANCE CO. CEDAR RAPIDS, IOWA  
CERTIFIED FOR CANADA HOMOLOGUÉ POUR LE CANADA  
TESTED TO (TESTÉ AUX NORMES)  
ANSI Z21.88-2009 \* CSA 2.33-2009 \* CAN/CGA 2.17-M91

**WARNING: IMPROPER INSTALLATION, ADJUSTMENT, ALTERATION, SERVICE OR MAINTENANCE CAN CAUSE PROPERTY DAMAGE, PERSONAL INJURY, OR LOSS OF LIFE. REFER TO THE OWNER'S INFORMATION MANUAL PROVIDED WITH THIS APPLIANCE. INSTALLATION AND SERVICE MUST BE PERFORMED BY A QUALIFIED INSTALLER. DO NOT OPERATE WITH GLASS DOOR REMOVED, CRACKED, OR BROKEN. THIS VENTED GAS FIREPLACE HEATER IS NOT FOR USE WITH AIR FILTERS. REGISTER KIT MAY BE USED.**

**MISE EN GARDE: INSTALLATION, RÉGLAGE, MODIFICATION, ENTRETIEN OU DÉPANNAGE NON APPROPRIÉS POURRONT CAUSER DES BLESSURES OU DES DOMMAGES MATÉRIELS. RÉFÉREZ-VOUS AU MANUEL DU PROPRIÉTAIRE FOURNI AVEC CET APPAREIL. POUR ASSISTANCE OU RENSEIGNEMENTS COMPLÉMENTAIRES, VEUILLEZ CONSULTER UN INSTALLATEUR EXPÉRIMENTÉ, UNE AGENCE DÉ DÉPANNAGE/ENTRETIEN OU COTRE COMPAGNIE GAZIÈRE, POUR UTILISATION AVEC LES PORTES EN VERRE CERTIFIÉE L'APPAREIL SEULEMENT. NE PAS OPÉRER AVEC LE VERRIÈRE ENLEVÉ, CRAQUELURE, BRISÉ.**

**CAUTION: DO NOT OPERATE THE APPLIANCE WITH GLASS REMOVED, CRACKED OR BROKEN. REPLACEMENT OF THE PANEL(S) SHOULD BE DONE BY A LICENSED OR QUALIFIED SERVICE PERSON.**

**CAUTIONNER: N'OPÈRE L'APPAREIL AVEC LE VERRE ENLEVÉ, CRAQUE OU CASSE. LE REMPLACEMENT DU PANNEAU(S)**

|   | <input type="checkbox"/> NATURAL GAS<br>(GAZ NATUREL) | <input type="checkbox"/> LP GAS<br>(GAS DE PÉTROLE)<br>LIQUÉFIÉ (GPL) |
|---|---|---|
| INPUT RATING (BTU/HR) 0-2000ft (0-610m) (ENTRÉE NOMINALE)               | 45,500  | 45,500  |
| MIN. INPUT RATING (BTU/HR) 0-2000ft (0-610m) (MINIMALE ENTRÉE NOMINALE) | 13,000  | 15,500  |
| ORIFICE 0-2000ft (0-610m) (ORIFICE)                                     | FRONT #44 REAR #37                                    | FRONT #55 REAR 1/16 <sup>th</sup>                                     |
| ORIFICE 2000-5000ft (610-1370m) (ORIFICE)                               | FRONT #45 REAR #37                                    | FRONT #55 REAR 1/16 <sup>th</sup>                                     |
| INPUT RATING (BTU/HR) 2000-5000ft (610-1370m)                           | 44,000  | 45,000  |
| MAXIMUM OUTPUT (BTU/HR) (SORTIE MAXIMALE)                               | 34,034  | 34,671  |
| MANIFOLD PRESSURE (in. wc.kPa) (PRESSION AU COLLECTEUR)                 | 3.5 (0.872)   | 10.0 (2.49)   |
| MANIFOLD PRESSURE, LOW (in. wc.kPa) (PRESSION D'ENTRÉE MINIMALE)        | 1.6 (0.399)   | 6.4 (1.59)  |
| MINIMUM INLET PRESSURE (in. wc.kPa) (PRESSION D'ENTRÉE MINIMALE)        | 5.0 (1.25)  | 11.0 (2.74)   |

THIS APPLIANCE IS ONLY FOR USE WITH THE TYPE OF GAS INDICATED ON THE RATING PLATE AND MAY BE INSTALLED IN AN AFTERMARKET, PERMANENTLY LOCATED MANUFACTURED (MOBILE) HOME WHERE NOT PROHIBITED BY LOCAL CODES. SEE OWNER'S MANUAL FOR DETAILS. THIS APPLIANCE IS SUPPLIED WITH A CONVERSION KIT.

CET APPAREIL SERA INSTALLÉ CONFORMÉMENT AVEC LES CODES LOCAUX, LE CAS ÉCHÉANT. SI AUCUN CODE N'EXISTÉ, SUIVEZ LA NORME ANSI Z223.1 OULA NORME CAN/CGA (ACNOR)-B149.

| MINIMUM CLEARANCES TO COMBUSTIBLE CONSTRUCTION |                  |  |
|--|------------------|--|
| UNIT TO FLOOR                                  | 0in. (0 mm)      | GLASS EDGE TO ADJACENT SIDEWALL 16in. (406 mm)         |
| UNIT TO ENCLOSURE SIDEWALL                     | ½in. (13 mm)     | VENT PIPE TOP TO COMBUSTIBLES 2in. (51 mm)             |
| UNIT TO ENCLOSURE BACK WALL                    | ½in. (13 mm)     | VENT PIPE SIDES TO COMBUSTIBLES 1in. (0 mm)            |
| UNIT TOP TO ENCLOSURE CEILING                  | 1-1/2in. (38 mm) | VENT PIPE BOTTOM TO COMBUSTIBLES 1in. (0 mm)           |
| UNIT FLOOR TO ROOM CEILING                     | 72 in. (1830 mm) | 8" MANTLE ABOVE DISCHARGE AIR OPENING 19.5in. (495 mm) |

**CAUTION: HOT WHILE IN OPERATION. DO NOT TOUCH. KEEP CHILDREN, CLOTHING, FURNITURE, AND FLAMMABLE LIQUIDS OR VAPORS AWAY.**

**ATTENTION: L'APPAREIL EST CHAUD LORSQU'IL FONCTIONNE. NE PAS TOUCHER L'APPAREIL. SURVEILLER LES ENFANTS. GARDER LES VÊTEMENTS, LES MEUBLES, L'ESSENCE OU AUTRES LIQUIDES À VAPEUR INFLAMMABLES LOIN DE L'APPAREIL.**

**ELECTRICAL RATING (COURANT NOMINAL): 120 VOLTS 60 HERTZ LESS THAN 1.5 AMPERES**

DO NOT REMOVE OR COVER THIS LABEL  
VEUILLEZ A NE JAMES ENLEVER NI DISSIMULER CETTE ÉTIQUETTE

**MFG. DATE:**

MODEL: FV46

SERIAL NO. WH-FV46-

65-01-000422

**MENDOTA WARRANTY QUALIFICATION & SERVICE REFERENCE FORM**

As a part of Mendota's on-going program of customer satisfaction, this Form verifies proper installation and operation. It is important as a reference for future service. It insures long life and trouble-free operation of Mendota fireplaces & stoves and qualifies the owner for Mendota's lifetime limited warranty. Owner should sign Form when completed and mail a copy along with Warranty Registration to Mendota. **OPTIONALLY, PLEASE REGISTER AT OUR WEBSITE AT:**

[WWW.JOHNSONGAS.COM/MENDOTA-REGISTRATION.ASP](http://WWW.JOHNSONGAS.COM/MENDOTA-REGISTRATION.ASP)

HOME OWNER: \_\_\_\_\_ DEALER: \_\_\_\_\_  
ADDRESS: \_\_\_\_\_ ADDRESS: \_\_\_\_\_  
CITY/STATE/ZIP: \_\_\_\_\_ CITY/STATE/ZIP: \_\_\_\_\_  
SIGNATURE: \_\_\_\_\_ PHONE: \_\_\_\_\_  
MODEL #: FV46 \_\_\_\_\_ SERIAL #: \_\_\_\_\_ DATE INSTALLED: \_\_\_\_\_

Mendota direct vent fireplaces are sophisticated, hi-tech gas appliances. All installation and operating instructions must be carefully followed. This FV46 fireplace must be installed and serviced by a qualified Mendota approved service person.

**REF: \_\_\_\_\_ MENDOTA FV46 INSTALLATION MANUAL**

- APPROVED VENT PIPES AND VENT CAP INSTALLED - Per Manual.  
Vent pipes must be fully twist-locked and leak proof.  
Check minimum and maximum vertical / horizontal and vent runs.  
1000° sealant must be used on inner joints at adjustable pipe sections.
- CHECK FOR PROPER CLEARANCES TO COMBUSTIBLES & VENT LOCATIONS - Per Manual
- INSTALL PROPER SIZE GAS LINES - CHECK FOR GAS LEAKS - Per Manual
- CHECK FOR CORRECT GAS PRESSURE AT MANIFOLD - Per Manual
  - a. 3.5 Inches Water Column Maximum - Nat. Gas
  - b. 10.0 Inches Water Column Maximum - L.P. Gas
- CYCLE BURNERS ON/OFF FOR PROMPT IGNITION - Per "LIGHTING INSTRUCTIONS"  
Burner must light IMMEDIATELY - Flame must travel promptly around "curve" & light burner.
- INSTALL LOGS AND ADJUST FLAME - Per Manual  
Proper pilot flame impingement on Flame Sensor & burner - Air shutter opening: 1/8" Nat. Gas – 5/16"-1/2" LP  
Check that flame is "stable" and is not "lifting" off burner
- BRIEF OWNER ON OPERATION AND MAINTENANCE OF UNIT
  - Light Pilot  Operate Burner  Train on Remote Control Functions  Explain Thermostatic Functions

**WARRANTY REGISTRATION**

Your Name \_\_\_\_\_  
Address \_\_\_\_\_  
City \_\_\_\_\_ State \_\_\_\_\_ Zip \_\_\_\_\_  
Dealer (Place of Purchase) \_\_\_\_\_  
City \_\_\_\_\_ State \_\_\_\_\_ Zip \_\_\_\_\_  
Date of Purchase \_\_\_\_\_ Serial Number \_\_\_\_\_  
Purchaser's Signature \_\_\_\_\_

MENDOTA FV46 DIRECT VENT FIREPLACE

CUT OUT PAGE AND MAIL TO: JOHNSON GAS APPLIANCE CO., 520 E AVE. N.W., CEDAR RAPIDS, IOWA 52405

**PLEASE REGISTER AT OUR WEBSITE AT: [WWW.JOHNSONGAS.COM/MENDOTA-REGISTRATION.ASP](http://WWW.JOHNSONGAS.COM/MENDOTA-REGISTRATION.ASP)**

TAPE SHUT



**JOHNSON GAS APPLIANCE COMPANY  
520 E AVENUE N.W.  
CEDAR RAPIDS, IA 52405**



## MENDOTA EXTENDED PROTECTION AND LIMITED WARRANTY MENDOTA FV46 DIRECT VENT FIREPLACE

Mendota Division of Johnson Gas Appliance Company, 520 E Avenue N.W. Cedar Rapids, Iowa 52405, extends this Extended Protection and Limited Warranty to the original purchaser of a Mendota FV46 Fireplace, which is limited and used under normal home conditions.

### STANDARD WARRANTY:

JOHNSON GAS APPLIANCE CO., MENDOTA DIVISION, WARRANTS THAT YOUR NEW MENDOTA FIREPLACE AND ALL ITS COMPONENTS ARE FREE FROM MANUFACTURING AND MATERIAL DEFECTS FOR A PERIOD OF ONE YEAR FROM THE DATE OF INSTALLATION. SUBJECT TO PROOF OF PURCHASE AND THE CONDITIONS AND LIMITATIONS OUTLINED, BELOW.

### EXTENDED WARRANTY:

THE MAIN BURNER ASSEMBLIES ARE WARRANTED FOR A PERIOD OF 2-YEARS TO THE ORIGINAL OWNER, FROM THE DATE OF PURCHASE. SUBJECT TO PROOF OF PURCHASE AND THE CONDITIONS AND LIMITATIONS OUTLINED, BELOW.

THE HEAT EXCHANGER, COMBUSTION CHAMBER AND OUTER SHIELD OF THE MENDOTA FV46 FIREPLACE ARE WARRANTED FOR 10-YEARS TO THE ORIGINAL OWNER. SUBJECT TO PROOF OF PURCHASE AND THE CONDITIONS AND LIMITATIONS OUTLINED, BELOW.

- 1) This new Mendota Fireplace must be installed & serviced by a competent, authorized service contractor. It must be installed and operated at all times in accordance with the installation and operating instructions furnished with the Fireplace. All adjustments to logs, coals or burner must be made by an authorized Mendota person. Any alteration, willful abuse, accident or misuse of the product shall nullify this warranty. This warranty does not cover glass or log breakage.

This limited warranty does not cover the cost of service calls, the cost of labor to remove or install parts covered by this limited warranty, freight or other transportation expenses, which may be incurred in connection with obtaining performances under this limited warranty. The remedy for damages as the result of any defects in this product which have been warranted herein is limited to replacement parts and does not include any incidental, indirect or consequential damages or expenses sustained in connection with the product, including damages to property, except as provided by law.

- 2) This warranty is non-transferable and is made to the original retail purchaser, provided the purchase was made through an authorized Mendota dealer.

Mendota is not responsible for any damage to or malfunction of the Fireplace unless caused by a defect in material or workmanship from normal home use. Damage caused by abuse, improper installation, improper servicing, and installation by unqualified personnel or breach of conditions of this limited warranty will excuse Mendota from performance of any part of this limited warranty. Mendota has the right to investigate and inspect the exact, original Fireplace and entire installation (without any alterations or tampering) in the event a claim is made to determine whether the claimed damage or malfunction was caused by abuse, improper installation or other cause outside this warranty. Mendota is not responsible for any repairs or material purchases that have not received prior written approval from Mendota.

NOTE: Minor warping of certain parts or discoloration is normal and is not a defect covered by this warranty. Major warping of parts can be caused by over-firing of your Mendota Fireplace. Over-firing above rated nameplate specification is as contrary to the manufacturer's instructions and may void this warranty.

This warranty may not be extended by our representatives or any third party in any manner. The company neither assumes, nor authorizes any third party to assume, on its behalf, any other liabilities with respect to the sale of this Mendota product.

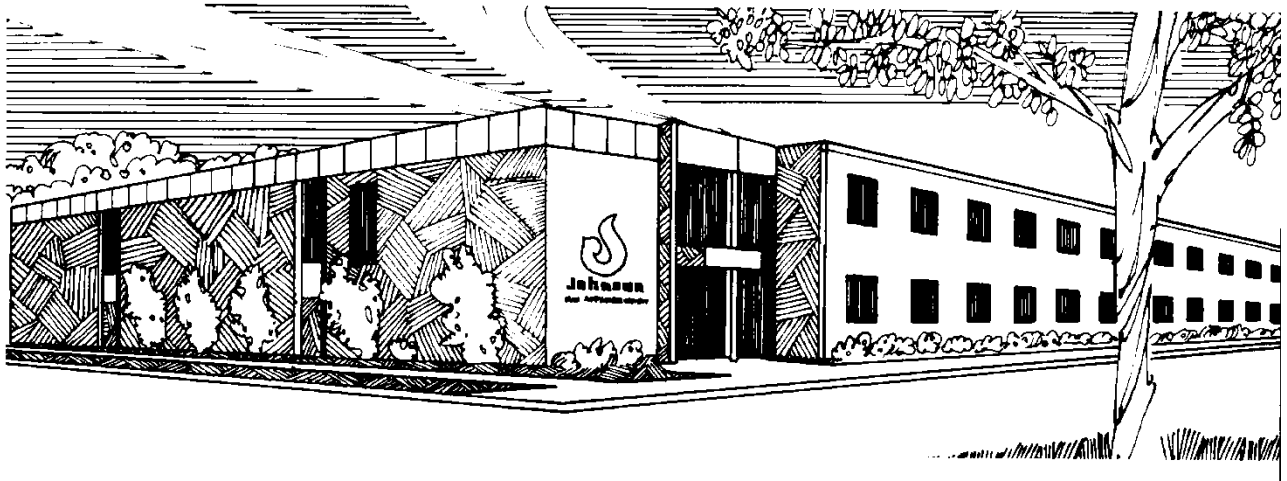
- 3) Mendota may at its discretion, fully discharge all obligations of this warranty by refunding the wholesale price of the defective part(s).
- 4) All other warranties - expressed or implied - with respect to the product, its components and accessories, or any obligation/liabilities on the part of the company are hereby expressly excluded. Products made by other manufacturers, sold with the Fireplace or thereafter, are not covered by this limited warranty. The use of unauthorized components will make this warranty null and void.
- 5) It remains the full responsibility of the owner to operate this appliance within the guidelines provided in the Installation Manual and the Operating Instructions Manual accompanying this appliance. Further, the owner shall bear full responsibility to enforce clearances to combustibles requirements and cautioning others about hot glass surfaces and hot metal surfaces. Owner, by operating this appliance, accepts that this is a heat producing appliance which has glass and steel parts that are hot enough to cause severe burns. Owner accepts that this appliance requires close monitoring of children and vulnerable individuals who are in the vicinity of this appliance when this appliance is in operation. Mendota does not assume or accept any liability claims for burns or other physical or material damages resulting from touching hot glass surfaces and hot metal surfaces that are part of this appliance or other adjacent object such as hearth pads and mantels that may heat up during operation of this appliance.

This warranty shall be effective only if the original purchaser of the Mendota appliance is registered with Mendota Division within thirty (30) days of the date of purchase. Such registration or the failure to register shall not be deemed to create any obligation or liability by the manufacturer and this warranty with its conditions and limitations shall be the only procedure for obtaining any rights against the manufacturer and expresses the sole obligation and responsibilities of the manufacturer which are offered to the original purchaser and accepted upon purchase of the appliance.

Mendota Division, reserves the right to make changes at any time without notice, in design, material, specifications, prices and the right to discontinue styles and products.

Some states do not allow the exclusion of limitation of incidental or consequential damages or limitations on how long an implied warranty lasts, so the above limitation or exclusion may not apply to you. This warranty gives you specific legal rights and you may also have other rights which vary from state to state.





Johnson Gas Appliance Company  
520 E Avenue N.W. - Cedar Rapids, IA 52405  
Mendota Hearth Division

WEBPAGE: [www.johnsongas.com](http://www.johnsongas.com) or [www.mendotahearth.com](http://www.mendotahearth.com)