

DIRECT-VENT PREMIUM CLEAN-FACE
MULTI-SIDED FIREPLACES



AMERICAN HEARTH



Direct-Vent Premium See-Through



*Direct-Vent Premium
See-Through Fireplace,
Cottage Brick Liner
with Soldier Course,
and Campfire Logs*

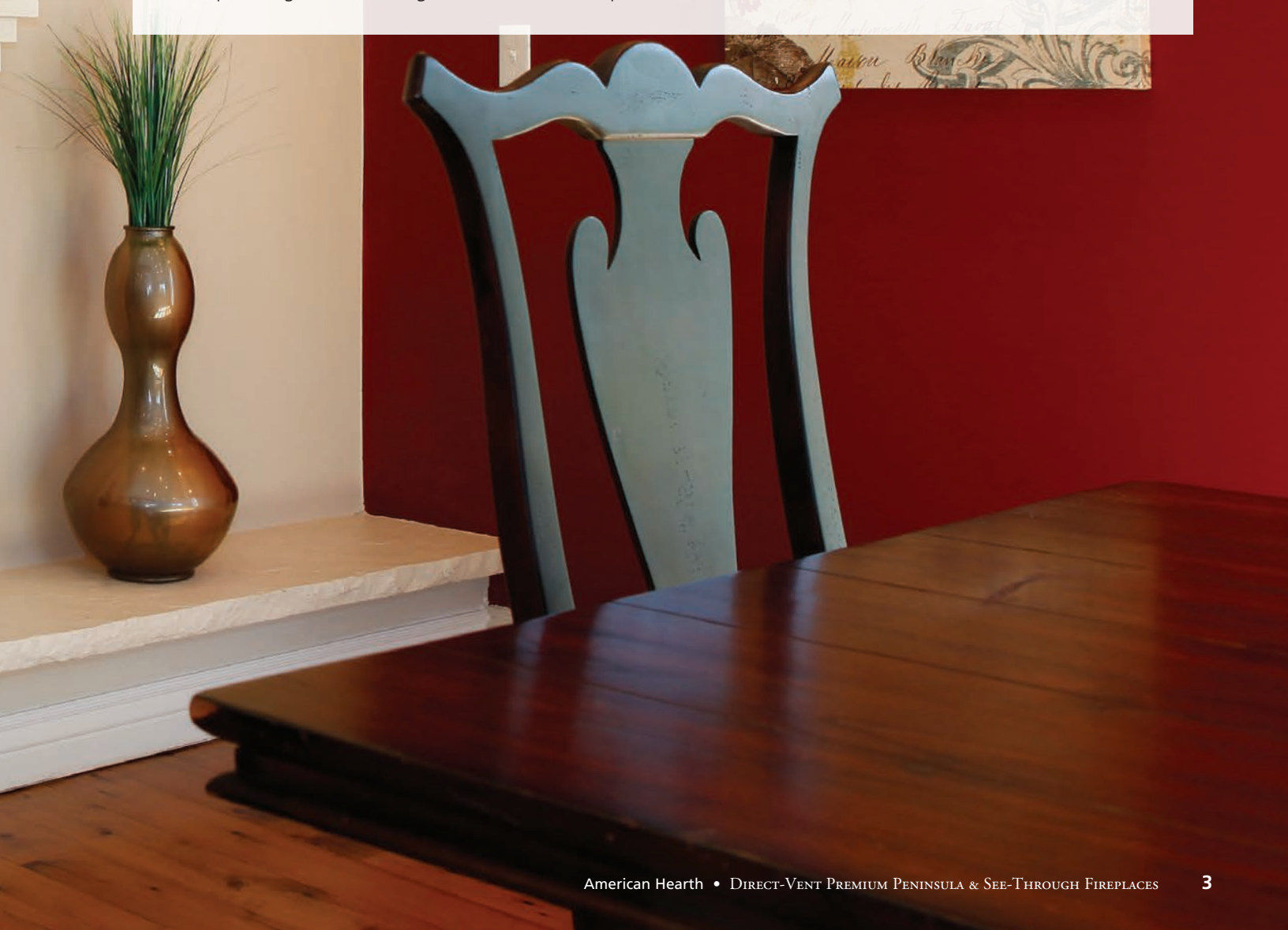
AMERICAN HEARTH – MADISON PREMIUM CLEAN-FACE MULTI-SIDED FIREPLACES

Break free from the traditional one-dimensional fireplace with an American Hearth multi-sided clean-face fireplace. Choose a See-through system, which installs in an interior wall to bring warmth and beauty to two rooms, or a big bold Peninsula fireplace that projects its ambiance and warm glow directly into your living space— both at 34,000 Btu (Nat) / 32,500 Btu (LP). Your Direct-Vent Fireplace includes barrier screens to protect against touching the hot glass.

DECORATIVE ACCESSORIES

Surround your new fireplace with tile, stone, or brick. The clean-face design and neatly concealed controls will leave guests guessing – is it wood-burning or gas?

An attractive assortment of liners and fronts – used alone or in combination – can transform your new fireplace from simply sublime to opulently ornate – or any level in between. Choose the hand-painted Campfire Logs or Mixed Logs and Stones to complete the look.



Direct-Vent Premium Peninsula



Direct-Vent Premium Peninsula Fireplace, Cottage Brick Liner with Soldier Course, Mixed Stones and Logs, and Rectangle Front in Brushed Nickel



LINERS (Order one for Peninsula; order two for See-Through)



Cottage Brick with Soldier Course

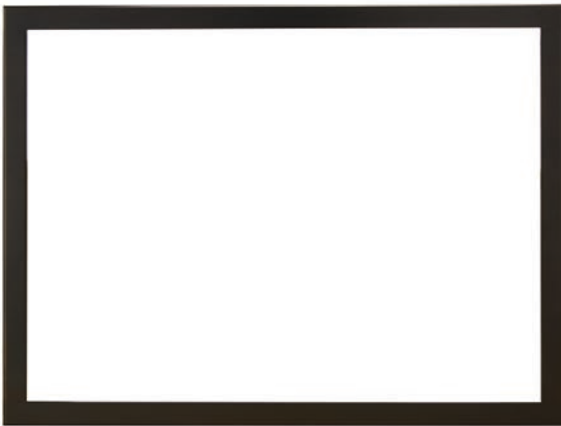


Black Fluted Liner



Black Porcelain

DECORATIVE FRONTS & DOORS



Rectangle Front, shown in Oil-Rubbed Bronze



Alexandra Doors, Brushed Nickel with Matte Black



The available lighting kit draws attention to the intricate details in the log set and liner – even when no fire is burning. Enhance heat distribution with the optional variable-speed blower. Both the light and blower include a rheostat control.



Optional Variable-Speed Blower



Optional Lighting Kit

CONTROL OPTIONS

Choose from Intermittent Pilot ignition or Millivolt. Both will operate in a power outage.

With our Intermittent Pilot system, an electric spark lights the “intermittent” pilot, which then lights the main burner to provide heat and ambiance. Because there’s no standing pilot, an IP system saves energy throughout the fireplace season. The IP system uses electricity to provide ignition for day-to-day operation, but includes a battery backup to provide spark during a power outage.

Our Millivolt system has a standing a pilot – proven reliable in decades of use in fireplaces and heaters. It operates without power and without batteries.

Both the Millivolt and IP systems work with any of our control accessories – from a simple on/off switch to a hand-held remote to a thermostat to a programmable thermostat remote. An available variable remote control accessory for IP systems lets you control flame height from the comfort of your couch.



*FRBTP Programmable
Remote Control
Millivolt or IP*



*FRBC
Remote Control
Millivolt Only*



*FRBTC Thermostat
Remote Control
Millivolt or IP*



*RVKP or RVKN
Remote Control
IP Only*



*FWS
Wall Switch
Millivolt or IP*



*TRW Wireless
Wall Thermostat
Millivolt or IP*



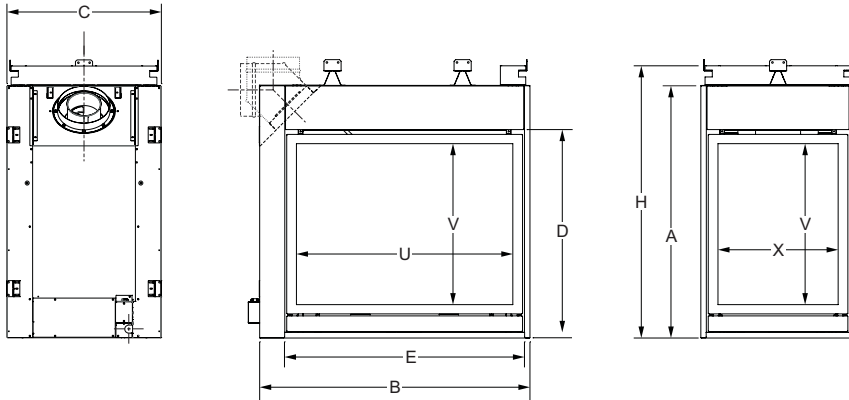
*TMV
Wall Thermostat
Millivolt or IP*

INSTALLATION REQUIREMENTS

Includes non-combustible board for installation above the fireplace. Additional non-combustible materials may be required. See installation manual.

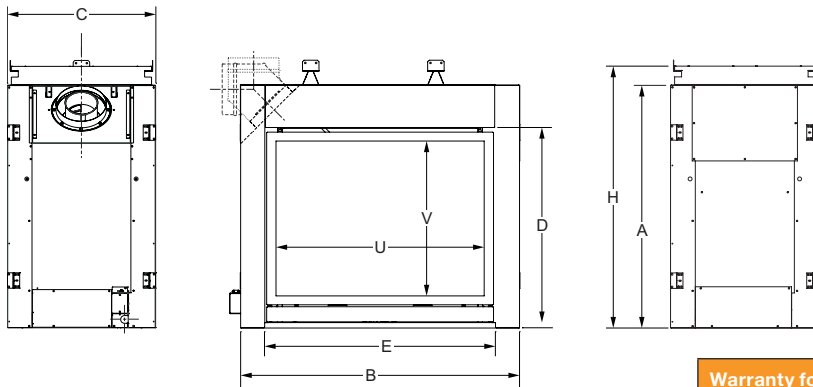
DV PREMIUM PENINSULA FIREPLACE DIMENSIONS

Model	A Max Height	B Max. Width	C Max. Depth	D Height	E Width	F Interior Depth	H Height to Standoffs	U Viewing Area Width	V Viewing Area Height	X Viewing Area Width - Sm
DVCP36PP30	39 1/4	42	24	31 1/2	37 1/4	20 1/4	42 3/8	33 5/8	25	18 5/8
DVCP36PP70	39 1/4	42	24	31 1/2	37 1/4	20 1/4	42 3/8	33 5/8	25	18 5/8



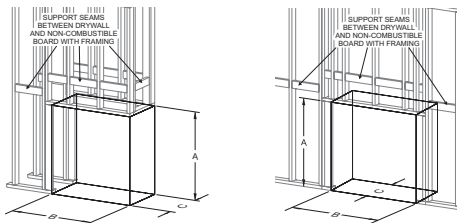
DV PREMIUM SEE-THROUGH FIREPLACE DIMENSIONS

Model	A Max Height	B Max. Width	C Max. Depth	D Height	E Width	F Interior Depth	H Height to Standoffs	U Viewing Area Width	V Viewing Area Height
DVCP36SP30	39 1/4	45	24	31 1/2	37 1/4	20 1/4	42 3/8	33 5/8	25
DVCP36SP70	39 1/4	42	24	31 1/2	37 1/4	20 1/4	42 3/8	33 5/8	25



MINIMUM FIREPLACE OPENING DIMENSIONS

Model	A	B	C
DVCP36PP	42 1/2	41 3/4	23
DVCP36SP	42 1/2	45 1/2	23



Warranty for All Models

10-year limited warranty on combustion chamber, limited lifetime on glass.
All other parts carry a three-year limited warranty.
All remote controls carry a one-year limited warranty.

Note: Empire is committed to continuous product improvement; specifications are subject to change without notice. Dimensions in this brochure are approximate; read and follow the framing dimensions in the owners manual supplied with your Empire product.

All direct-vent fireplaces manufactured after January 1, 2015, must be installed with a barrier screen to prevent accidental contact with hot glass. Depending on the fireplace model, the barrier screens are available separately or incorporated into decorative fronts. See Owner's Manual for details.

Refer to your Owner's Manual for complete installation and safety information.

Gas Inlet	
Type of Gas (State on Order)	Natural or LP
Iron Pipe Size (N.P.T.)	1/2 inch
Ignition Systems	Standing Pilot/Piezo or IP

Member of the following industry associations:



This appliance is design-certified to the ANSI standard by:



Empire Comfort Systems has manufactured safe, reliable heating systems since 1932. We take pride in our reputation for quality products, backed by the best sales, service, and distribution network in this industry. These fireplaces combine proven technologies with exceptional artistry and craftsmanship to add beauty and warmth to any home. Empire is committed to continuous product improvement; specifications are subject to change without notice. Dimensions in this brochure are approximate; read and follow the framing dimensions in the owners manual supplied with your Empire product. Refer to your Owner's Manual for complete installation and safety information.



SINCE 1932

918 Freeburg Ave.
 Belleville, IL 62220-2623
 e-mail: info@empirecomfort.com

AH-00980 02/09/17