

MADISON SERIES DIRECT-VENT FIREPLACES



AMERICAN HEARTH



### AMERICAN HEARTH – MADE IN AMERICA

We design every American Hearth fireplace using the best available technology and build each one to the highest-quality standards in our manufacturing facility in Belleville, Illinois.

We make most of our components – from cutting steel to forming to welding to painting – and then hand assemble each fireplace to ensure the best fit and finish. For purchased parts, we give preference to North American suppliers – including our hand-painted log sets, our tempered and ceramic glass, the paint and powder coating, and even the packaging we use to protect our products until they reach your home.

The result is a fireplace that's built to last by experienced craftsmen and craftswomen – a fireplace that's as deeply rooted in history as fire itself – American Hearth.

### MADISON SERIES

The American Hearth Madison direct-vent fireplaces draw in fresh outside air to support combustion and exhaust combustion by-products to the outdoors.

The Madison's vent-within-a-vent isolates the incoming fresh air from the exhaust, yet still requires just a single hole through the wall or roof. This makes them attractive, reliable heat sources for any home.

Many Madison fireplaces are heater rated, with a maximum Steady State Efficiency of up to 82 percent for Deluxe and Premium and 85 percent for Luxury models. Millivolt and RF models will provide heat even when ice or snow brings down electric power lines.

Louvers at the top and bottom help circulate the warmed air. All controls are discreetly concealed behind the lower panel.

The fireplace's simple, elegant design features hem-bent seams that seal better and eliminate dozens of screws and fasteners – for a more rigid box that simplifies installation.

All models include glowing embers and lava rock for the ultimate in realism.

Fireplace barrier screens, required for all direct-vent systems, protect you and your family from inadvertently touching the hot glass.

The Madison collection of Direct-Vent Fireplaces includes Deluxe, Deluxe Clean Face, Premium, Luxury, and Multisided models.

## DELUXE MODELS

- 18,000 Btu, 32-inch, 5-piece Log Set
- 20,000 Btu, 36-inch, 5-piece Log Set
- 25,000 Btu, 42-inch, 7-piece Log Set
- 28,000 Btu, 48-inch, 7-piece Log Set

## DELUXE CLEAN FACE MODELS

- 18,000 Btu, 32-inch, 7-piece Log Set
- 20,000 Btu, 36-inch, 6-piece Log Set
- 25,000 Btu, 42-inch, 7-piece Log Set

Deluxe models feature our Contour tube-style burner, designed to complement the hand-painted ceramic fiber log set, and produce a natural dancing flame.

Choose a conventional Deluxe Madison model – with louvers and available trim kits – or our Clean Face Deluxe Fireplace – with a discreet air distribution channel that eliminates the look of louvers, yet still allows you to operate the optional blower.

Both feature large heat-resistant, tempered glass windows that provide an unobstructed view to the log set.

DVD models require just 16 inches of depth; DVCD models require 17-3/4. Both use 4 x 6-5/8 venting, making them ideal for applications where wall-cavity space is tight.

Deluxe models are offered in Millivolt (with standing pilot) and in Intermittent Pilot, similar to the ignition in a modern gas range. Both are available in LP or Natural Gas.

Both the Deluxe and Deluxe Clean Face Models share optional liner offerings – Aged Brick, Herringbone, Stacked Stone, and Black Reflective.

Conventional Deluxe fireplaces may be installed in the wall or in a cabinet or corner mantel.

Deluxe Clean Face systems are designed for in-wall installation. Tile or other non-combustible material may be used to conceal the outer edge of the fireplace to provide a true built-in appearance.



*Deluxe Direct-Vent Fireplace with Black Arch Louvers and Outer Frame in a Cherry Standard Mantel.*



*Deluxe Clean Face Direct-Vent Fireplace in custom mantel with tile surround.*



*Premium Direct-Vent Fireplace with White Profile Mantel shown with Optional Aged Brick Liner, Black Outer Frame, Slat Louvers, and Bottom Trim.*

## MADISON PREMIUM MODELS

- 25,000 Btu Nat, 36-inch, 4-piece Log Set, 4 x 6 5/8 Venting
- 27,000 Btu LP, 36-inch, 4-piece Log Set, 4 x 6 5/8 Venting (Top-Vent Only)
- 28,000 Btu, 42-inch, 4-piece Log Set, 5 x 8 Venting
- 30,000 Btu, 48-inch, 4-piece Log Set, 5 x 8 Venting

The Premium Madison includes a tempered glass view window and a four-piece log set, mounted atop our legendary Slope Glaze Burner for a rich flame pattern within a taller, deeper log stack that complements the deeper fireplace (20 inches).

Premium Madison fireplaces are offered in Millivolt models (with standing pilot), in Intermittent Pilot models (requires 120V to operate but includes battery backup), and in Multi-Function Remote models. Our Green Earth Preferred IP and Multi-Function Remote models eliminate the standing pilot for even greater efficiency and energy savings.

Multi-Function Remote Models include a thermostat remote control that automatically varies flame height and blower speed to maintain your pre-set temperature. These models can operate with a standing pilot, to provide heat during a power outage.



*Madison Premium 42 Direct-Vent Fireplace (DVP42FP) shown with Optional Herringbone Brick Liner.*





*Luxury Direct-Vent Fireplace with Custom Mantelshelf and Slate Tile Surround.*

## MADISON LUXURY MODELS

- 35,000 Btu Nat, 36-inch, 13-piece Log Set, 4 x 6 5/8 Venting (Top-Vent Only)
- 30,000 Btu LP, 36-inch, 13-piece Log Set, 4 x 6 5/8 Venting (Top-Vent Only)
- 37,500 Btu Nat, 42-inch, 13-piece Log Set, 5 x 8 Venting (Top-Vent Only)
- 35,000 Btu LP, 42-inch, 13-piece Log Set, 5 x 8 Venting (Top-Vent Only)

Madison Luxury models retain the same overall dimensions as Premium models but feature ceramic glass (for better heat transfer), a dimmer-controlled accent lamp inside the fireplace, an automatic blower, and an intricately detailed 13-piece log set atop the Slope Glaze Excess Burner for a fuller ember bed. And with their larger flame, Luxury fireplaces produce more heat. Choose a liner – in brick, stone or Black Reflective.

Luxury models are offered in Millivolt (with standing pilot), Intermittent Pilot, and in Multi-Function Remote models. Our Green Earth Preferred IP and Multi-Function Remote models eliminate the standing pilot for even greater efficiency and energy savings. Multi-Function Remote models include a thermostat remote control that automatically varies flame height and blower speed to maintain your pre-set temperature. In the event of a power outage, these fireplaces can operate with a standing pilot to provide uninterrupted heating.



*Madison Luxury 42 Direct-Vent Fireplace shown with Banded Brick Liner.*



## MADISON DIRECT-VENT MULTISIDED FIREPLACE SYSTEMS

Heater Rated at 35,000 Btu input, the Madison direct-vent system draws in outdoor air to support combustion and sends its exhaust directly outdoors, and must be located in a position that allows venting through an exterior wall or through the roof. Multi-sided Madison fireplaces install using readily available 4 x 6 5/8 direct-vent pipe.

Madison systems include a built-in 24-inch Slope Glaze Vista Burner, large tempered-glass viewing windows, Banded Brick Liner, ceramic fiber floor liner, dimmer controlled lighting, and glowing embers. The 24-inch Rock Creek Log Set and barrier screens must be ordered to complete the fireplace. (Doors are not available on multisided fireplaces.)



*The Madison Premium 36-inch Peninsula Direct-Vent Fireplace includes the 35,000 Btu Slope Glaze Vista Burner (for use with Rock Creek refractory log set only), large tempered glass view windows, and Banded Brick Liner. Shown with Peninsula Mantel and Base in Nutmeg finish. Fireplace also available in See-Through models with two open sides.*



*Rugged looking refractory logs give the Rock Creek Log Set a rustic look on a grand scale.*

*Left: Opposite side view.  
Right: End view.*

## MANTELS

We offer Standard Cabinet and Corner Cabinet Mantels finished in Cherry, Nutmeg, Dark Oak, Oak (light), and White. Or choose unfinished oak or unfinished hardwood. Both are sanded and ready to finish. Standard Mantels fit Deluxe and Premium models and feature a small base integrated into the front. Availability of mantels varies by model. Ask your dealer for details.



FRBTP  
Remote Control



FRBTC Thermostat  
Remote Control



FRBC or FREC  
Remote Control



Multi-Function  
Remote Control



TRW  
Wall Thermostat



TMV  
Wall Thermostat



FWS  
Wall Switch

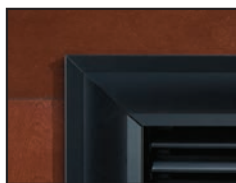
## CONTROLS

Take charge of your Millivolt or IP fireplace with a battery-operated remote control, thermostat remote, electric remote control, wall thermostat, or wall switch.

## OUTER FRAMES AND BOTTOM TRIM

Our metal three-piece outer frames let you transition from your fireplace to the adjoining mantel or wall. Choose steel frames – with traditional crisp lines – or aluminum frames – that combines gentle concaves with flat surfaces. The frames and optional bottom trim are available in black or hammered pewter.

### Extruded Aluminum Frames Not available for Peninsula models.



Matte Black  
(Shown on Cherry Mantel)



Hammered Pewter  
(Shown on Oak Mantel)

## DECORATIVE LOUVERS



Decorative Louver Mission



Decorative Louver Arch

## LINERS



Herringbone Brick  
(Ceramic Fiber)



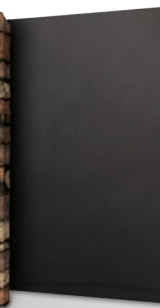
Aged Brick  
(Ceramic Fiber)



Banded Brick  
(Ceramic Fiber)



Stacked Fieldstone\*  
(Ceramic Fiber)



Black Reflective  
(Metal)

\*Stacked Fieldstone Liner not available for 48-inch Models

## ACCESSORIES

Your Direct-Vent Fireplace requires a barrier to protect against touching the hot glass. Choose a simple Barrier Screen for an ultra-clean look or opt for the Door Frame with Barrier Screen plus Hinges to accept an operable door set. Screens, Frames, and Doors are available in Matte Black only.

Please note: a Barrier Screen is already included in the Deluxe Clean-Face models.

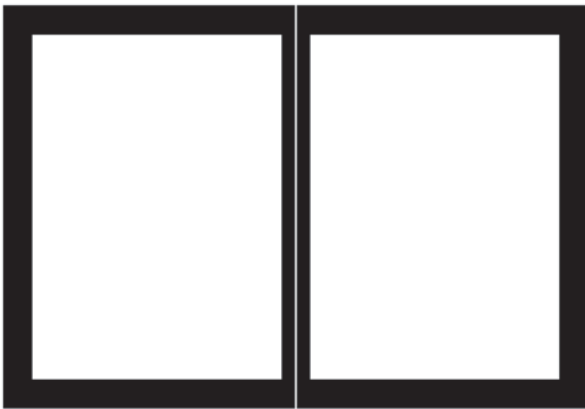
## DOOR FRAME WITH BARRIER SCREEN



*Door Frame with Barrier Screen (Matte Black Only)*

## DECORATIVE DOORS – include handles

Matte Black Only. Requires Door Frame with Barrier Screen.



*Decorative Doors, Rectangle*



*Decorative Doors, Arch*



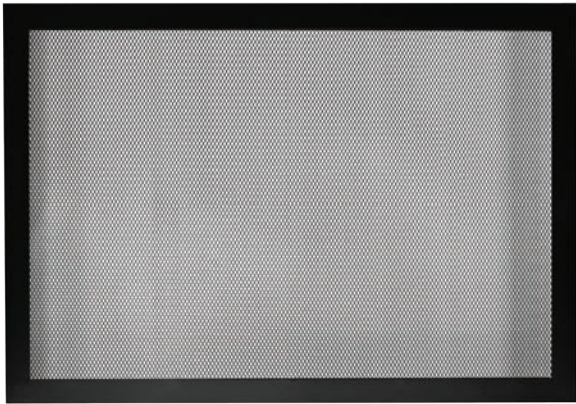
*Decorative Doors, Mission Rectangle*



*Decorative Doors, Mission Arch*



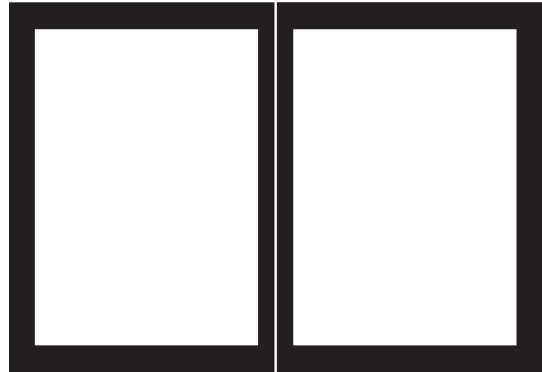
## DOOR FRAME WITH BARRIER SCREEN



*Door Frame with Barrier Screen (Matte Black Only)*

## DECORATIVE DOORS – include handles

Matte Black Only. Requires Door Frame with Barrier Screen.



*Decorative Doors, Rectangle*

*Madison DVX36FP Direct-Vent Fireplace with Banded Brick Liner installed in a Custom Mantel, with Custom Marble Surround, Matte Black Arch Louvers and Matte Black Extruded Aluminum Frame.*

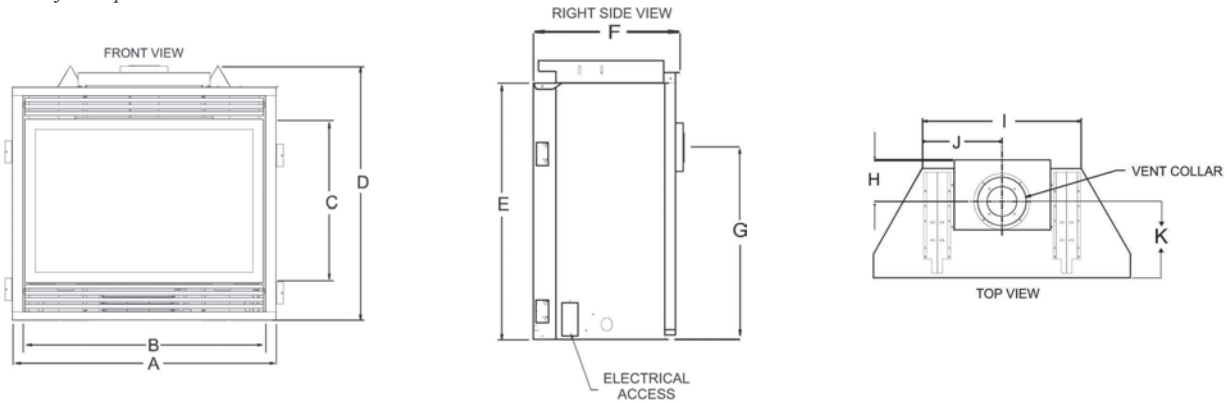


# Fireplace Dimensions

## FIREPLACE DIMENSIONS FOR DELUXE, PREMIUM, & LUXURY MODELS (in inches)

Model	A	B	C	D	E	F	G	H	I	J	K
DVD32FP	34	31	23 1/16	35 5/8	32 3/4	16 3/8	24 1/2	7 1/8	21 1/2	10 3/4	9 1/4
DVD36FP	37	34	23 1/16	35 5/8	32 3/4	16 3/8	24 1/2	7 1/8	24 1/2	12 1/4	9 1/4
DVD42FP	43	40	25 1/16	37 5/8	34 3/4	16 3/8	26 1/2	7 1/8	30 1/2	15 1/4	9 1/4
DVD48FP	49	46	25 1/16	37 5/8	34 3/4	16 3/8	26 1/2	7 1/8	36 1/2	18 1/4	9 1/4
DVP36FP	39	36	25 1/16	37 5/8	34 3/4	19 7/8	26 1/2	7 1/8	27	13 1/2	12 3/4
DVP42FP	43	40	25 1/16	37 5/8	34 3/4	19 7/8	26	7 1/8	26 1/2	13 1/4	12 3/4
DVP48FP	49	46	25 1/16	37 5/8	34 3/4	19 7/8	26	7 1/8	32 1/2	16 1/4	12 3/4
DVX36FP	39	36	25 1/16	40 3/4	34 3/4	19 7/8	N/A	7 1/8	26 1/2	13 1/4	12 3/4
DVX42FP	43	40	25 1/16	40 3/4	34 3/4	19 7/8	N/A	7 1/8	26 1/2	13 1/4	12 3/4

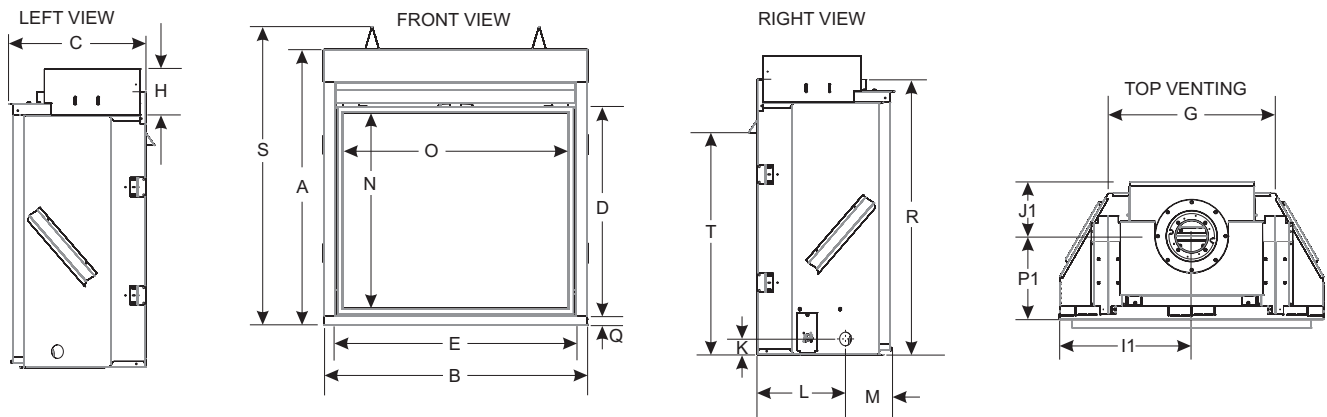
See owners manual for complete dimensions.



## FIREPLACE DIMENSIONS FOR DELUXE CLEAN-FACE MODELS (in inches)

Model	A	B	C	D	E	F	G	H	I1	J1	S
DVCD32FP	35-5/8	34-1/8	17-3/4	27-1/2	31	11-7/16	21-9/16	6	17-1/16	7	38-9/16
DVCD36FP	35-5/8	37-1/16	17-3/4	27-1/2	34	11-1/2	24-9/16	6	18-9/16	7	38-9/16
DVCD42FP	37-5/8	43-1/16	17-3/4	29-1/2	40	11-9/16	30-9/16	6	21-9/16	7	40-5/8

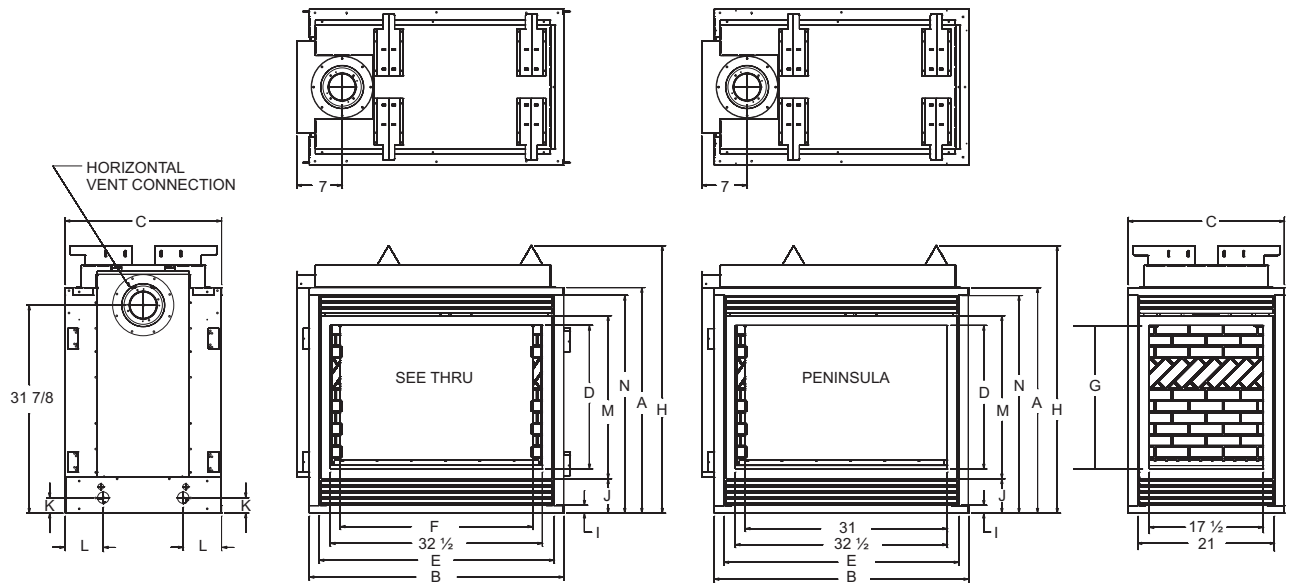
See owners manual for complete dimensions.



## FIREPLACE DIMENSIONS FOR MULTISIDED MODELS (in inches)

Model	A	B	C	D	E	F	G	H	I	J	K	L	M	N
DVP36PP32E	34 3/4	39	24	—	36	32 5/8	—	41 1/8	1 1/4	5 3/8	2 1/2	5 7/8	25	33 1/2
DVP36SP32E	34 3/4	39	24	—	36	29 1/4	—	41 1/8	1 1/4	5 3/8	2 1/2	5 7/8	25	33 1/2

See owners manual for complete dimensions.



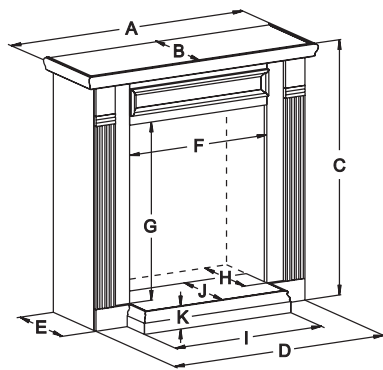
# MADISON STANDARD MANTEL SPECIFICATIONS (in inches)

Deluxe, Deluxe Clean-Face, Premium, and Luxury Models\*

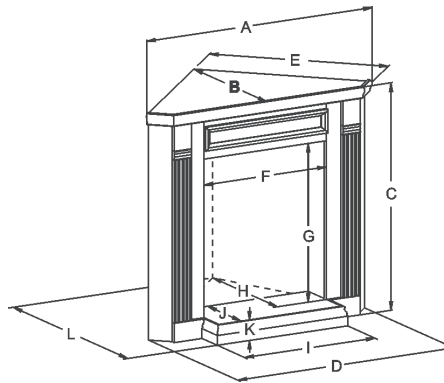
Model	A Top Width	B Top Depth	C Height	D Cabinet Width	E Cabinet Depth	F Opening Width	G Opening Height	H Inside Depth	I Base Width	J Base Depth	K Base Height	L Corner Depth	Fits
EMBF-1S	56 3/4	22 1/4	51 3/8	49	19 1/8	34 1/2	33 3/4	18 1/2	38 1/2	22 1/2	3 1/4		DVD32FP
EMBF-2S	60 3/4	22 1/4	51 3/8	53	19 1/8	38 1/2	33 3/4	18 1/2	42 1/2	22 1/2	3 1/4		DVD36FP
EMBF-3S	62 3/4	25 3/4	53 3/8	55	22 5/8	40 1/2	35 3/4	22	44 1/2	22 1/2	3 1/4		DVP36FP
EMBF-4S	66 3/4	25 3/4	53 3/8	59	22 5/8	44 1/2	35 3/4	22	48 1/2	22 1/2	3 1/4		DVD42FP/DVP42FP
EMBC-1S	63	37 1/4	51 3/8	57 3/4	44 1/2	34 1/2	33 3/4	33 1/2	38 1/2	20 3/4	3 1/4	40	DVD32FP
EMBC-2S	67	39 1/4	51 3/8	61 3/4	47 3/8	38 1/2	33 3/4	35 1/2	42 1/2	20 3/4	3 1/4	42	DVD36FP
EMBC-3S	69	40 1/4	53 3/8	63 3/4	48 3/4	40 1/2	35 3/4	36 1/2	44 1/2	20 3/4	3 1/4	43	DVP36FP
EMBC-4S	73	42 1/4	53 3/8	67 3/4	51 5/8	44 1/2	35 3/4	38 1/2	48 1/2	20 3/4	3 1/4	45	DVD42FP/DVP42FP

Mantels available in cherry, dark oak, oak, nutmeg, white, unfinished hardwood, and unfinished oak.

\*See owners manual for Peninsula Mantel specifications.



EMBF



EMBC

### Warranty for All Models

10-year limited warranty on combustion chamber; limited lifetime on glass.

All other parts carry a 3-year limited warranty.

All Remote Controls carry a 1-year limited warranty.

All direct-vent fireplaces manufactured after January 1, 2015, must be installed with a barrier screen to prevent accidental contact with hot glass. Depending on the fireplace model, the barrier screens are available separately or incorporated into decorative fronts. See owner's manual for details.

Refer to your Owner's Manual for complete installation and safety information.

### Gas Inlet for All Models

Type of Gas (State on Order)	Natural or LP (Direct Ignition models are Natural only)
------------------------------	---

Iron Pipe Size (N.P.T.)	1/2 inch
-------------------------	----------

Empire Comfort Systems has manufactured safe, reliable heating systems since 1932. We take pride in our reputation for quality products, backed by the best sales, service, and distribution network in this industry. These fireplaces combine proven technologies with exceptional artistry and craftsmanship to add beauty and warmth to any home. Empire is committed to continuous product improvement; specifications are subject to change without notice. Dimensions in this brochure are approximate; read and follow the framing dimensions in the owners manual supplied with your Empire product. Refer to your Owner's Manual for complete installation and safety information.

Member of the following industry associations:



This appliance is design-certified to the ANSI standard by:



918 Freeburg Ave.  
Belleville, IL 62220-2623  
e-mail: info@empirecomfort.com

Empire is committed to continuous product improvement; specifications are subject to change without notice. Dimensions in this brochure are approximate; read and follow the framing dimensions in the owners manual supplied with your Empire product. Flame size, shape, and color will vary from photos. Log Sets shown with Platinum Glowing Embers (PE20) and Ember Bed Kit (EK-1).

AH-00829 3/04/16