

Owner's Manual

Residential Factory Built Fireplace

Operation • Maintenance • Installation

OPEL2C

OPEL3C

Keep these instructions for future use.



Industrial Chimney Company Inc.
400 J.-F. Kennedy, St-Jerome, QC, Canada, J7Y 4B7
Telephone: (450) 565-6336
www.icc-rsf.com

RSF-IIPC_2016-07

Dear Customer,

The OPEL C incorporates technology with elegance to give you a beautiful view of the fire without compromising on heating efficiency or environmental quality.

We have designed your new OPEL C to be easy to install, operate and maintain. It is in your best interest to become familiar with it. Study your manual to be sure that the installation is correct, then follow the guidelines for operation and maintenance.

We at **RSF Woodburning Fireplaces** congratulate you on your choice of the OPEL C, and are confident that you have purchased a fireplace that is *simply, the best.*

Sincerely,

RSF Woodburning Fireplaces TEAM

January 2016

TABLE OF CONTENTS

SAFETY FIRST	3	DOOR(S) ADJUSTMENT	12
Do's AND DON'TS	3	INSTALLATION	14
CREOSOTE: FORMATION AND REMOVAL	3	LOCATION	14
GENERAL SPECIFICATIONS	4	CEILING CLEARANCE	17
THE COMBUSTION CONTROL SYSTEM	4	STANDOFFS INSTALLATION	17
CATALYTIC COMBUSTOR	4	SECURING THE FIREPLACE IN PLACE	17
OPTIONS	4	FRAMING	17
UNIT DIMENSIONS AND CLEARANCES	6	OUTSIDE AIR DUCT	17
OPERATION	8	CHIMNEY	18
AIR CONTROLS	8	CHIMNEY INSTALLATION	18
BURN TIME VS. HEAT OUTPUT	8	OFFSET CHIMNEY	19
FUEL	8	CHASE ENCLOSURE	20
FIRST FIRES	9	MASONRY CHIMNEY	21
LIGHTING	9	FINISHING AROUND THE FIREPLACE	22
ENGAGE THE CATALYST	9	HEARTH EXTENSION	22
CATALYST TEMPERATURE PROBE	9	BENEATH HEARTH EXTENSION	22
ADJUSTING THE BURN RATE	10	MANTEL	23
REFUELING	10	MANDATORY OPTIONS WITH THE CLEAN FACE	23
TROUBLESHOOTING PROBLEMS	10	REFRACTORY BRICK INSTALLATION	23
MAINTENANCE	11	GAS LOG INSTALLATION	24
CATALYTIC COMBUSTOR	11	LISTING LABEL	25
REPLACING THE CATALYST	11	COMPLETE OPTIONS LIST	26
CHIMNEY CLEANING	11	CONFIGURED OPTIONS LIST	27
DISPOSAL OF ASHES	11	REPLACEMENT PARTS	28
GENERAL CLEANING	11	LIMITED WARRANTY	30
PAINT	11		
GLASS CLEANING	12		

SAFETY FIRST

DO'S AND DON'TS

If this fireplace is not properly installed, a house fire could result. For your safety, follow the installation directions. Contact your local authority having jurisdiction (such as municipal building department, fire department, fire prevention bureau, etc.) regarding restrictions and installation requirements, and the need to obtain a permit.

To ANYONE using this fireplace: these **DO's** and **DO NOTs** are for your safety.

1. **DO** read this instruction manual before lighting your first fire.
2. **DO** burn seasoned wood fuel or a combination of densified fuel logs wood fuel.
3. **DO operate the fireplace with the door(s) either fully closed.** If the door(s) is(are) left partly open, gas and flame can be drawn out of the fireplace opening, creating both fire and smoke hazards.
4. **DO** keep all combustible materials (furniture, firewood, etc.) at least 4' away from the front of the fireplace.
5. This fireplace contains a catalytic combustor, which needs periodic inspection and replacement for proper operation. **DO** learn to properly use the catalytic combustor and properly maintain it.
6. To avoid glass breakage, **DO NOT** slam the fireplace door.
7. **DO NOT** ever use gasoline, gasoline-type lantern fuel, kerosene, charcoal lighter fluid or similar liquids to start or freshen up a fire in this fireplace. Keep all such liquids well away from the fireplace while it is in use.
8. **DO NOT overfire the fireplace. If you are unable to slow down the burning rate of the fire or if the chimney connector behind the top louver glows red, you are overfiring the fireplace.**
9. **DO NOT** burn chemical chimney cleaners. They contain contaminants that will render the catalyst inoperative.
10. **DO NOT** use a fireplace grate or other products not specified for use with this fireplace.
11. To avoid damaging the catalytic combustor, **DO NOT** operate this fireplace in a manner inconsistent with the operating instructions in this manual.
12. **DO NOT** operate this fireplace if the catalytic combustor is deactivated or removed, it is against the law.



♦ **NOTE:** We strongly recommend that our products be installed and serviced by professionals who are certified by the National Fireplace Institute in the U.S. or by Wood Energy Technology Transfer Inc. in Canada.



CREOSOTE: FORMATION AND REMOVAL

When wood is burned slowly, it produces tar and other organic vapors which combine with the expelled moisture from the wood to form creosote. The creosote vapors can condense in the relatively cool chimney of a slow burning fire. When ignited, this creosote makes an extremely hot fire. The chimney should be inspected periodically during the heating season to see if a creosote build-up has occurred. If a significant layer of creosote has accumulated (1/4" or more), it should be removed to reduce the risk of chimney fire.

❖ **WARNING: BURN DRY WOOD ONLY. DO NOT BURN: DRIFTWOOD, TREATED WOOD, COAL, GARBAGE, OR PLASTIC.**

Do not use construction scraps (e.g. 2x4 or plywood scraps) as your only supply of fuel as you can overheat and seriously damage the fireplace. Do not use more than one wax fuel log (e.g. Duraflame) at a time and only with a firescreen on the fireplace. Use only firelogs that have been evaluated for fireplace use. In Canada, they should meet the requirements of ULC/ORD-C127-M1990. Refer to the firelog warnings and caution markings prior to use.

GENERAL SPECIFICATIONS

The OPEL C fireplace is environmentally friendly as well as efficient. It is approved by the United States Environmental Protection Agency (EPA) at an emission rate of 2.5 grams per hour.

THE COMBUSTION CONTROL SYSTEM

Since the door(s) is sealed, all combustion air must come through the OPEL C's draft control. This control has a bimetal coil to allow more air when the unit is cold, and less air when the unit is hot, guarding against overheating. It can be controlled either manually with the lever that is located on the right below the door, or automatically with an optional electric wall thermostat.

For the first few days, it is best to operate the fireplace with the manual control fully open (moved to the right as far as possible). Just control the fire as you would any normal fireplace, using one or two logs at a time for a smaller fire, or more logs for more heat. Once you become familiar with operating the fireplace with the control open, you can start experimenting with lower settings. Remember: when the fireplace is hot, the control will not need as much movement to reduce the fire as when it is cold. The bimetal coil will already have shut the damper part way. See the "OPERATION" section for the details.

CATALYTIC COMBUSTOR

The OPEL C is equipped with a catalyst. It ignites creosote-forming gases in wood smoke at significantly lower temperatures. As a result, you get less creosote and more heat from your fire at low to medium burn rates. Less fuel goes up your chimney in the form of smoke.

If the smoke that passes through the catalyst is not hot enough (at least 150°C-300°F), it will accumulate soot, reduce performance and increase the maintenance required. Opening the bypass allows smoke to exit the chimney while bypassing the catalyst. The bypass should always remain open when lighting a new fire or reloading a fire.

DO NOT burn chemical chimney cleaners, as they can contain contaminants that will render the catalyst inoperative.

See the "OPERATION" section for the details.

OPTIONS

There are many different ways you can finish your OPEL C¹ fireplace. You can choose to install louvers – with or without the upper louver – louvers are available in various styles (regular black: FO-OPLB; or decorative black: FO-OPLC) or no louvers at all (FO-F3).

If you choose to install only the lower louver while blocking off the upper louver on your OPEL C fireplace, you **MUST** install two Gravity Vent Kits (FO-V2). Gravity vent dampers may not be installed on an OPEL C with a blocked upper louver.

If you choose to install your OPEL C fireplace without any louvers, you **MUST** install the Clean Face Option (FO-F3) along with two Gravity Vent Kits (FO-V2). Gravity vent dampers may not be installed on a Clean Face OPEL C. Furthermore, we recommend that you do not install any option requiring electricity or a thermal switch inside your fireplace since it will be difficult to access those components after the fireplace facing is covered with non-combustible materials. If you decide nevertheless to install electricity or a thermal switch in your Clean Face Opel C, remember that you may eventually have to break through the non-combustible finishing to access the electrical box or the thermal switch for servicing.

If you prefer a different look for your gravity vent(s), you can change the grill(s) for a contemporary vent grill(s) (FO-VGC).

To simplify the installation of thin non-combustible materials such as ceramic tile or sliced brick, we have designed a very versatile rock retainer kit. It is not designed or required for full brick or stone. With a Louvered OPEL C, you can choose to leave all the black metal completely exposed, partially exposed or completely covered with non-combustible material. Whether you have chosen a Louvered or Clean Face OPEL C, the FO-

¹ You can also refer to the configured option list on page 24.

KP3 kit will help you finish the facing of the fireplace as you wish. Thin materials can also be installed directly on the face of the OPEL C using high temperature silicone as glue, without a rock retainer kit.

For increased air circulation and marginally more heat output, you can add the Circulating Internal Blower (FO-FDHB5-N) to your Louvered OPEL C.

For constant heat, day and night, you will be surprised by what the Thermostat Option (FO-FDHC4) can do for you. This option provides you with the necessary parts to automatically control the draft control via a wall thermostat. It will keep your room temperature as even as though you were heating with oil, gas or electricity, except you will find wood heat more comfortable.

To maximize the distribution of the heat generated by your OPEL C fireplace throughout many rooms and different floors, consider the Central Heat Option (not EPA certified). With our Central Heat Blower (FO-FDHB6-1), you can use the house central heating ducts or dedicated ducts to circulate the fireplace heat to one or many rooms. The Central Heat Control (FO-FDHC6) will enable automatic control of the Central Heat Blower via a wall thermostat and thermal switch. The Zone Heat Control (FO-FDHCZ1) along with Zone Damper Kits (FO-FDHCZ2) will provide the same features as the Central Heat Control but for more than one heating zone. If you wish to install the Central Heat Blower on a Clean Face OPEL C, you will need the Central Heat T (FO-T) that will enable you to connect the central heat duct along with the left gravity vent on the fireplace.

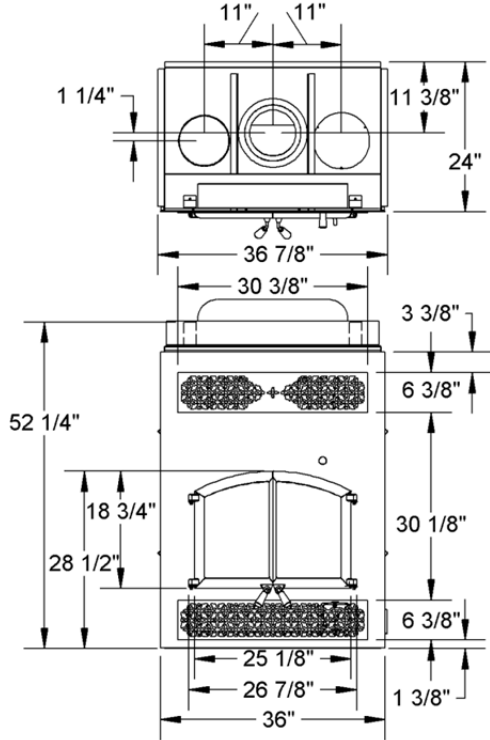
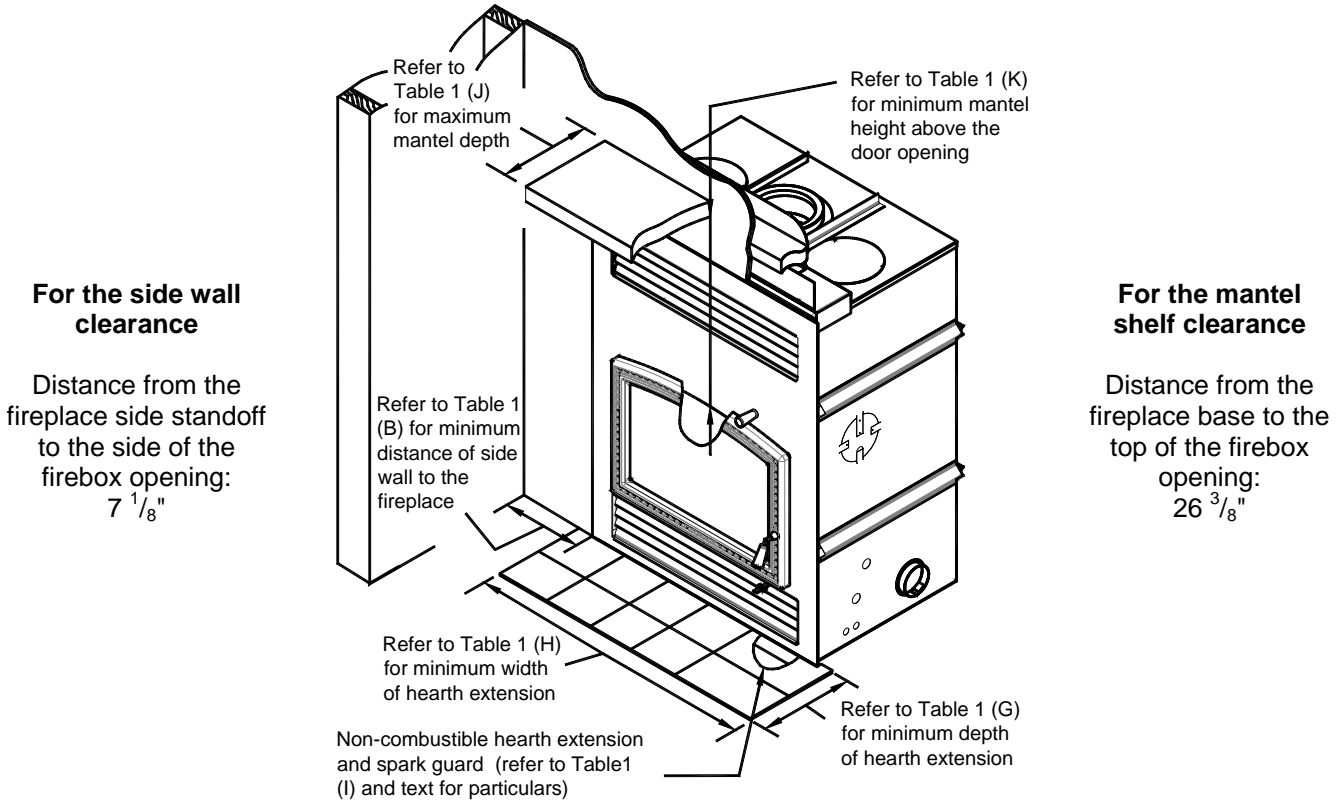
For a simpler way to circulate a moderate amount of warm air from the fireplace to another room, we offer the Heat Dump Kit (FO-HD) which uses a smaller fan than the Central Heat Blower. It is most often used to provide supplemental heating to a basement room when the fireplace is on the main floor but it can also be used to send the warm air upstairs.

To remove accumulated ashes from the firebox, simply shovel them in to a metal container. If you have chosen to install your OPEL C fireplace with a lower louver, you may find the optional Ash Pan Kit (FO-AP) very convenient. You remove the plug from the firebox and sweep the ashes into a hole to the ash pan. When the ash pan is full, simply remove the ash pan by the bottom louver and dispose of the ashes properly.

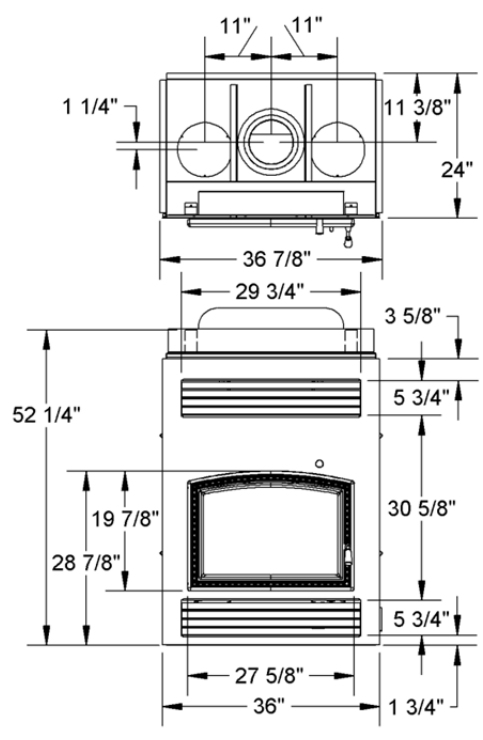
◆ **NOTE:** Many options require wiring and/or electricity for their installation. If there is any chance that any of these options will be installed in the future then suitable wiring should be run during framing. Otherwise, it will be difficult to install these options later. You can refer to page 26 for a list of options that require electricity.

Detailed installation instructions are included in the box with each option. These can also be obtained from our Internet Web Site: www.icc-rsf.com.

UNIT DIMENSIONS AND CLEARANCES



OPEL2C
with Decorative Grills



OPEL3C
with Regular Louvers

Figure 1 Unit Dimensions and Clearances

Table 1 Unit Dimensions and Clearances

A	Distance of combustible material from side, back and top standoffs	0" (0,0 mm)
B	Minimum distance of side wall to the side of the firebox opening	16" (406 mm)
C	Ceiling clearance: from the base of the fireplace to the ceiling	sealed enclosure 7' (2,13 m)
		vented enclosure 6' (1,83 m)
D	Minimum chimney height: minimum total chimney height from fireplace top to below the chimney rain cap	12' (3,66 m)
E	Maximum chimney height: maximum total chimney height from fireplace top to below the chimney rain cap	40' (12,19 m)
F	Maximum chimney height supported by the fireplace	18' (5,47 m)
G	Minimum depth of non-combustible hearth extension: from the front of the fireplace	18" (457 mm)
H	Minimum width of non-combustible hearth extension: from sides of the door opening	8" (203 mm)
I	Minimum width of the spark guard	36" (914 mm)
J	Maximum mantel depth (see Table 2 for other mantel sizes)	12" (305 mm)
K	Minimum height of a combustible mantel above the top of the door opening: from the highest point of the firebox opening to below the combustible mantel (see Table 2 for other installation heights) (refer to the "Installation: Mantel" section for particulars)	36 ½" (927 mm)
L	Minimum distance of combustible wall materials above the fireplace facing from the firebox opening (other than the combustible mantel shelf, see J and K above)	39 ¼" (997 mm)

Table 2 Various Mantel Depths and Corresponding Installation Heights

Maximum Mantel Depth	Minimum Installation Height
0" to 4"	23"
6"	25 ½"
8"	28"
10"	31"
12"	36 ½"

No combustible mantel can be installed lower than 23" above the top of the firebox opening. A combustible mantel cannot be wider than 12".

For combustible mantel depths not mentioned in the list above, you can interpolate the minimum installation height between the two closest mantel depths. For example:

- Mantel depth to be installed: **9 ¼"**
- It is between 8" and 10" with corresponding installation heights of 28" and 31"
- So: $((9.25 - 8) / (10 - 8)) \times (31 - 28) + 28 = 29.875 = 29 \frac{7}{8}"$
- Minimum installation height of a **9 ¼"** mantel: **29 7/8"** above the firebox opening.

If the combustible mantel has a cross-section with variable depth, it has to be installed so that its widest part is not installed lower than the corresponding minimum installation height while making sure that the lowest point of the mantel is not installed lower than the minimum installation height corresponding to its depth.

Refer to the "Installation: Mantel" section for particulars.

OPERATION

AIR CONTROLS

Unlike most open fireplaces, RSF fireplaces don't have flue dampers. Instead, the system is sealed by closing the door, and the amount of air entering the firebox is controlled by the combustion air control lever on the front of the fireplace on the right below the door (see Figure 2) which can be moved left or right. Setting the air control lever all the way open (towards the right) will allow the maximum amount of air into the firebox. Closing the air control (towards the left) will reduce the amount of air entering the firebox.

Bi-metallic Damper

The bi-metallic damper is a unique feature built into your OPEL C fireplace. As the fireplace heats up it will activate the bi-metallic damper. This will automatically begin to shut down the air entering the firebox, slowing the combustion process. This will save you wood in the long run, and prevent the fireplace from overheating and causing potential damage to the firebox. **We suggest that the combustion air control lever is used as the primary control to limit the oxygen entering the firebox, and that the bi-metallic damper is left as an additional safety system.**

Outside Air Control

The OPEL C has been designed to offer you the choice to use outside air or inside air for combustion. You will find a sliding door behind the bottom louver and below the firebox. Push the sliding door towards the back to select outside air or pull it toward the front to select inside air as the combustion air. Because outside air is generally colder and denser it will help to start the fire. In some cases this fresh air will also help compensate for negative pressure problems within the house; however it will not prevent the fireplace from smoking in a severely depressurized house.

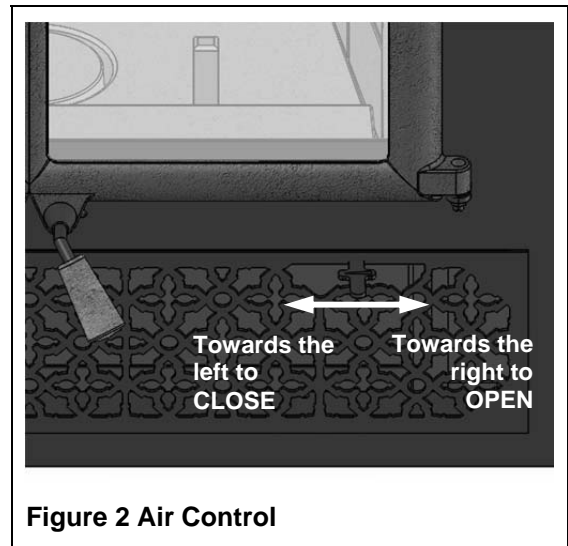
BURN TIME VS. HEAT OUTPUT

The faster your fireplace burns the more heat it will create; however, faster fires result in much more hot air flow up the chimney which means you are sacrificing efficiency. Fast burning fires (lots of air) go through much more wood than slow burning fires. To get the most out of your OPEL C fireplace, adequately adjust the combustion air control lever at the appropriate time. If the fire seems to be burning too quickly, turn the air down. If the fire is smoldering and there are no visible flames, turn the air up. This way you'll always be getting the most out of your fuel.

FUEL

All modern high efficiency fireplaces and woodstoves are designed to burn best with seasoned cordwood. Seasoned wood can be defined as wood that has been cut, split and let dry under cover for a minimum of 6 months, preferably a year or more. Dry seasoned wood generally contains less than 20% moisture content. Attempting to burn fuel with a high moisture content will be difficult and result in lower efficiency, increased creosote buildup and dark deposits on the glass. It's possible to burn a very large amount of wood, and get very little heat if the wood is wet.

The type of wood you select is also important. All types of wood give off more or less the same number of BTU's per pound. Since softer woods are less dense than hardwoods it is possible to put more weight of hardwood in the firebox; in other words all woodburning appliances will burn longer and more evenly with hardwoods. Never burn scrap, garbage, treated wood or driftwood as they produce much more pollution and can corrode the firebox and chimney as well. Burning large amounts of paper, cardboard, mill ends or construction waste can easily over fire and damage the fireplace or even ignite a chimney fire if the flue is dirty.



FIRST FIRES

You will experience a slow start-up during the first few fires. The refractory bricks lining the firebox contain moisture from manufacturing and require a few hot fires to evaporate the moisture. While there is still moisture in the bricks, they will be black with smoke deposits. When the moisture has dissipated, the bricks will turn white. Unlike cast iron stoves, there is no need to cure the fireplace itself by starting with small fires and progressively larger ones. Feel free to light a large fire from the very start.

You will experience a slight odor during the first few fires. This odor comes from curing paint and oil burning off the metal. The odor may be strong enough to set off your smoke detector. Open the doors and windows to allow the room to properly ventilate.

Before the first fire, be absolutely sure to use regular dish soap and water to wipe off all fingerprints and debris from the gold plating if you have chosen this option. The plating cures during this first fire, the acid from your finger prints will permanently etch the gold plating.

LIGHTING

Ensure that the catalytic bypass is open (pulled all the way out) while starting a fire (see Figure 3). Leave it open until the fire is hot (approx. 15-30 minutes).

Ensure that the combustion air control lever is all the way to the right in the open position. You will want as much air as possible for the lighting process.

Start by laying your fire starter and kindling. Traditional fire starter is crumpled newspaper; make sure to use enough to light the kindling (5-6 pieces should do). Next lay the kindling crisscrossed over the newspaper. Using plenty of kindling ensures that the chimney will heat up quickly and establish a strong draft, **never use any flammable liquids**. Light the paper and close the door most of the way, but don't shut it completely. If the door is positioned correctly you will see air rushing into the fireplace, this will help the lighting process.

Once the kindling is lit and sustaining fire, you can add some small pieces of seasoned cordwood. Use the andirons in front to help position the cordwood so as not to flatten and smother the fire you've just created. Always add at least 3 pieces of cordwood. Position your cordwood in a manner that the fire will hit several pieces as it rises and has air gaps to flow through. Continue to leave the door slightly open until the cordwood is lit. Close the door completely when the fire is established, if the fire goes out you've shut the door too early.

❖ **WARNING: DO NOT USE A GRATE OR ELEVATE THE FIRE.**

ENGAGE THE CATALYST

When the fire is hot, you should always engage the catalyst. To engage the catalyst, simply push the bypass handle all the way in so that the bypass damper is closed. Closing the bypass will force the smoke through the catalyst. When the catalyst is engaged you will receive more heat from your fireplace and it will burn much more cleanly.

The catalyst should not be engaged (bypass closed) unless the fireplace is hot. If the bypass is closed before the fireplace is hot, the catalyst will get dirty and no extra heat will be generated. The catalyst must be at least 175°C (350°F) before it will start to burn off the wood smoke. Typically this requires the fire to be lit for 15 to 30 minutes.

CATALYST TEMPERATURE PROBE

For an exact temperature reading at your catalyst, your fireplace is equipped with a temperature probe which measures the temperature within 1" of the catalyst. A wire and connector have been dropped down on the left side of the fireplace, inside the casing. You can connect to the probe with our optional Digital Temperature Display (FO-DTD) or any standard Type K Thermocouple/Sensor Thermometer.

For an accurate temperature reading the bypass must be closed. Here are the important temperature ranges that you need to be aware of:

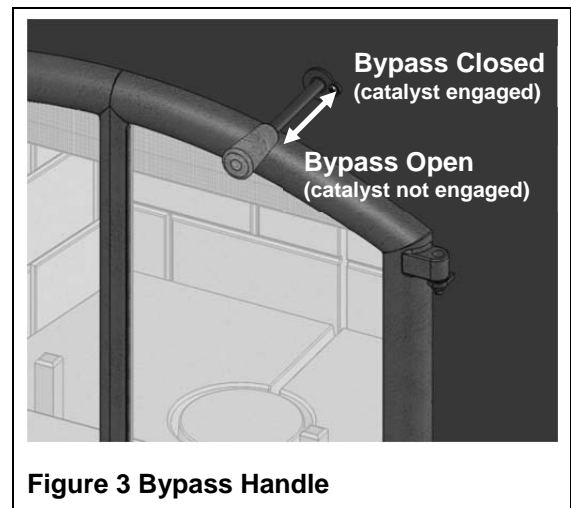


Figure 3 Bypass Handle

- Below 175°C (350°F): not enough heat is generated from the fire, add more wood, open the air control and keep the bypass opened.
- Between 175°C (350°F) and 700°C (1300°F): the temperature is just right for the catalyst, add more wood as necessary and keep the bypass closed except for reloading.
- Above 700°C (1300°F): too much heat is generated from the fire, do not add more wood, close the air control and let the fire die down to allow the temperature to drop within the normal operating range.

Try to **AVOID OVERHEATING THE CATALYST** as much as possible. Every time you do so, you reduce its useful lifetime.

ADJUSTING THE BURN RATE

To get maximum efficiency out of your fireplace you will want to adjust the amount of combustion air entering the firebox at the appropriate times. Gauge how much to close the combustion air by how the fire reacts once the combustion air control lever has been moved. If the fire goes out and begins to smolder, there's too little combustion air entering the firebox. If there's no change to the burn pattern, you can continue to close the combustion air further. Eventually you should be able to close the combustion air all or most of the way. There should always be visible fire inside the firebox at every step of the process.

REFUELING

Have your next wood load ready when you open the door. The temperature of the catalyst will decrease as the the door is open, so decreasing the amount of time the door is open will allow the catalyst to remain hot. Do not rush.

Pull the bypass handle all the way out, into the open position and turn off the central heat and internal blowers, if installed. The blowers may cause smoke to spill out of the fireplace if they are running.

The door should be opened slowly to keep smoke from spilling into your room. If you have a problem with smoke spillage, check to see that all kitchen and bathroom fans have been shut off. They can cause negative pressure in the house which pulls smoke out of the fireplace.

Once the wood has been loaded, close the door and close the bypass when the wood is well lit.

TROUBLESHOOTING PROBLEMS

If smoke comes into the house when the door is opened:

- You may have opened the door too quickly and created a suction of air into the room, this can be avoided by opening the door more slowly.
- Ensure your chimney is clean and your chimney cap is not plugged. Chimney caps with screens are more likely to become clogged with creosote buildup.
- Make sure you have adequate chimney height for your system. Refer to the Chimney section of this booklet and make sure to take altitude, and number of elbows into consideration.
- If you have purchased the central heat kit option or the circulating internal blower, make sure the blower is off before opening the door.
- Check to see if other fans in the home are running, particularly a kitchen range hood, or bathroom exhaust fan. This can affect the pressure in the home.
- Try opening a window near the fireplace a little, this will equalize the pressure in the home and should correct a draft problem. Once proper draft is established the window can be closed.
- Make sure you've used enough kindling to establish a hot fire quickly. The most likely time that smoke will enter the home is during the lighting process.

MAINTENANCE

CATALYTIC COMBUSTOR

Over time ash can become attached to the catalyst. If ash is visible on the face of the catalyst, it should be removed when the catalyst is cold. Brush the catalyst with a soft bristle brush (e.g. paint brush) to clear the ash. Also pass a vacuum near the face of the catalyst to remove the remaining ash, but try to avoid contacting the catalyst directly. Never touch the catalyst with any scrapers or hard bristle brushes and limit cleaning to the visible face of the catalyst. Attempting to clean the individual openings in the catalyst can do more harm than good.

If you notice that your fireplace is not creating as much heat as it once did, the catalyst may require cleaning or replacement. When having a hot fire with the bypass closed, watch the catalyst closely. If it is not burning red, then it is not firing. If the catalyst does not fire for several days, even during a hot fire, a replacement is required. The life expectancy of a catalyst is approximately 5-10 years. Replacement catalysts can be ordered from your local RSF retailer.

REPLACING THE CATALYST

When the catalyst requires replacement, a Catalyst Replacement Kit can be ordered from your local RSF retailer with the part code FO-CATP. To remove the old catalyst, start by removing the bolts that hold it in place on either side. The bolts can be removed with a ½" wrench. Pull firmly on the catalyst once the bolts have been removed. The gasket material that seals around the exterior of the catalyst will likely break and require replacement with the new gasket that is included with the FO-CATP.

Wrap the new catalyst on all sides with the catalyst gasket. Enough gasket is supplied to wrap the catalyst with two layers of the gasket material. Carefully insert the catalyst into the opening and reinsert the screws that hold it in place. The catalyst gasket expands as it is heated; so it is normal for the gasket to have some small gaps after being inserted. As the gasket expands, the spaces will be filled.

CHIMNEY CLEANING

Check the chimney for creosote buildup every week or so until experience shows how often you need to clean it. A buildup of ¼" or more should be cleaned before more creosote accumulates. Close the fireplace door(s) and open the bypass prior to sweeping. Use an 7" round brush.

Once the chimney has been swept, any creosote or ash that has fallen into the top of the fireplace can be removed with a flexible attachment for a vacuum (see Figure 4) through the bypass opening.



Figure 4 Cleaning around the bypass

DISPOSAL OF ASHES

Remove the ashes before they become too deep, i.e., before you have a spillage problem when you open the door.

The ashes should be placed in a metal container with a tight-fitting lid. The closed container of ashes should be placed on a non-combustible floor or on the ground, well away from all combustible materials pending final disposal. If the ashes are disposed of by burial, or otherwise locally dispersed, they should be retained in the closed container until all cinders have thoroughly cooled.

GENERAL CLEANING

The high heat paint and plating can be cleaned with a soft damp cloth. Use a mild detergent and water. Do not use abrasive cleaners.

PAINT

You can touch up the face of the OPEL C with *Stove Bright* Metallic Black high temperature paint which is available at most fireplaces dealers. Follow the directions outlined on the spray can. **DO NOT** attempt to paint the fireplace while it is still warm. Keep the spray can away from any source of heat or open flame. Ensure that there

is adequate ventilation in the room from the time you start painting until the paint is dry. *Stove Bright* is available in a wide range of colors if you want to change the color of your OPEL C.

We recommend that you take the time to protect or remove any item that you do not want to paint such as: the door glass, the plated door, the fireplace surroundings, etc. The glass can be removed from the door but you will have to replace the window gasket.

GLASS CLEANING

In a controlled combustion firebox, temperatures are not always high enough to keep the glass perfectly clean. A good hot fire once a day usually cleans off most of the deposits that have accumulated. Remember: the drier the wood and the hotter the fire, the cleaner the glass. A word of caution: although heat will not break the glass, impact can. Be careful not to hit the glass.

❖ **WARNING: NEVER CLEAN THE GLASS WITH AN ABRASIVE CLEANER. USE ONLY A CLEANER RECOMMENDED BY YOUR DEALER. NEVER CLEAN THE GLASS WHILE IT IS HOT, A SERIOUS BURN CAN RESULT. THERE ARE A NUMBER OF EXCELLENT WOOD STOVE GLASS CLEANERS AVAILABLE WHICH ARE FAR SUPERIOR TO REGULAR GLASS AND OVEN CLEANERS FOR WOOD STOVE APPLICATIONS.**

DOOR(S) ADJUSTMENT

To check for a proper door(s) seal, insert a thin sheet of paper between the door(s) and the front of the fireplace and latch the door. Pull gently but firmly on the sheet of paper. If the paper either tears or is hard to retrieve, the adjustment is correct. Repeat this procedure along all sides of the door(s).

The most important factor for controlling the burning rate of the OPEL C is a good seal on the door gaskets. If the door gaskets are worn or damaged to the point where the seal is not adequate as described above, then remove and replace the gasket(s). Replacement kits are available from your RSF dealer.

♦ **NOTE:** An improperly adjusted door(s) seal can have a significant effect on the performance and durability of the fireplace. A poorly adjusted door(s) can result in reduced efficiency, over firing, excessive wood consumption and premature catalyst and fireplace failure.

For Double Doors - Opel2C

The door latch and hinges can be adjusted for proper sealing of the doors. It is normal to push on the handle to close the doors. Add some of the high temperature grease provided to the door latch and hinges at least annually.

To insure a proper seal, you need to adjust the tightness of the doors against the front of the fireplace as follows:

1. To tighten the center area of the doors, turn the Allen key screw clockwise (see Figure 5).
2. To tighten the side area of each door, start by slightly loosening the nuts below the door hinges of the right hand door.
3. Close the door without latching it but make sure the door pawl is engage in the door latch.
4. Adjust the door so that the joint between the two doors is straight and level.
5. Push the right hand door firmly against the facing of the fireplace to insure a good seal while tightening the hinge nuts. Use a screw driver on the bottom of the hinge pin and a wrench to tighten the nut (see Figure 6).

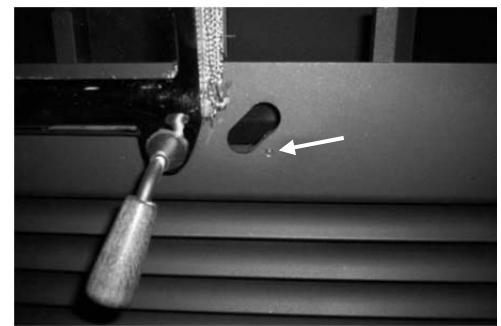


Figure 5 Door Latch Adjustment



Figure 6 Door Hinge Adjustment

6. Continue by loosening the nuts below the door hinges of the left hand door.
7. Adjust the left door so that the top arch and the joint are flush with the right hand door.
8. With the right hand door open, push the door firmly against the facing of the fireplace to insure a good seal while tightening the hinge nuts.
9. Verify the seal with the sheet of paper as described above. You may need to retighten the door latch after adjusting the doors.

For Single Door – OPEL3C

The door hinge can be adjusted for proper sealing of the left side of the door. Since the door latch is progressive, the more you turn the handle the tighter the seal on the right side of the door. Beware not to always over tighten the door latch; this will result in premature failure of the door gasket.

To insure a proper seal, you need to adjust the tightness of the door against the front of the fireplace as follows:

1. To tighten the left side of the door, slightly loosen the screws holding the hinge to the door (see Figure 7).
2. With the door open, push the door towards the facing of the fireplace so as to move the hinge towards the center of the door. This will move the door slightly closer to the facing of the fireplace when it is closed.
3. Continue by retightening all the hinge screws on the door.
4. Verify the alignment of the door with the firebox opening and the latch opening.
5. If necessary, slightly loosen the screws holding the hinge to the fireplace facing (see Figure 8). Move the door with the hinge as desired. Retighten all the hinge screws on the fireplace.
6. Verify the seal with the sheet of paper as described above.

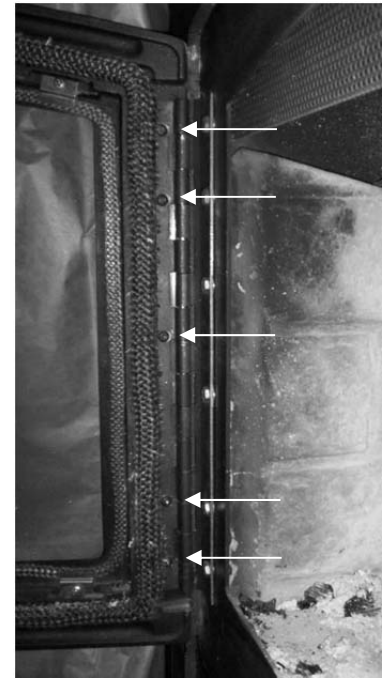


Figure 7 Hinge Adjustment on the Door

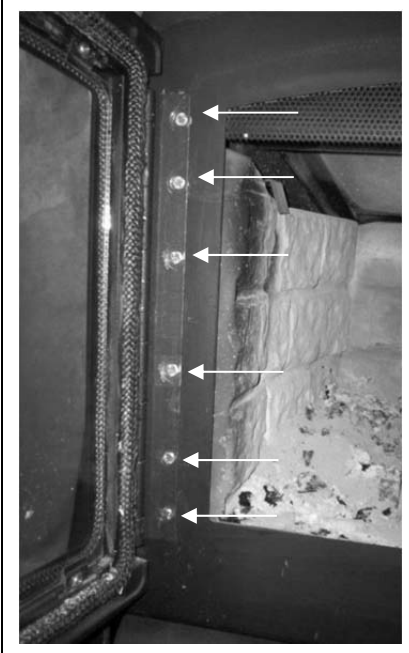


Figure 8 Hinge Adjustment on the Fireplace

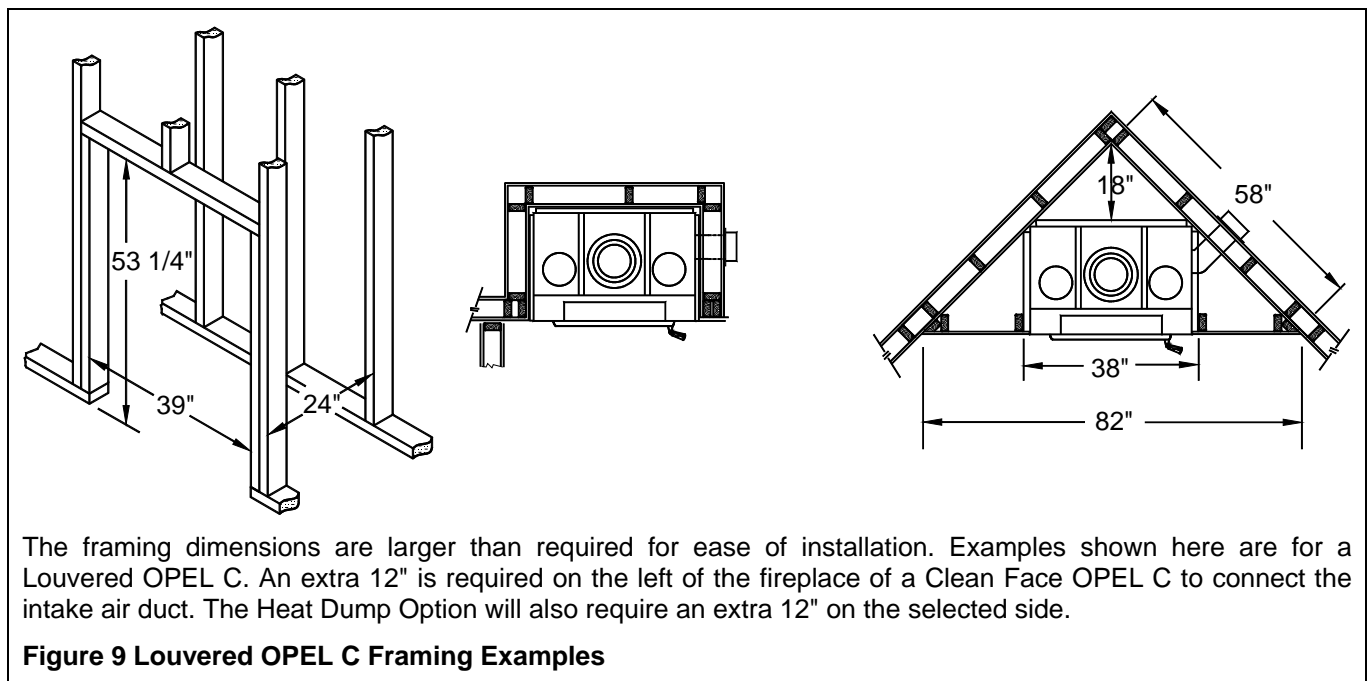
INSTALLATION

Check with your local authority having jurisdiction (such as municipal building department, fire department, fire prevention bureau, etc.) regarding restrictions and installation requirements, and the need to obtain a permit.

Remove the fireplace door. Store them in a safe place until the installation and finishing work is finished. Be aware that heavy duty cleaning products or acid solutions will permanently damage the plating.

LOCATION

Your OPEL C fireplace may be installed in many different ways (see Figure 9) without any special floor reinforcement. We recommend that you take the time to plan your entire installation (fireplace, chimney, and options) before beginning the actual installation (refer to Figure 10 and Figure 11).



The framing dimensions are larger than required for ease of installation. Examples shown here are for a Louvered OPEL C. An extra 12" is required on the left of the fireplace of a Clean Face OPEL C to connect the intake air duct. The Heat Dump Option will also require an extra 12" on the selected side.

Figure 9 Louvered OPEL C Framing Examples

Dimensions of the fireplace along with clearances are shown in Figure 1 and Table 1.

❖ WARNING: IF THIS FIREPLACE IS NOT PROPERLY INSTALLED, A HOUSE FIRE CAN RESULT. FOR YOUR SAFETY, FOLLOW THE INSTALLATION INSTRUCTIONS AND CLEARANCES. DO NOT PACK REQUIRED AIR SPACES WITH INSULATION OR OTHER MATERIALS.

1. Note the location of roof and floor joists. Try to choose a location that does not require cutting them.
2. If at all possible, run the chimney up through the inside of the house. If it must be run outside, it should be enclosed in an insulated enclosure (see Installation: Chase Enclosure). Remember, a cold chimney causes poor draft.

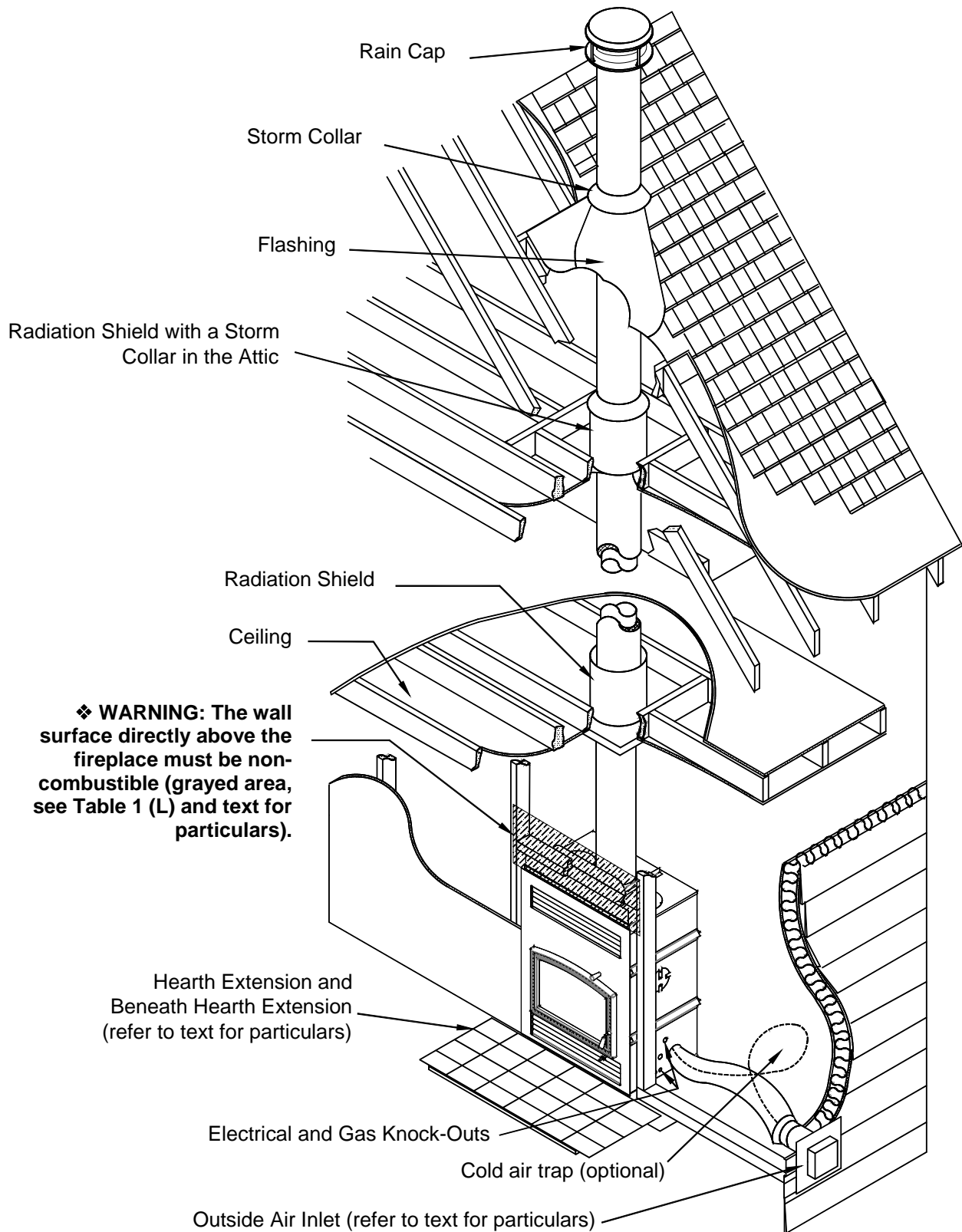


Figure 10 Louvered OPEL C General Installation

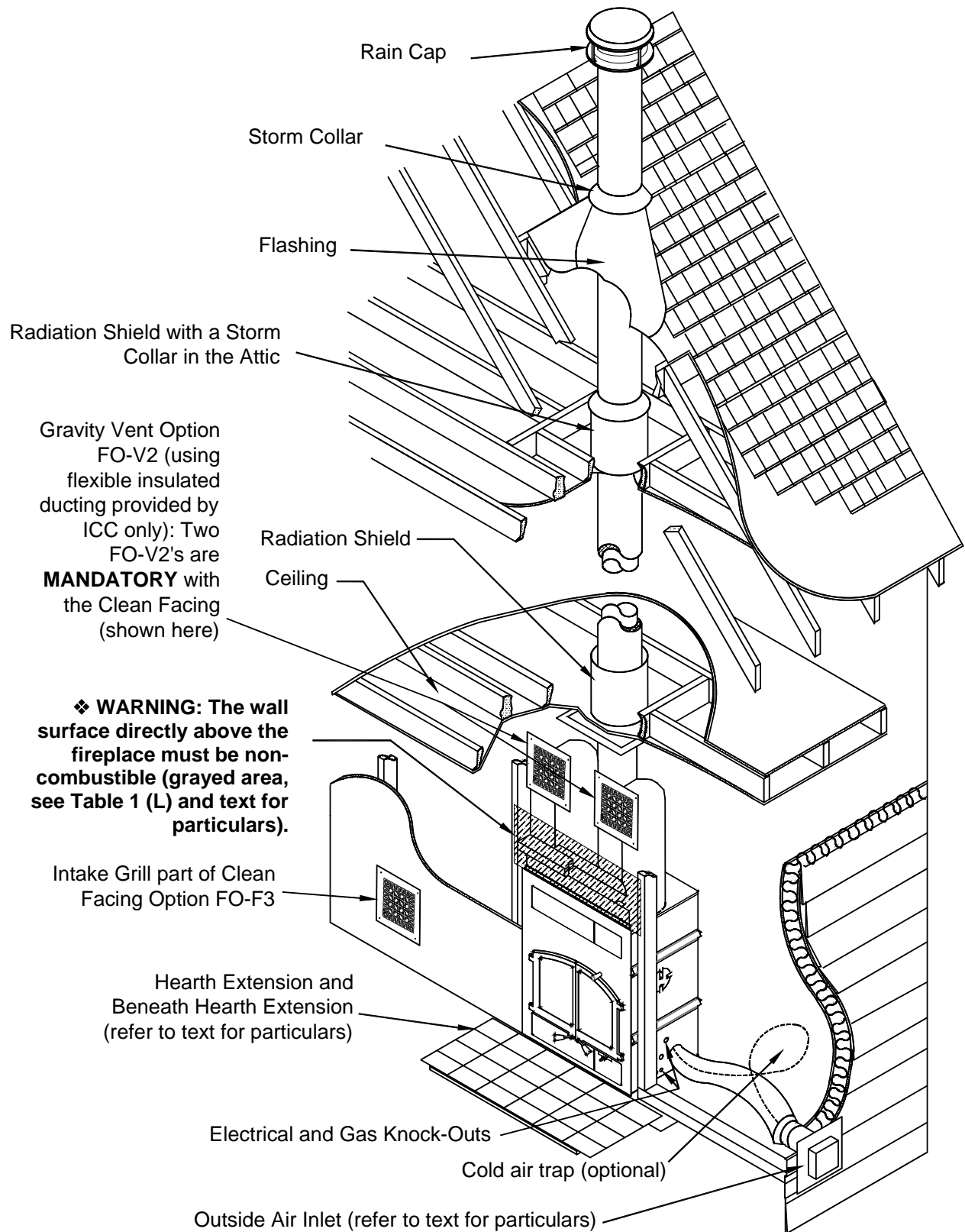


Figure 11 Clean Face OPEL C General Installation

CEILING CLEARANCE

Ceiling clearance is the distance from the base of the fireplace to the ceiling. If you vent the fireplace enclosure, you can then have a lower ceiling clearance as specified in Table 1 (C) for a vented enclosure.

For a vented enclosure, you **MUST** install regular venting 3"x10" grilles or larger into holes cut within 1' of both the floor and the ceiling, to allow room air to circulate through the fireplace enclosure and reduce heat buildup. These venting grilles may be placed vertically or horizontally.

Under no circumstances should the distance between the ceiling firestop and the base fireplace be less than the dimension specified in Table 1 (C).

STANDOFFS INSTALLATION

Before you begin installing you fireplace, you **MUST** install the standoff provided on the top of the fireplace.

The back shield **MUST** be open on the back side as shown at the top of the Figure 12. You can then install the standoff on the fireplace as shown in Figure 12 with the screws provided in the manual bag.

DO NOT fill the gap between the fireplace and the standoff with insulation or any other material; it will be covered with the finishing material.

SECURING THE FIREPLACE IN PLACE

The fireplace **MUST** be attached to the floor.

Using the four small brackets that were securing the fireplace to the crate, attach the casing or base of the fireplace to the floor. Position the brackets all around the fireplace in the same fashion as they were on the crate. If possible, try to have at least one of the brackets screwed into the floor joist with 2" wood screws.

FRAMING

The enclosure walls can be framed with any suitable materials (2x4 or 2x6 studs, plywood, gypsum board, etc.). Because of the high heat output potential of the OPEL C, combustible materials must **NOT** go closer to the fireplace than the standoffs, top, back and sides.

OUTSIDE AIR DUCT

After the fireplace is correctly positioned, connect the outside air inlet to the outside (see Figure 13).

Use an insulated aluminium flexible duct rated at over 200° F. The duct should not exceed 12' vertical rise above the base of the unit.

The air inlet should never be less than 5' below the top of the chimney flue and must never terminate in attic spaces.

A 4" diameter duct can be used if the total duct run is less than 25'. For longer runs, use 5" diameter duct. Both 4" and 5" connecting sleeves are provided with the fireplace.

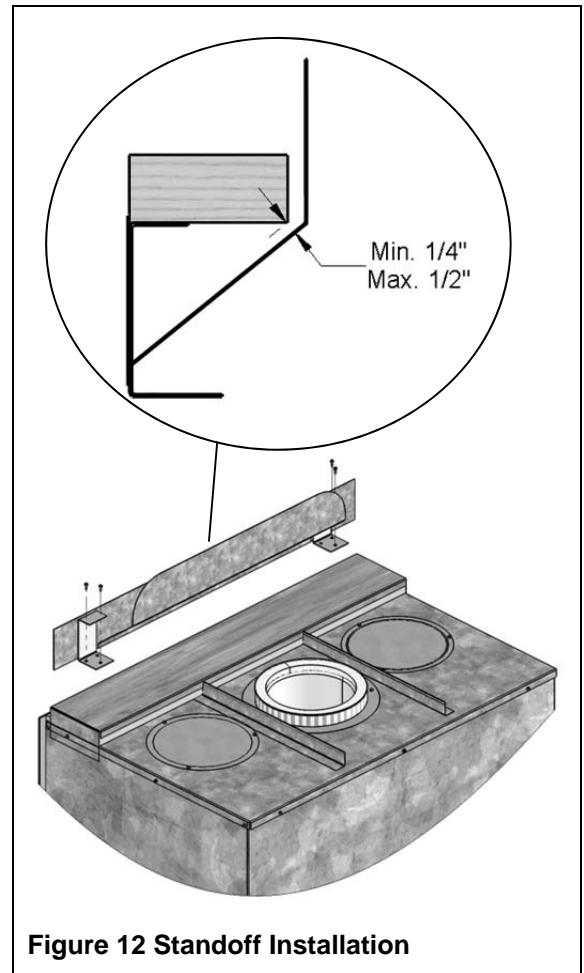


Figure 12 Standoff Installation

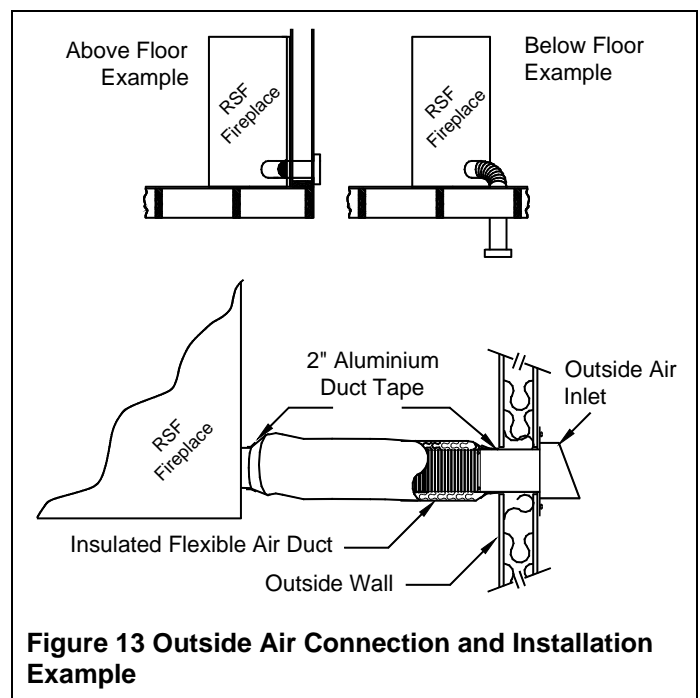


Figure 13 Outside Air Connection and Installation Example

1. Find a convenient location for the combustion air duct and outside air inlet. The outside air inlet can be above or below floor level.
2. Make a 4 ¼" (5 ¼" if using a 5" diameter duct) hole in the outside wall of the house. Push the outside air inlet in from the outside. Seal the joint between the air inlet and the outside wall with an appropriate sealant.
3. Place the insulated flexible duct over the round sleeve on the outside air inlet. At both ends, carefully pull back the insulation and plastic cover, exposing the flexible duct. Then at each end, attach the duct with metal screws to the air inlet and to the fireplace connecting sleeve. Carefully push the insulation and cover back over the duct. Tape the plastic cover in place with 2" aluminium duct tape.

❖ **CAUTION: WHEN RUNNING THE DUCT AROUND CORNERS, BE SURE TO PREVENT CRIMPING THE DUCT THAT WOULD RESTRICT THE COMBUSTION AIRFLOW.**

CHIMNEY

This fireplace is certified for use with 7" ICC Model EXCEL chimney only. Please refer to Table 1 (D-E) for the minimum and maximum chimney height permitted with the OPEL C fireplace.

We recommend that the minimum height be increased by approximately 6" for every 1000' elevation above sea level. Every 15°, 30° or 45° offset (one pair of elbows) also increases the minimum height. See Table 3 for more precise recommended flue heights.

For example, if you are living 6015' above sea level, your chimney should terminate at least 15' from the top of the fireplace if it is a straight chimney or at least 18'6" if one 30° offset is used as shown in Table 3.

Table 3 Minimum Recommended Flue Height

Elevation (ft)	Number Of Offset						
	Straight Chimney	1 x 15°	2 x 15°	1 x 30°	2 x 30°	1 x 45°	2 x 45°
0 - 1000	Minimum 12'	13'	14'	15'	18'	16'	20'
1001 - 2000	12'6"	13'6"	14'6"	15'6"	19'	16'6"	20'
2001 - 3000	13'	14'	15'	16'	19'6"	17'	21'6"
3001 - 4000	13'6"	14'6"	15'6"	17'	20'	18'	22'6"
4001 - 5000	14'	15'	16'	17'6"	21'	18'6"	23'
5001 - 6000	14'6"	15'6"	17'	18'	21'6"	19'	24'
6001 - 7000	15'	16'	17'6"	18'6"	22'	20'	24'6"
7001 - 8000	15'6"	16'6"	18'	19'	23'	20'6"	25'6"
8001 - 9000	16'	17'	18'6"	20'	24'	21'	26'6"
9001 - 10000	16'6"	17'6"	19'	20'6"	24'6"	22'	27'

Flue height is measured from the top of the fireplace to the top of the chimney before installing the rain cap.

If you have two different offsets (two pairs of different elbows), simply use the column for two offsets of the biggest pair of elbows at your elevation to get your Minimum Flue Height.

CHIMNEY INSTALLATION

Make sure to read the EXCEL Chimney installation manual concerning requirements for supports, bracing, anchors, etc. The EXCEL Chimney manual is available at you RSF dealer or on our web site: www.icc-rsf.com. Refer to Table 1 (F) for the maximum chimney height that can be supported by the top of the fireplace.

❖ **WARNING: THE CLEARANCE BETWEEN THE CHIMNEY AND COMBUSTIBLE MATERIAL MUST BE 2" OR MORE. DO NOT FILL THIS AREA WITH INSULATION.**

1. Cut and frame the required holes in the floor(s), ceiling(s) and roof where the chimney will pass through. The rough opening in the framing is 13" square (the opening can be slightly bigger, up to 13 ½", but NEVER smaller).

- From below, install a radiation shield in each floor through which the chimney passes. At the attic level, install a radiation shield and a storm collar as shown in Figure 14.

❖ **WARNING: A RADIATION SHIELD MUST BE INSTALLED AT EACH FLOOR WHERE THE CHIMNEY PASSES THROUGH.**

- Remove the flue adapter from the fireplace, put the screws aside. Install the flue adapter on the first chimney length and secure it with the screws provided. Reinstall the flue adapter on the fireplace and secure it with the screws you have put aside earlier. Assemble the rest of the chimney.

The chimney must extend at least 3' above its point of contact with the roof and at least 2' higher than any wall, roof, or building within 10' of it. If the chimney is higher than 5' above the roof, it must be secured using a roof brace.

- Put the roof flashing into place. Seal the joint between the roof and the flashing with roofing tar. For sloping roofs, place the flashing under the upper shingles and on top of the lower shingles. Nail the flashing to the roof using roofing nails.

If the chimney is enclosed to the roof:

- In **USA**: use a vented flashing;
- In **Canada**: use a vented flashing, or a roof radiation shield with a regular flashing.

In the case of the regular flashing with a roof radiation shield, the roof radiation shield must be installed so it extends 1" above the roof line.

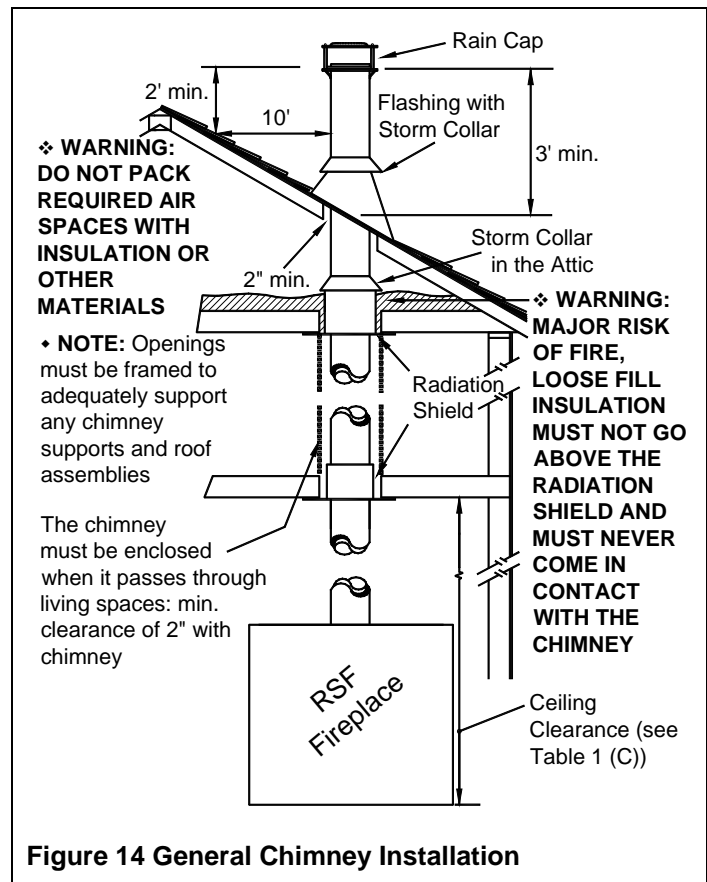


Figure 14 General Chimney Installation

- Place the storm collar over the chimney and flashing. Seal it around the chimney with silicone sealer (**DO NOT use roofing tar**).

If a vented flashing is used, the bottom of the storm collar should be aligned with the bottom of the openings in the flashing as shown in Figure 15.

- Fit the rain cap on the chimney. Secure it tightly in place.

OFFSET CHIMNEY

An elbow may be installed directly on top of the fireplace if required. See the detailed offset charts in the EXCEL chimney installation manual. Use the offset option if you need to clear a joist or pass around a cupboard. See Figure 16 and Figure 17 for examples.

- Maximum offset angle:
 - In **USA**: 30°;
 - In **Canada**: 45°.
- Maximum number of elbows: four, resulting in two offsets and returns.

Install the fireplace and chimney as described earlier. When you require an elbow, proceed as follows:

- Install the required elbow. Turn it in the desired direction, and fasten it to the other section with 3 metal screws at the joints.
- Install enough lengths to obtain the desired offset. Secure each joint with 3 metal screws.

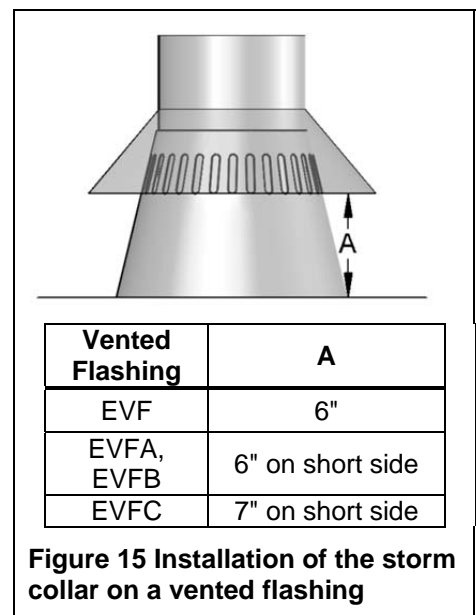
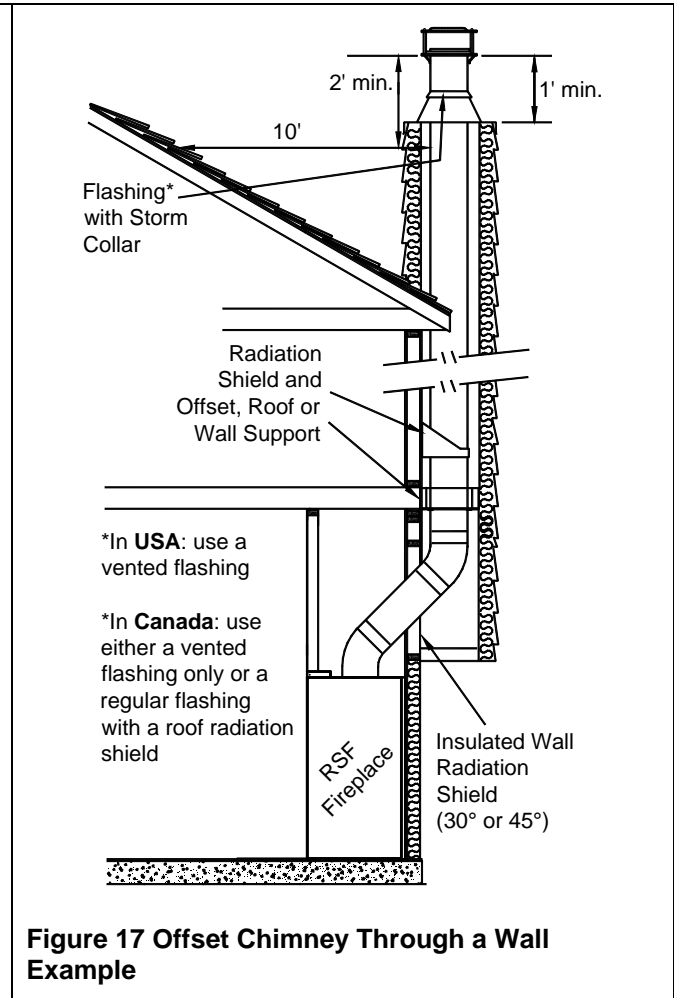
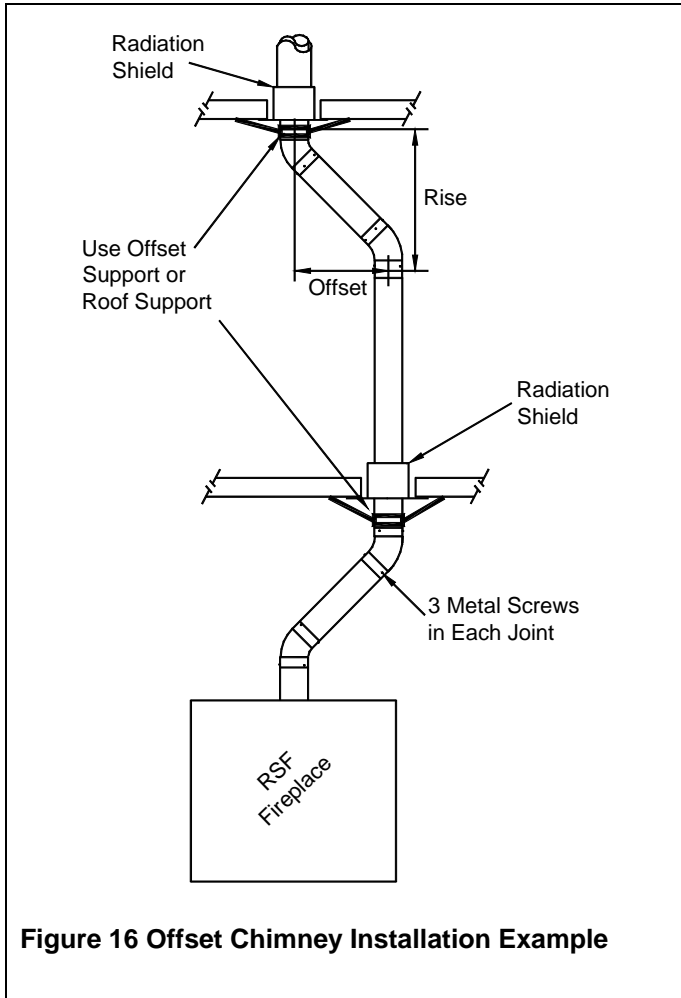


Figure 15 Installation of the storm collar on a vented flashing

3. Use another elbow to return the chimney to the vertical direction.
4. Install a roof support, a wall support, or an offset support above each offset to support the weight of the chimney (elbows are not designed to support the chimney above an offset).



Through the Wall Offset

You can also go through the wall at an angle starting directly at the fireplace as depicted in Figure 17. An angled wall insulated radiation shield (XM-7EWRSI30 or XM-7EWRSI45) must be used wherever the chimney passed through an exterior wall. Make sure you have enough ceiling height. If not, you might want to consider installing the fireplace in an outside chase.

If the chimney is enclosed once outside of the house, do not install the outside plate of the angled wall insulated radiation shield.

Refer to the angled wall insulated radiation shield installation sheets for more detailed installations instructions.

CHASE ENCLOSURE

If the chimney runs up the outside of the house, we recommend that it be enclosed in a chase structure. The chase should be constructed in such a way that it is an extension of the home (see Figure 18). It should be well insulated between the footings and the floor of the home to prevent heat loss. If the climate in your area is mild, insulate the chase at least to the first firestop. If the climate in your area is very cold, insulate the chase to the top to keep the chimney warmer, increase the draft, and reduce creosote buildup. We also recommend to insulate the ceiling of the chase just as if it were in the attic space. This will prevent cold air from dropping down through the chase and into the room where the fireplace is installed (see Figure 18).

Some local codes require that the walls be insulated, vapor sealed and sheathed with a fire rated gypsum board (see Figure 18). We strongly recommend this procedure for all installations to prevent cold drafts from originating

in the fireplace enclosure. If you follow this procedure, we recommend that you do not insulate the wall above the front of the fireplace.

♦ **REMEMBER:** Check local codes concerning installation requirements and restrictions in your area.

MASONRY CHIMNEY

Installing your OPEL C fireplace with a masonry chimney still requires using EXCEL chimney from the top of the fireplace to the wall where it will connect to a listed liner that will run up inside the masonry chimney (see Figure 19).

The stainless steel liner should be fitted inside the clay liner all the way to the top of the masonry chimney. It is not meant to replace the clay liner. You can use either the EXCEL liner or any other listed liner to ULC-S635, ULC-S640 or UL-1777.

Special care is to be taken to make sure that you have a good solid connection between the EXCEL chimney and the liner. A masonry adaptor (FO-FDM7) was designed specifically for that purpose and is available from your RSF dealer. It will attach to the liner with 3 stainless steel rivets (provided) and to the EXCEL chimney with 3 screws (provided).

After mortaring in place, the connection between the EXCEL chimney and the liner should not be visible in order to isolate the heat released through the liner from the fireplace enclosure.

As depicted in Figure 19, you must install at least one 18" length of EXCEL chimney after the EXCEL chimney elbow. The uppermost part of the EXCEL chimney - where it enters the masonry chimney - must be a minimum of 12" from the ceiling.

♦ **NOTE:** If the ceiling is high enough, you can install one or more EXCEL chimney lengths directly on the fireplace before the elbow.

If you use a flexible liner, make sure to be careful when cleaning to ensure that the stainless steel flexible liner is not dislodged in any way.

Using an Existing Masonry Chimney

❖ **WARNING: IF YOU ARE CONSIDERING USING AN EXISTING CHIMNEY, IT MUST FIRST BE THOROUGHLY INSPECTED BY AN AUTHORITY HAVING JURISDICTION TO DETERMINE THE FOLLOWING:**

1. The masonry chimney is well constructed and fully lined, in accordance with Local Building Codes and the National Building Code of Canada (NBC) or National Fire Protection Association chimney standard (NFPA 211).
2. It has been thoroughly cleaned of any soot or creosote residue and

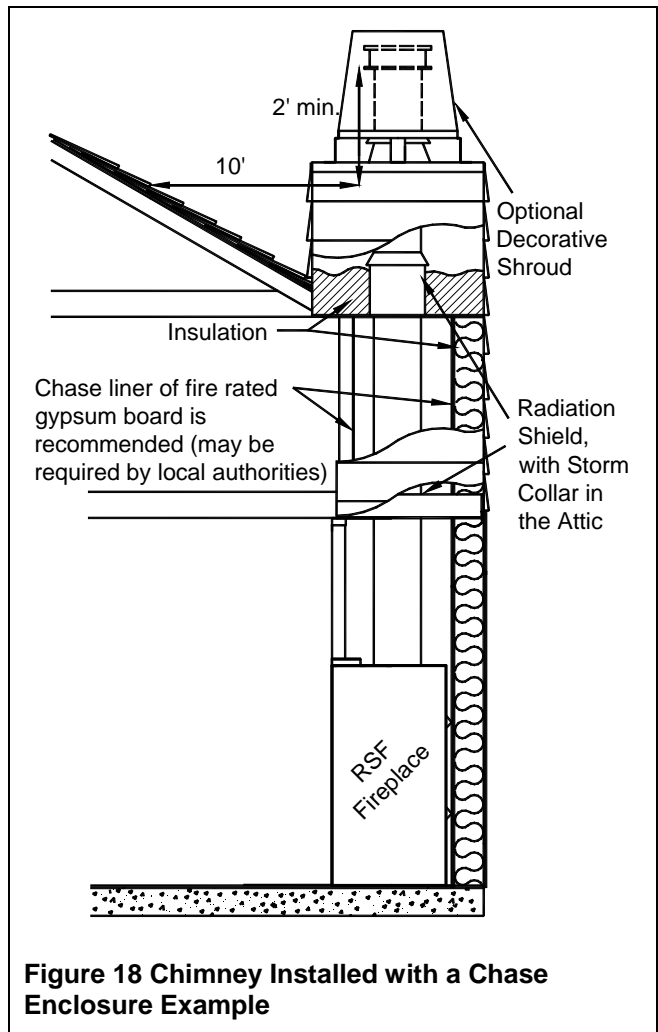


Figure 18 Chimney Installed with a Chase Enclosure Example

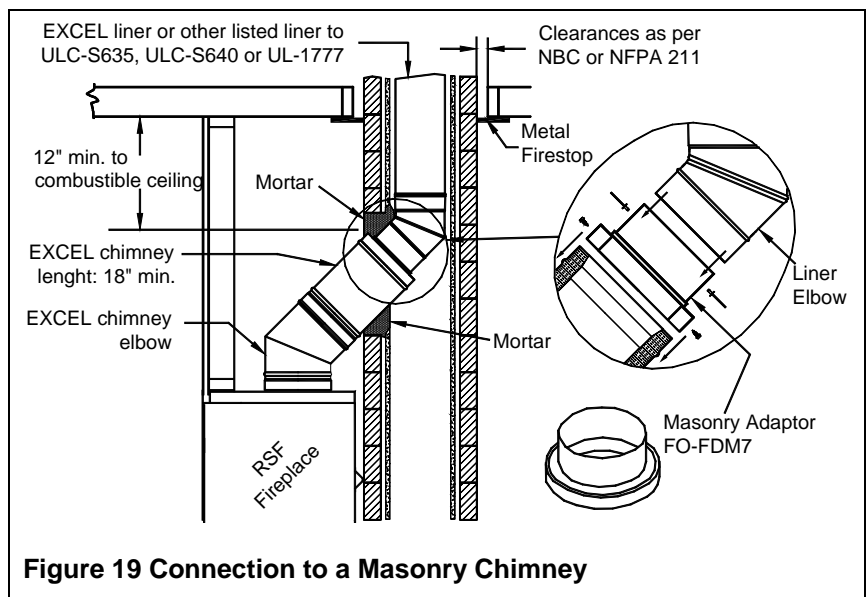


Figure 19 Connection to a Masonry Chimney

inspected to determine that it is in good working condition.

3. There is no insulation of any type in contact with the masonry chimney and there is no insulation stuffed anywhere in the chimney.
4. All the necessary clearances around the masonry chimney, along the complete run of the chimney, are respected as per NBC or NFPA 211. If the masonry chimney is enclosed in drywall, openings will probably be required in order to verify clearances at all points.
5. The masonry chimney will only be used for the fireplace and no other appliance.

If major repairs are required to meet the above conditions, a new chimney should be constructed.

To make the hole through the masonry chimney and make the connection to the fireplace, we recommend that you follow these steps:

1. Sight-in and mark the outline of where the EXCEL chimney will penetrate the masonry chimney.
2. Using a large ($\frac{3}{4}$ " - 2") masonry drill bit, drill a hole exactly in the center of the oval outline. With a masonry hammer and drill, slowly enlarge the hole to the size required. Remember to work from the center out. Be especially careful with the clay liner behind the brick because three sides of it must stay in place.
3. Bring the stainless steel liner down from the top of the chimney.

If you are using a rigid liner you will need enough room to secure an elbow to it with at least two screws.

If it is difficult to install rigid stainless steel liner in the existing masonry chimney or for a masonry chimney with less than 10"x10" inside, a listed stainless steel flexible liner can be used along with a flexible/rigid adaptor (LM-7LAF) available from your RSF dealer.

4. Install the liner elbow and masonry adaptor on the lower end of the liner.
5. Move the fireplace forward enough to install the EXCEL chimney on the fireplace (elbow and length) then move the fireplace back into position as you connect the masonry adaptor to the EXCEL chimney.

Using a New Masonry chimney

Since the masonry chimney is not build yet, we recommend that you position your fireplace, install the EXCEL chimney on it and connect to the first length of liner before building the chimney as explained above and shown in Figure 19 . The liner sections can easily be installed as the layers of brick are being placed. Since this is a new chimney, we recommend that you build it to the right size so you do not have to ovalize the liner but if you choose to use a 6"x10" clay liner you will need to ovalize the stainless steel liner to fit into the clay liner.

◆ **Remember:** The stainless steel liner should be fitted inside the clay liner all the way to the top of the masonry chimney. It is not meant to replace the clay liner.

FINISHING AROUND THE FIREPLACE

Finishing materials that cover the facing of the fireplace MUST BE NON-COMBUSTIBLE (e.g. brick, slate, ceramic tile, etc.). Drywall cannot get closer to the fireplace than the side standoffs and the top clearance specified in Table 1 (L) and shown in Figure 10 and Figure 11.

❖ **WARNING: MAKE SURE TO RESPECT THE TOP CLEARANCE SPECIFIED IN TABLE 1 (L).**

HEARTH EXTENSION

The area immediately in front of the fireplace must be protected by a non-combustible material such as brick, tile, stone, or slate. Refer to Table 1 (G-H) for the depth and width that the hearth protection should extend beyond the front and both sides of the door opening (see Figure 1). There is no minimum thickness required for the hearth extension.

BENEATH HEARTH EXTENSION

If the OPEL C is installed on a non-combustible floor, the spark guard specified below is not required.

Install the spark guard provided (5" x 36" piece of sheet metal) halfway under the fireplace and halfway under the hearth extension and centered on the door opening. The spark guard will extend 2½" beneath the fireplace. This

will make certain that sparks cannot lodge in this area and start a fire. If necessary, the provided spark guard can be cut to the minimum width specified in Table 1 (I).

If you are preparing a raised installation, you will need a custom made spark guard, either a "Z" shaped spark guard or a right angle spark guard (see Figure 20). The Z-shaped spark guard must be used if the height between the bottom of the fireplace and the top of the non-combustible flooring of the hearth extension is less than or equal to 2 ½". The height of the Z-shaped spark guard must equal the distance between the floor and the base of the unit and go under the hearth extension and the fireplace by at least 2 ½". If the unit is installed higher than 2 ½" from the top of the flooring, a right angle spark guard is necessary. The sides of the right angle spark guard should be at least 2 ½" x 2 ½" and must be covered with non-combustible material. Any custom made spark guard must have the minimum width specified in Table 1 (I), and be installed centered on the door opening.

◆ **NOTE:** Custom-made spark guards are not supplied.

MANTEL

Masonry and other non-combustible mantels (shelf and posts) can be placed anywhere on and around the fireplace facing, without blocking any of the bottom and top louvers unless you install the appropriate options (see the "Mandatory Options with the Clean Face" section).

For combustible mantel shelves, please see Table 1 (J-K) for the maximum depth and its installation clearance requirements. See Figure 1 for an example.

Vertical mantel posts on the sides of the fireplace opening must be non-combustible. Combustible mantel posts are not permitted unless they meet the clearance required to a perpendicular sidewall (see Table 1 (B)).

The only combustible material accepted below the minimum clearance for combustible materials above the fireplace (see Table 1 (L)) is for a mantel shelf.

MANDATORY OPTIONS WITH THE CLEAN FACE

When installing a Clean Face (FO-F3) on your OPEL C, you **MUST** install the intake duct (part of FO-F3) to provide sufficient air to the unit along with two Gravity Vent Kits (FO-V2, sold separately) to provide an evacuation path for the heat. Neglecting to install either one of these will result in overheating of the unit and may put your safety at risk. Refer to each option's installation instructions for particular details.

Use only genuine RSF parts. The use of any substitutes will decertify the system and may put your safety at risk.

REFRACTORY BRICK INSTALLATION

Before lighting your first fire, you must make sure the refractory bricks are properly installed inside the firebox. This is easily accomplished with the following instructions. To remove any of the refractory bricks, just follow the installation procedure in the reverse sequence. Refer to Figure 21 to adequately identify which refractory brick is the left and which is the right at each step of the installation.

1. First, install both back refractory bricks (1) and (2).
2. Continue by installing both side rear refractory

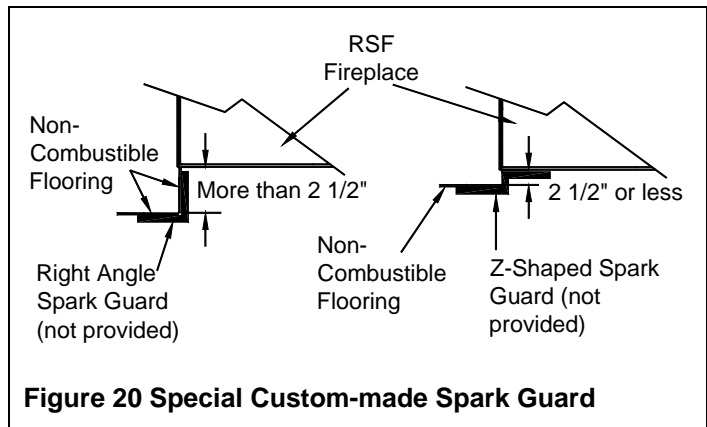


Figure 20 Special Custom-made Spark Guard

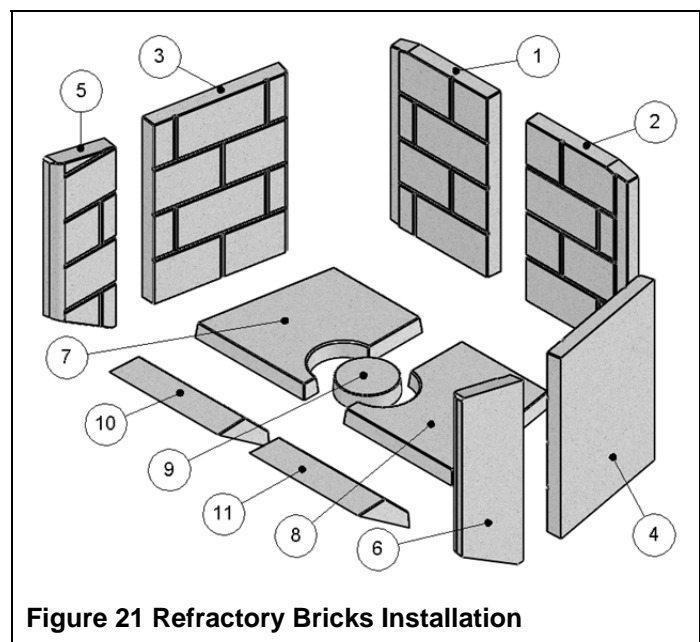


Figure 21 Refractory Bricks Installation

bricks (3) and (4). Just insert the top corner of each refractory brick behind the bracket and slide it against the back refractory bricks.

3. Next install the front side refractory bricks (5) and (6) with the finished side towards the front of the unit.
4. Then install both left and right bottom refractory bricks (7) and (8) before installing the bottom central refractory brick (9).
5. Finish by installing both front refractory bricks (10) and (11).

These refractory have been designed specifically for the OPEL C and no modifications are required to ensure a proper fit.

GAS LOG INSTALLATION

The OPEL C can be converted into a gas fireplace as long as you keep the combustion air control lever all the way open (towards the right) and keep the bypass open at all times, and make the modifications to the fireplace as explained below. This is to allow enough air for an adequate and safe operation of the gas log. You can use any gas log set up to a maximum of 35,000 BTU that is listed to ANSI Z21.60/CSA 2.26.

❖ WARNING: THIS FIREPLACE HAS NOT BEEN TESTED WITH AN UNVENTED GAS LOG SET. TO REDUCE RISK OF FIRE OR INJURY, DO NOT INSTALL AN UNVENTED GAS LOG SET INTO THIS FIREPLACE.

Remember that the installation of the gas line should be done by qualified personnel. All gas installations should be in accordance with local ordinances and the appropriate Gas Code.

We do not require any minimum clearances between the side or the top of the firebox and the gas log set. However, any clearances stated by the gas log set manufacturer must be maintained. You may install the gas valve inside the firebox if the gas log set manufacturer allows this in its installation instructions, and if the required clearances are met.


To convert the OPEL C please carefully follow the following steps:

6. There is a 1 ½" hole on both sides of the fireplace, about 9" up from the bottom of the fireplace. The gas line must come into the fireplace through one of these holes. Choose the side of installation that is more convenient to you.
7. There are a few parts that you need to remove from the OPEL C to be able to accommodate a gas firelog. Make sure to store them for safekeeping, you will need to reinstall them all if you ever intend to burn wood again in your OPEL C:
 - Remove the round central refractory brick.
 - Remove the two bottom refractory brick from the firebox.
 - Open the bottom louver and remove the nut and bolt on the central plug of the firebox. The nut is a locknut so you will need to hold it tightly to unscrew the bolt. Remove the top and bottom plates, the nut and the bolt.
8. Remove the side firebrick on the side that you have decided to bring the gas into the fireplace, you will need to drill a hole from the outer side of the fireplace through the side of the firebox.
9. Then you will need to drill or break a hole through the side firebrick to allow the gas line through once you put the firebrick back in place.
10. Make sure to leave the ash pan hole completely open, this will bring air to the gas log.
11. Proceed with the installation of the gas log as per the gas log manufacturer installation instructions. Make sure to carefully read and follow the gas log installation instructions. Make sure also to respect all clearances stated by the gas log manufacturer.

❖ WARNING: THE MAXIMUM GAS OUTPUT ALLOWED IN THE OPEL C IS 35,000 BTU. THE GAS LOG HAS TO BE LISTED TO ANSI Z21.60/CSA 2.26. THE COMBUSTION AIR CONTROL MUST BE FULLY OPEN WHEN THE GAS LOG IS FUNCTIONING.

When operating an OPEL C with a gas log installed, make sure to follow the gas log manufacturer operating instructions.

LISTING LABEL



LISTED FACTORY BUILT FIREPLACE
MODEL: OPEL2C, OPEL3C, OPEL4C
 CONFORMS TO UL STD 127
 CERTIFIED TO UL STD S610 & UL STD S627
 EPA 2015 CERTIFIED AT 2.5 G/H

DO NOT REMOVE THIS LABEL / NE PAS ENLEVER CETTE ÉTIQUETTE

MOYEN PRÉFABRIQUÉ HOMOLOGUÉ
MODÈLE: OPEL2C, OPEL3C, OPEL4C
 CONFORME À UL STD 127
 CERTIFIÉ À UL STD S610 & UL STD S627
 CERTIFIÉ EPA 2015 À 2,5 G/H

INSTALL AND USE ONLY IN ACCORDANCE WITH THE MANUFACTURER'S INSTALLATION AND OPERATING INSTRUCTIONS. **DO NOT OBSTRUCT COMBUSTION AIR INLET.** A FIREPLACE INSTALLED WITHOUT OUTSIDE PROVISION AIR COULD STARVE OTHER FUEL BURNING APPLIANCES OF COMBUSTION, VENTILATION AND DILUTION AIR AS A RESULT OF FIREPLACE OPERATION. DO NOT USE A FIREPLACE INSERT OR OTHER PRODUCTS NOT SPECIFIED FOR USE IN THIS PRODUCT. OPERATE WITH DOOR(S) FULLY CLOSED OR FULLY OPEN (WITH OPTIONAL FRESHSCREEN). OPEN BYPASS BEFORE OPENING THE DOOR(S).

INSTALLER ET UTILISER SELON LES INSTRUCTIONS D'INSTALLATION ET DE FONCTIONNEMENT DU MANUFACTURIER. **NE PAS OBSTRUER L'ENTRÉE D'AIR COMBURANT.** D'AUTRES APPARELS DE CHAUFFAGE À COMBUSTIBLE RISQUERAIENT DE MANQUER D'AIR DE COMBUSTION, DE VENTILATION ET DE DILUTION SI LE Foyer FONCTIONNE SANS ENTRÉE D'AIR EXTERIEUR, NE PAS UTILISER D'ENCASTRABLE OU AUTRES PRODUITS NON SPÉCIFIÉS POUR UTILISATION AVEC CE PRODUIT. FAIRE FONCTIONNER LE Foyer AVEC LA (LES) PORTE(S) COMPLÈTEMENT FERMÉE(S) OU COMPLÈTEMENT OUVERTE(S) (AVEC LE PARE-ÉTINCELLES OPTIONNEL), OUVRIER LE RÉGISTRÉ DE DÉRIVATION AVANT D'OUVRIR LA (LES) PORTE(S).

MINIMUM CLEARANCES TO COMBUSTIBLE MATERIALS

SIDEWALL	15 3/4 IN. / 400 MM FROM DOOR OPENING
HEIGHT OF MANTEL SHELF - 12 IN. (305 MM) DEEP	36 1/2 IN. / 927 MM FROM DOOR OPENING
UNIT TOP, BACK, SIDES AND BOTTOM	0 IN. / 0 MM TO SPACERS

DÉGAGEMENTS MINIMUMS AUX MATIÈRES COMBUSTIBLES

MUR DE CÔTÉ	15 3/4 PO. / 400 MM DE L'OUVERTURE DE LA PORTE
*HAUTEUR DE LA TABLETTE - 12 PO. (305 MM) DE PROFOND	36 1/2 PO. / 927 MM DE L'OUVERTURE DE LA PORTE
DESSUS, ARRIÈRE, CÔTÉS ET BASE DE L'APPAREIL	0 PO. / 0 MM DES CALES

* SEE INSTALLATION INSTRUCTIONS FOR OTHER MANTEL HEIGHTS VS DEPTHS. COMBUSTIBLE MATERIALS ARE NOT PERMITTED ON FACE OF UNIT. COMBUSTIBLE FLOOR MUST BE PROTECTED AS SPECIFIED IN THE INSTALLATION INSTRUCTION MANUAL. COMPONENTS REQUIRED FOR INSTALLATION: CHOICE OF DOOR, TUYAU FLEXIBLE DE 4" OU 5" (102 OU 130 MM) DIAMÈTRE FLEXIBLE DUCT AND COMBUSTION AIR INLET ASSEMBLY. USE THE ICC MODEL 7 IN. (190 MM) EXCEL CHIMNEY AND LISTED COMPONENTS AS PER INSTALLATION INSTRUCTIONS. TWO GRAVITY VENT SYSTEMS ARE MANDATORY WITH THE OPTIONAL CLEAN FACING. ONE AIR AMBIENT INLET IS MANDATORY WITH THE OPTIONAL CLEAN FACING. REFER TO MANUFACTURER'S INSTALLATION AND OPERATING INSTRUCTIONS FOR OPTIONAL COMPONENTS SUCH AS FANS, GRAVITY VENT SYSTEM, MASONRY CHIMNEY ADAPTER, ETC. REPLACE GLASS ONLY WITH 5MM CERAMIC GLASS. OPERATE ONLY WITH FIREBRICK IN PLACE. FOR USE WITH SOLID WOOD FUEL ONLY. DO NOT OVERFIRE UNIT. WARNING: THIS FIREPLACE HAS NOT BEEN TESTED WITH AN UNVENTED GAS LOG SET. TO REDUCE RISK OF FIRE OR INJURY, DO NOT INSTALL AN UNVENTED GAS LOG SET INTO THE FIREPLACE. THIS WOOD HEATER CONTAINS A CATALYTIC COMBUSTOR, WHICH NEEDS INSPECTION AND REPLACEMENT FOR PROPER OPERATION. CONSULT THE OWNER'S MANUAL FOR FURTHER INFORMATION. IT IS AGAINST FEDERAL REGULATIONS TO OPERATE THIS WOOD HEATER IN A MANNER INCONSISTENT WITH THE OPERATING INSTRUCTIONS IN THE OWNER'S MANUAL, OR IF THE CATALYTIC ELEMENT IS DEACTIVATED OR REMOVED.

* VOIR LE LIVRET D'INSTALLATION POUR AUTRES HAUTEURS VS PROFONDEURS DE LA TABLETTE. LES MATÉRIEAUX COMBUSTIBLES NE SONT PAS PERMIS SUR LA FAÇADE DE L'APPAREIL. UN PLANCHER COMBUSTIBLE DOIT ÊTRE PROTÉGÉ SUivant LES SPÉCIFICATIONS DU LIVRET D'INSTRUCTIONS. PIÈCES REQUISES POUR L'INSTALLATION: PORTE AU CHOIX, TUYAU FLEXIBLE DE 4" OU 5" (102 OU 130 MM) DE DIAMÈTRE ET PRISE D'ENTRÉE D'AIR. UTILISER UNE CHEMINÉE EXCEL 7" (190 MM) DE DIAMÈTRE DE ICC SELON LES INSTRUCTIONS D'INSTALLATION. DEUX SYSTÈMES D'ENTRÉE D'AIR AMBIANT EST OBLIGATOIRE AVEC L'OPTION DE LA FAÇADE NEUTRE. UN SYSTÈME D'ENTRÉE D'AIR AMBIANT EST OBLIGATOIRE POUR LES COMPOSANTS OPTIONNELS TEL QUE DES VENTILATEURS, SYSTÈME D'ÉVENT PAR GRAVITÉ, ADAPTEUR DE CHEMINÉE DE MAÇONNERIE, ETC. LE REMPLACEMENT D'UNE VITRE DOIT SE FAIRE AVEC UNE VITRE CÉRAMIQUE DE 5 MM D'ÉPAISSEUR SEULEMENT. OPÉRER UNIQUEMENT AVEC LES PIERRES RÉFRACTAIRES EN PLACE. POUR UTILISATION AVEC DU BOIS SEULEMENT. NE PAS SURCHAUFFER L'APPAREIL. CET APPAREIL AU BOIS CONTIENT UN CATALYSEUR QUI A BESOIN D'ÊTRE INSPECTÉ ET REMPLACÉ RÉGULIÈREMENT POUR FONCTIONNER CORRECTEMENT. RÉFÉREZ-VOUS AU MANUEL DU PROPRIÉTAIRE POUR PLUS D'INFORMATION. IL EST INTERDIT PAR LES LOIS FÉDÉRALES D'OPÉRER CET APPAREIL AU BOIS SANS RESPECTER LES CONSIGNES D'OPÉRATION DU MANUEL DU PROPRIÉTAIRE OU SI LE CATALYSEUR EST DÉSACTIVÉ OU ENLEVÉ.

U.S. ENVIRONMENTAL PROTECTION AGENCY CERTIFIED TO COMPLY WITH 2015 PARTICULATE EMISSION STANDARDS. NOT APPROVED FOR SALE AFTER MAY 15, 2020 IN THE U.S.

MADE IN CANADA

CERTIFIÉ CONFORME AUX NORMES 2015 D'ÉMISSIONS DE PARTICULE PAR EPA (É.U.). NON APPROUVÉ POUR LA VENTE AUX ÉTATS-UNIS APRÈS LE 15 MAI 2020.

FABRIQUÉ AU CANADA

DATE MANUFACTURED / DATE DE FABRICATION

MANUFACTURED BY / FAIT PAR ICC, 400 J-F KENNEDY ST-JEROME, QUEBEC, CANADA, J7Y 4B7

930215

COMPLETE OPTIONS LIST

		Electricity Required
FO-A	Andirons	
FO-AP	Ash Pan Kit	
FO-BRE	Bypass Rod Extension	
FO-D	Gravity Vent Damper	
FO-DTD	Digital Temperature Display	
FO-DUCT5	Insulated Duct 5 feet	
FO-F3	Clean Face Kit	
FO-FDGRK2	Gasket Replacement Kit – Opel2C	
FO-GRK4	Gasket Replacement Kit – Opel3C and Opel4C	
FO-FDHB5-N	Blower - Internal	✓
FO-FDHB6-1	Blower - Central Heat (not EPA certified)	✓
FO-FDHC4	Thermostat Kit	✓
FO-FDHC6	Central Heat Control	✓
FO-FDHC6-1	Back Draft Damper	
FO-FDHCZ1	Zone Heat Control	✓
FO-FDHCZ2	Zone Damper Kit	✓
FO-FDM7	Masonry Chimney Adapter 7"	
FO-HD	Heat Dump Kit	✓
FO-INT	Outside Air Kit 4" diameter	
FO-KP3	Rock Retainer Kit for partial, full coverage or Clean Face	
FO-OPLB	Opel Louver Kit – Black	
FO-OPLC	Opel Louver Kit – Decorative Black	
FO-PDTB	Opel3 – Decorative Trim – Black	
FO-PDTG	Opel3 – Decorative Trim – Gold	
FO-PDTP	Opel3 – Decorative Trim – Pewter	
FO-T	Central Heat T Option	
FO-V2	Gravity Vent Kit	
FO-VGC	Contemporary Vent Grill	

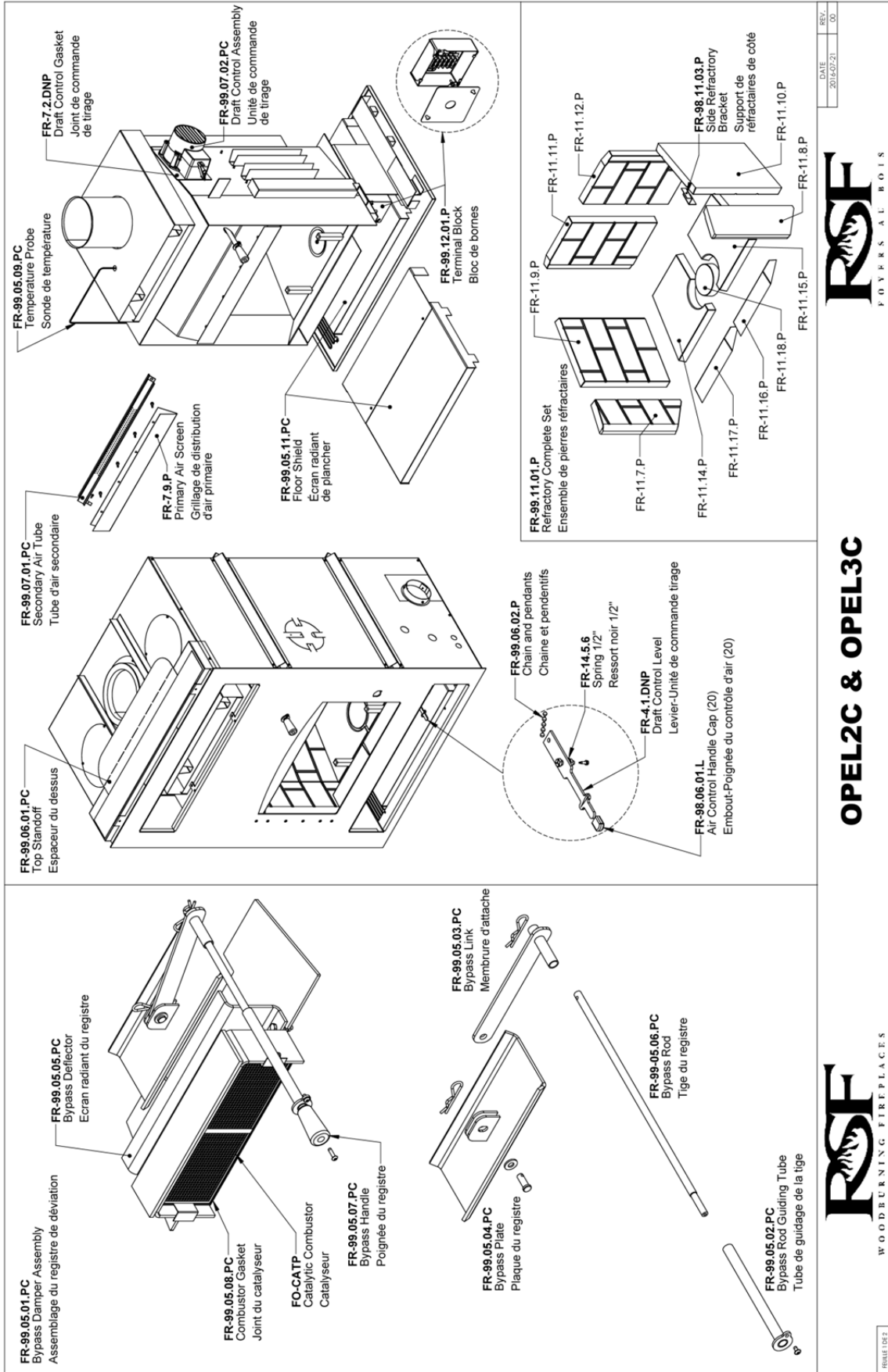
CONFIGURED OPTIONS LIST

Clean Face OPEL C	Required	Optional	Not available
Clean Face Option	FO-F3		
Gravity Vent Kit	FO-V2 (2)		
Blower – Central Heat (not EPA certified)		FO-FDHB6-1*	
Thermostat kit (must be installed before facing and must be accessible for servicing)		FO-FDHC4	
Heat Dump Kit		FO-HD	
Rock Retainer Kit for partial, full coverage or Clean Face		FO-KP3	
Central Heat T Option		FO-T	
Ash Pan Kit			FO-AP
Gravity Vent Damper			FO-D
Blower (internal fan)			FO-FDHB5-N

Louvered OPEL C	Required	Optional	Not available
Opel Louvers – Black or	FO-OPLB		
Opel Louvers – Decorative Black	FO-OPLC		
Ash Pan Kit		FO-AP	
Gravity Vent Damper		FO-D	
Blower - Internal		FO-FDHB5-N	
Blower - Central Heat (not EPA certified)		FO-FDHB6-1*	
Thermostat kit		FO-FDHC4	
Heat Dump Kit		FO-HD	
Rock Retainer Kit for partial, full coverage or Clean Face		FO-KP3	
Gravity Vent Kit		FO-V2 (1 or 2)	

* Possible add-ons: FO-FDHC6, FO-FDHCZ1, FO-FDHCZ2

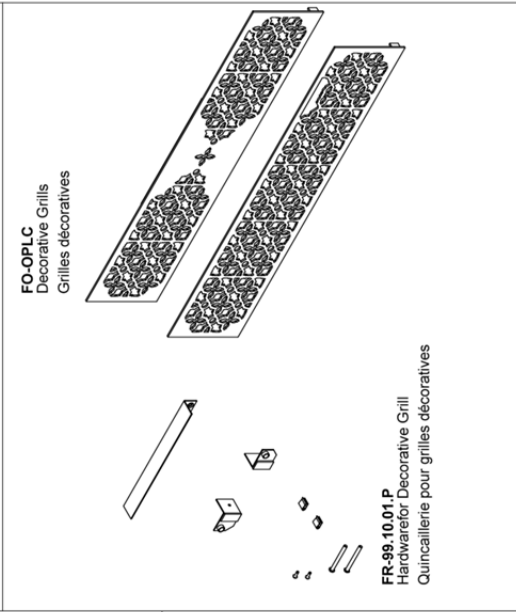
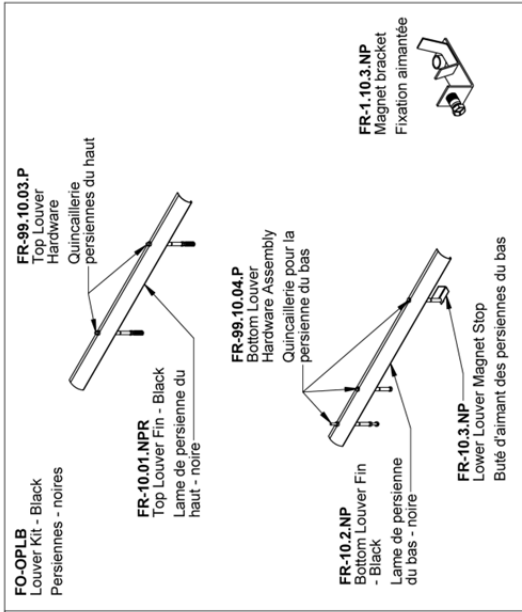
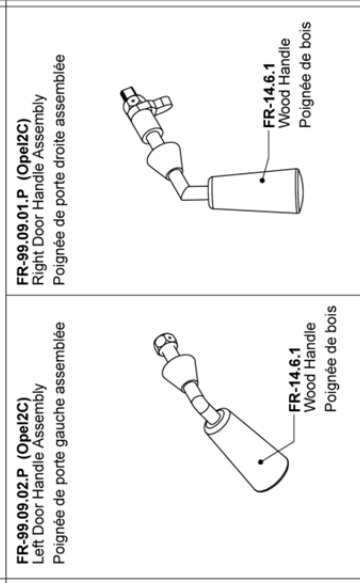
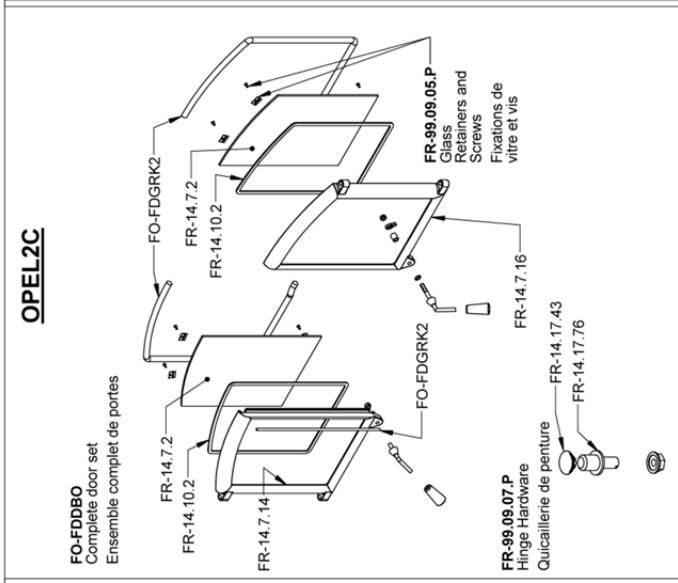
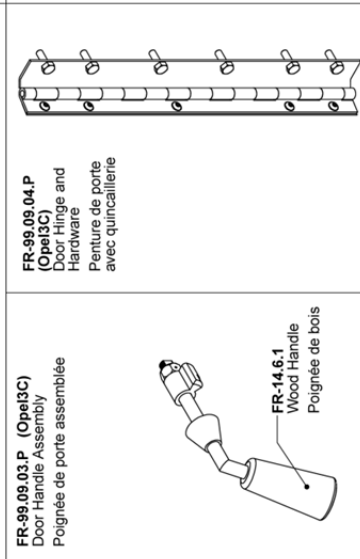
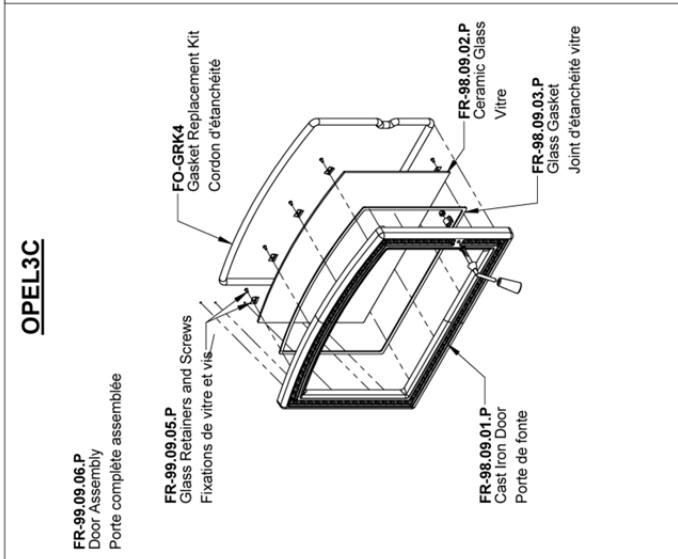
REPLACEMENT PARTS



OPEL2C & OPEL3C



REV.	00
DATE	2014-02-21





LIMITED WARRANTY

30 Years Limited Warranty

All RSF Woodburning Fireplaces models are warranted against defects in material and workmanship for a period of 30 years, subject to the following conditions:

During the first year **RSF Woodburning Fireplaces** will repair or replace, at our option, any parts which upon examination by an authorized **RSF Woodburning Fireplaces** representative, are found to be defective, except the parts listed in the EXCLUSIONS portion of this warranty. **RSF Woodburning Fireplaces** will also pay reasonable labor costs for the repair work.

During the second through fifth years **RSF Woodburning Fireplaces** will repair or replace, at our option, any parts which upon examination by an authorized **RSF Woodburning Fireplaces** representative, are found to be defective, except the parts listed in the EXCLUSIONS portion of this warranty. **RSF Woodburning Fireplaces** shall not be responsible for any labor costs associated with this repair work.

During the sixth through thirtieth years **RSF Woodburning Fireplaces** will provide replacement parts, if available, at 50% of the published retail price, except for the parts listed in the EXCLUSIONS portion of this warranty. **RSF Woodburning Fireplaces** shall not be responsible for any labor costs associated with this repair work.

EXCLUSIONS:

- Electrical components are warranted for one year only.
- Glass and plating.
- Damage due to normal wear and tear, such as paint discoloration, worn gaskets, eroded or cracked refractory components.
- Repairs or replacements necessitated by vandalism, neglect, abuse, over-firing, improper fuel or fuel loads, or failure to adequately service the unit, as stated in the owner's manual.
- Repairs or replacements (particularly charges for travel and labor) not authorized by **RSF Woodburning Fireplaces** in advance.

LIMITATIONS:

- All items found to be defective will be replaced or repaired upon return of the defective part to an authorized **RSF Woodburning Fireplaces** dealer. **RSF Woodburning Fireplaces** will not be responsible for freight costs related to shipping replacement parts.
- Any complete fireplace, or part thereof, that is replaced or serviced under this warranty, will be warranted for a period not exceeding the remaining term of the original warranty.
- This warranty is not transferable.
- This warranty does not apply to damage to the appliance while in transit.
- This warranty does not apply if the installation does not conform to the installation requirements in the owner's manual.
- The Catalytic Combustor is under warranty by RSF Woodburning Fireplaces for five (5) years from the date of original retail purchase. The purchaser shall pay the following share of the then current retail price for the combustor: the first two (2) years no charge, 3rd year 60%; 4th year 70%, 5th year 80%. The Catalyst must be returned to your dealer along with a completed Combustor Failure Report (available online on RSF website under the warranty section) and original proof of purchase document.

RSF Woodburning Fireplaces is free of liability for any damages caused by the appliance, as well as material and labor charges incurred in the removal or re-installation of any **RSF Woodburning Fireplaces** fireplace under this warranty. Incidental or consequential damages are not covered by this warranty.

The remedies set forth herein are exclusive, and the liability of the seller shall not exceed the price of the fireplace or part thereof upon which the liability is based.

This warranty is expressly in lieu of all other warranties expressed or implied, including the warranties of merchantability and fitness for use and all other obligations or liabilities on the part of **RSF Woodburning Fireplaces**.